

# 针型气缸 Mini Pin Cylinder

## TJP(Ø6~Ø15) Series



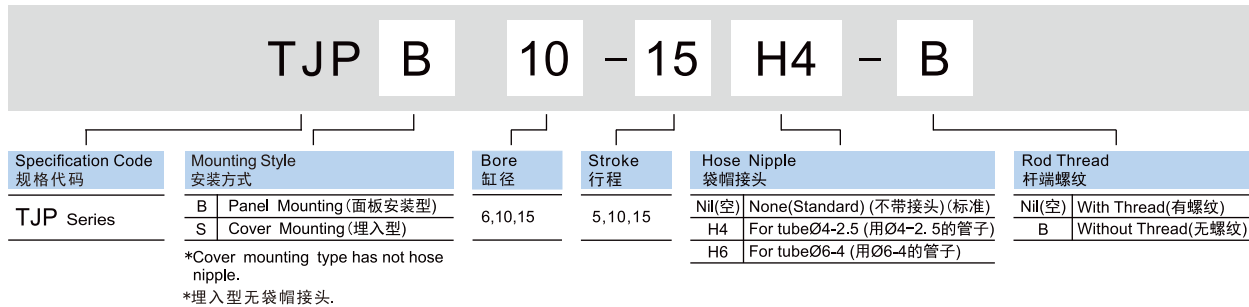
### Features(特征)

- Short-stroke cylinder designed with a shorter overall length than a conventional cylinder.
- Space saving pin cylinder for panel mounting. It miniaturizes the size of mechanical devices.
- 针形气缸的总长度比常规气缸短。
- 面板安装减少安装空间,使机械设备更为小型化。

### Common Specification(共同规格)

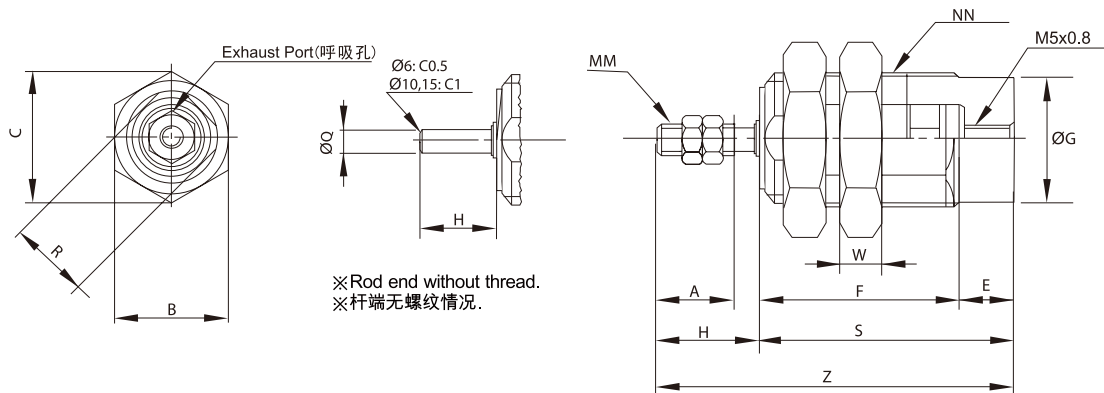
Bore(缸径)(mm)	Ø6	Ø10	Ø15
Fluid(流体)	Clean Air(洁净空气)		
Action(动作形式)	Single Acting(单动)		
Proof Press.(保证耐压力)	1.05MPa		
Max. Press.(最高使用压力)	0.7MPa		
Min. Press.(最低使用压力)	0.2MPa	0.15MPa	
Amb.Temp.(环境及流体温度)	5°C~60°C(未冻结)		
Piston Speed(活塞速度)	50~500mm/s		
Cushion(缓冲)	None(无)		
*Lubrication(润滑)	Not Required(无润滑)		
Thread Tolerance(螺纹精度)	KS2级(KS Class 2)		
Tolerance Of Stroke(行程误差)	+1.0 0		
Mounting Style(安装方式)	Panel Mounting(面板安装)		

### How To Order(型号表示方法)



### Dimensions(mm)(外形尺寸图(毫米))

#### Panel Mounting(面板安装型) TJPB



Unit:mm

Bore Size (缸径)	A	B	C	E	F			ØG	H	K	MM	NN	R	S			W	Z			ØQ
					5 <sup>ST</sup>	10 <sup>ST</sup>	15 <sup>ST</sup>							5 <sup>ST</sup>	10 <sup>ST</sup>	15 <sup>ST</sup>		5 <sup>ST</sup>	10 <sup>ST</sup>	15 <sup>ST</sup>	
Ø6	7	12	13.9	6	12.5	19.5	26.5	8.5	9	3.5	M3X0.5	M10X1.0	9	18.5	25.5	32.5	3	27.5	34.5	41.5	3
Ø10	10	19	22	6	14.5	21	28	12	12	3.5	M4X0.7	M15X1.5	13	20.5	27	34	4	32.5	39	46	5
Ø15	12	27	31	7	16.5	22.5	29	19	14	4.2	M5X0.8	M22X1.5	20	23.5	29.5	36	5	37.5	43.5	50	6

## 针型气缸

## Mini Pin Cylinder

TJP( $\varnothing 6 \sim \varnothing 15$ ) Series

## Spring Retracing Force(弹簧力) Unit:N

Bore Size (缸径) (mm)	Stroke (行程)(mm)	0 Stroke (伸出位置)	Stroke End (缩回位置)
$\varnothing 6$	5,10,15	3.92	1.47
$\varnothing 10$	5,10,15	5.98	2.45
$\varnothing 15$	5,10,15	10.79	4.41

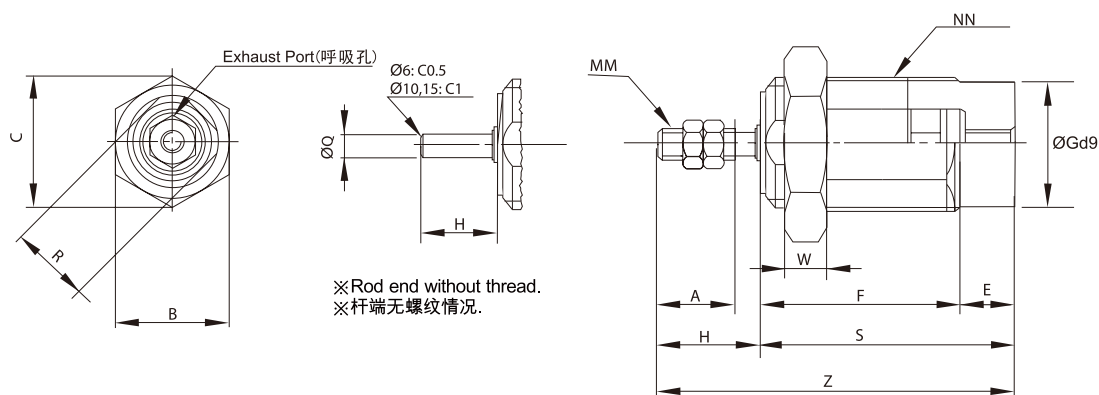
## Mass(重量表)

Unit:g

Model (型号)	Stroke(行程)(mm)		
	5	10	15
TJPB6	10.6	13.1	15.6
TJPB10	28	33	38
TJPB15	72	82	92

## Dimensions(mm)(外形尺寸图(毫米))

## Cover Mounting(埋入型) TJPS



Unit:mm

Bore Size (缸径)	A	B	C	E	F			ØG	H	K	MM	NN	R	S			W	Z			ØQ
					5 <sup>ST</sup>	10 <sup>ST</sup>	15 <sup>ST</sup>							5 <sup>ST</sup>	10 <sup>ST</sup>	15 <sup>ST</sup>		5 <sup>ST</sup>	10 <sup>ST</sup>	15 <sup>ST</sup>	
$\varnothing 6$	7	12	13.9	6	12.5	19.5	26.5	8.5	9	3.5	M3X0.5	M10X1.0	9	18.5	25.5	32.5	3	27.5	34.5	41.5	3
$\varnothing 10$	10	19	22	6	14.5	21	28	12	12	3.5	M4X0.7	M15X1.5	13	20.5	27	34	4	32.5	39	46	5
$\varnothing 15$	12	27	31	7	16.5	22.5	29	19	14	4.2	M5X0.8	M22X1.5	20	23.5	29.5	36	5	37.5	43.5	50	6