

# 微型气缸 Miniature Cylinder

## TCJ2(Ø6~Ø16) Series



### Common Specification (共同规格)

Action(动作形式)	Double Acting Single Rod (双动单杆)	Double Acting Double Rod (双动双杆)	Single Acting(Spring Return) (单动(弹簧压回))	Single Acting(Spring Extended) (单动(弹簧压出))
Fluid(流体)	Clean Air(洁净空气)			
Proof Press.(保证耐压力)	1.05Mpa			
Max. Press.(最高使用压力)	0.7Mpa			
Min. Press. (最小使用压力)	Ø6	0.12Mpa	0.15Mpa	0.2Mpa
	Ø10,Ø16	0.06Mpa	0.1Mpa	0.15Mpa
Amb.Temp(环境及流体温度)	-5~+60°C (未冻结)			
Piston Speed(活塞速度)	50~750mm/s			
Cushion(缓冲)	Rubber(STD) (橡胶缓冲(标准))			
Stroke Tolerance (行程公差)	+1.0 0			
*Lubrication(润滑)	Not Necessary(不需要)			

### Symbol(图例)

Double Acting / Single Rod 双动/单活塞杆	Double Acting / Double rod 双动/双活塞杆	Single Acting / Spring Return 单动/弹簧压回	Single Acting / Spring Extend 单动/弹簧压出

### How To Order (型号表示方法)

Nil(空) Single Rod(单活塞杆型)	6 Ø6mm	Please refer to the table. 请参考行程表	Nil(空) Double Acting(双动)	Nil(空) None(无磁性开关)
W Double Rod End(双活塞杆型)	10 Ø10mm		S Single Acting(Spring Return)(单动(弹簧压回))	A49 Reed Switch(带有接点磁性开关)
Q Low Friction(低摩擦型)	16 Ø16mm		T Single Acting(Spring Extended)(单动(弹簧压出))	M9B Reed Switch(带有接点磁性开关)
Type 类型	Bore 缸径	Stroke 行程	Action 动作形式	*Auto Switch 磁性开关
<b>TC D J2 W B 20 - 30 Y R - M9B S</b>				
Magnet 有无磁环	Mounting 安装方式	Accessory 附件	End Cover Position 后侧端盖	No. of Auto Switch 磁性开关数量
Nil(空) None(无磁环)	B Standard(标准)	I I Type Knuckle Joint (I型单肘接头)	Ø6	Nil(空) 2(个)
D Built-in Magnet(有磁环)	L Foot Type(脚座型)	Y Y Type Knuckle Joint (Y型双肘接头)	Ø10,Ø16	S 1(个)
	F Rod Side Flange(杆侧法兰)		90° from Axia (径向)	3 3(个)
	D Double Clevis(双U钩型)(Ø6除外)		Axia (轴向)	

\*Auto Switch (磁性开关) 引线长度表示记号:  
无记号-1m(标准)  
L-3m  
Z-5m

### Stroke(行程)

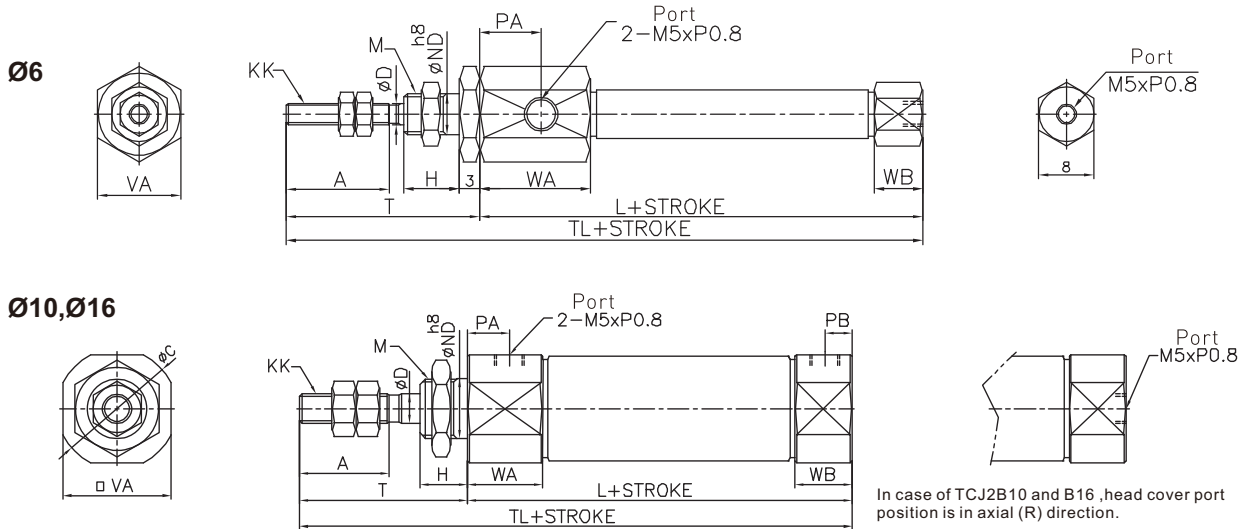
Bore (缸径)(mm)	Stroke(标准行程)		
	Double Acting (双动)	Double Rod (双活塞杆)	Single Acting (单动)
Ø6	5,10,15,20,25,30,35,40,45,50,60,70,75,100	-	15,30,45,60
Ø10	5,10,15,20,25,30,35,40,45,50,60,70,75,100,125,150	15,30,45,60	15,30,45,60
Ø16	5,10,15,20,25,30,35,40,45,50,60,70,75,100,125,150,175,200	15,30,45,60	15,30,45,60

# 微型气缸 Miniature Cylinder

## TCJ2(Ø6~Ø16) Series

### Dimensions(mm)(外形尺寸图(毫米))

#### Double Acting/Standard (双动/标准型)(B)

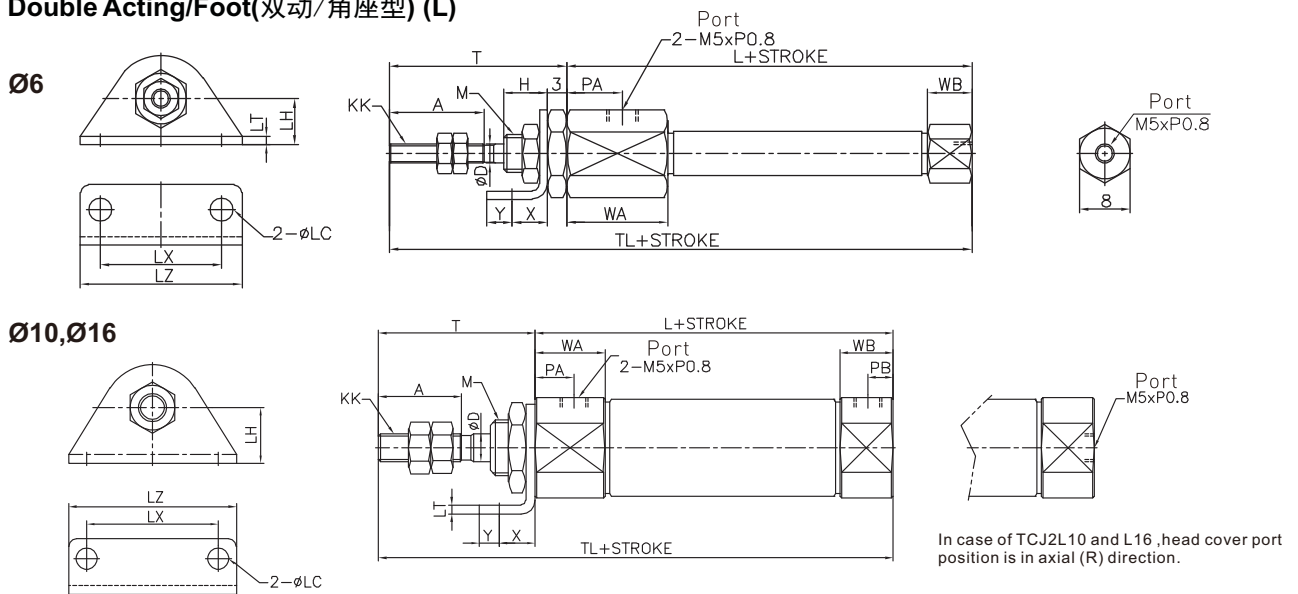


Unit : mm

Bore Size (缸径)	A	ØC	ØD	H	KK	L	M	ØND <sup>h8</sup>	PA	PB	T	TL	□VA	WA	WB
Ø6	15	14	3	8	M3x0.5	49	M6x10	6 <sup>0</sup> <sub>-0.018</sub>	14.5	-	28	77	12	16	7
Ø10	15	14	4	8	M4x0.7	46	M8x10	8 <sup>0</sup> <sub>-0.022</sub>	8	5	28	74	12	12.5	9.5
Ø16	15	20	5	8	M5x0.8	47	M10x10	10 <sup>0</sup> <sub>-0.022</sub>	8	5	28	75	18	12.5	9.5

### Dimensions(mm)(外形尺寸图(毫米))

#### Double Acting/Foot(双动/角座型)(L)



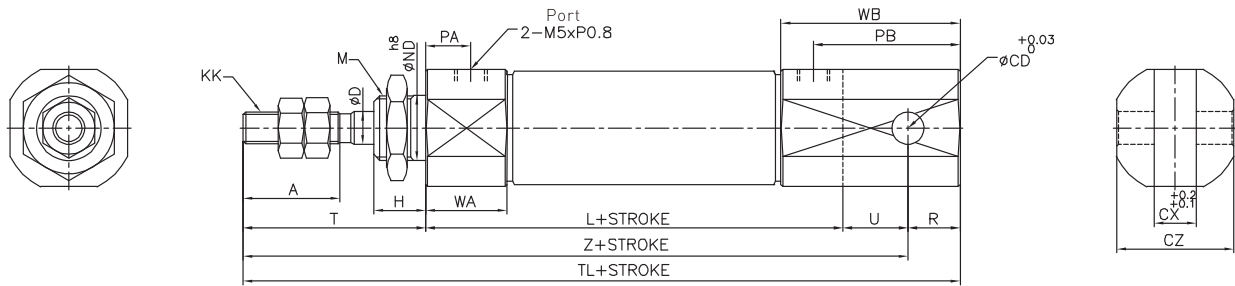
Unit : mm

Bore Size (缸径)	A	ØD	H	KK	L	ØLC	LH	LT	LX	LZ	M	PA	PB	T	TL	WA	WB	X	Y
Ø6	15	3	8	M3x0.5	49	4.5	9	1.6	24	32	M6xP1.0	14.5	-	28	77	16	7	7	5
Ø10	15	4	8	M4x0.7	46	4.5	9	1.6	24	32	M8xP1.0	8	5	28	74	12.5	9.5	7	5
Ø16	15	5	8	M5x0.8	47	5.5	14	2.3	33	42	M10xP1.0	8	5	28	75	12.5	9.5	9	5

Dimensions(mm)(外形尺寸图(毫米))

Double Acting/Double Clevis(双动/双U钩型) (D)

Ø10, Ø16



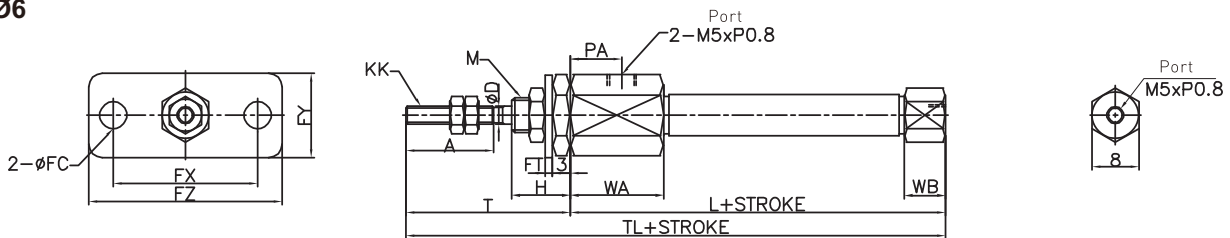
Unit : mm

Bore Size (缸径)	A	ØCD	CX	CZ	ØD	H	KK	L	M	PA	PB	R	T	TL	U	WA	WB	Z
Ø10	15	3.3	3.2	12	4	8	M4xP0.7	46	M8xP1.0	8	18	5	28	87	8	12.5	22.5	82
Ø16	15	5	6.5	18	5	8	M5xP0.8	47	M10xP1.0	8	23	8	28	93	10	12.5	27.5	85

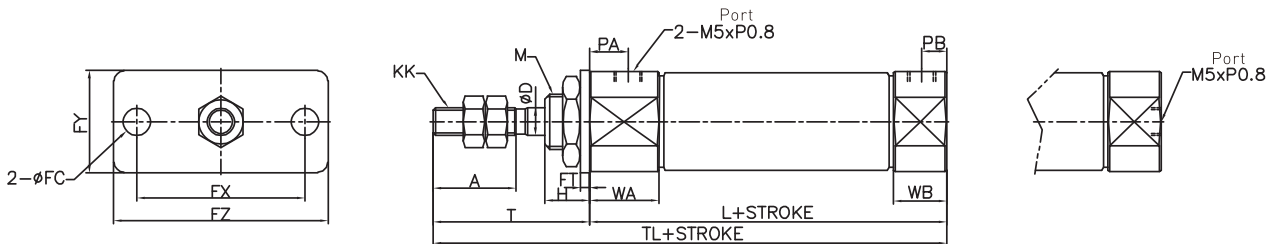
Dimensions(mm)(外形尺寸图(毫米))

Double Acting/Rod Side Flange(双动/杆侧法兰型) (F)

Ø6



Ø10, Ø16



Unit : mm

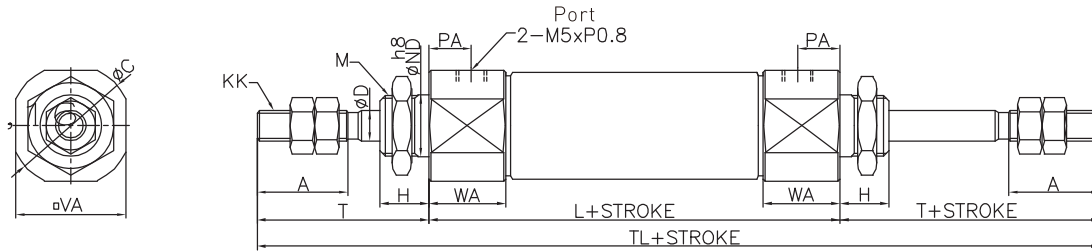
Bore Size (缸径)	A	ØD	ØFC	FT	FX	FY	FZ	H	KK	L	M	PA	PB	T	TL	WA	WB
Ø6	15	3	Ø4.5	1.6	24	14	32	8	M3XP0.5	49	M6XP1.0	14.5	-	28	77	16	7
Ø10	15	4	Ø4.5	1.6	24	14	32	8	M4XP0.7	46	M8XP1.0	8	5	28	74	12.5	9.5
Ø16	15	5	Ø4.5	2.3	33	20	42	8	M4XP0.8	47	M10XP1.0	8	5	28	75	12.5	9.5

# 微型气缸 Miniature Cylinder

## TCJ2(Ø6~Ø16) Series

### Dimensions(mm)(外形尺寸图(毫米))

#### Double Acting/Double Rod(双动/双活塞杆型) (W)

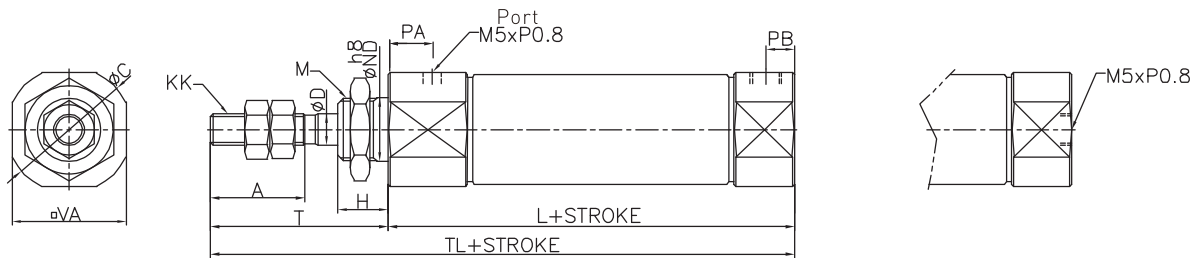


Unit : mm

Bore Size (缸径)	A	ØC	ØD	H	KK	L	M	ØND <sup>h8</sup>	PA	T	TL	□VA	WA
Ø10	15	14	4	8	M4x0.7	49	M8x1.0	8 <sup>0</sup> <sub>-0.022</sub>	8	28	105	12	12.5
Ø16	15	20	5	8	M5x0.8	50	M10x1.0	10 <sup>0</sup> <sub>-0.022</sub>	8	28	106	18	12.5

### Dimensions(mm)(外形尺寸图(毫米))

#### Single Acting Spring Return(单动弹簧压回型) (S)



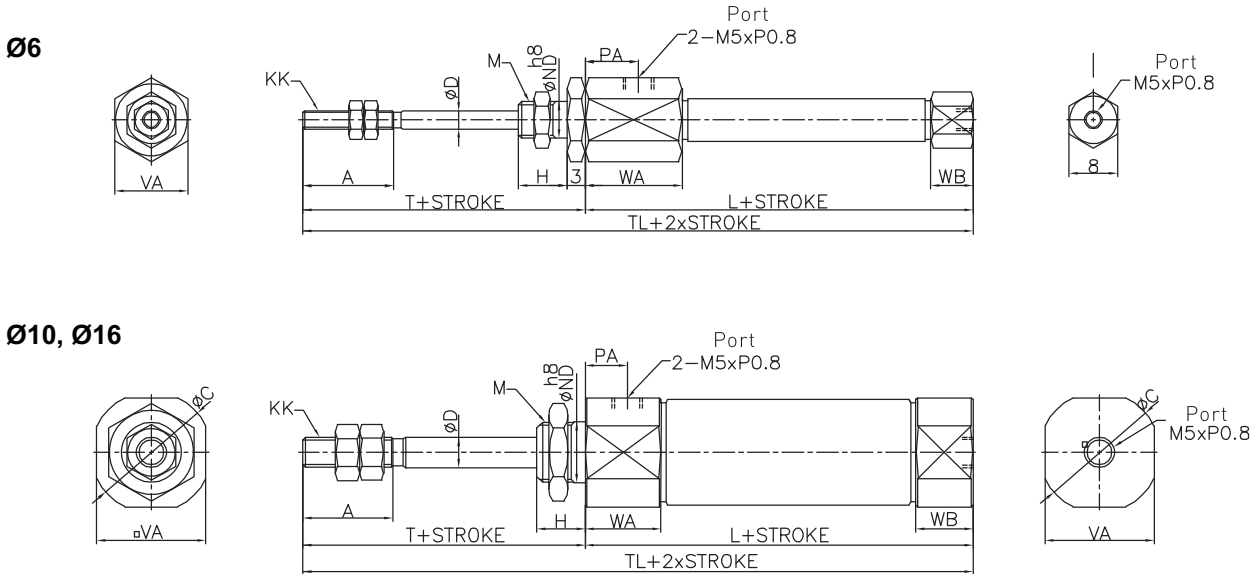
In case of TCJ2B10 and B16, head cover port position is in axial (R) direction.

Unit : mm

Bore Size (缸径)	A	ØC	ØD	H	KK	M	ØND <sup>h8</sup>	PA	PB	T	□VA	WA	WB	* L				* TL			
														5 <sup>~</sup> <sub>15</sub> ST	16 <sup>~</sup> <sub>30</sub> ST	31 <sup>~</sup> <sub>45</sub> ST	46 <sup>~</sup> <sub>60</sub> ST	5 <sup>~</sup> <sub>15</sub> ST	16 <sup>~</sup> <sub>30</sub> ST	31 <sup>~</sup> <sub>45</sub> ST	46 <sup>~</sup> <sub>60</sub> ST
Ø6	15	14	3	8	M3xP0.5	6xP1	6 <sup>0</sup> <sub>-0.018</sub>	14.5	-	28	8	16	7	39.5	48.5	52.5	66.5	67.5	76.5	80.5	94.5
Ø10	15	14	4	8	M4xP0.7	8xP1	8 <sup>0</sup> <sub>-0.022</sub>	8	5	28	12	12.5	9.5	46.5	54	66	78	74.5	82	94	106
Ø16	15	20	5	8	M5xP0.8	M10xP1.0	10 <sup>0</sup> <sub>-0.022</sub>	8	5	28	18	12.5	9.5	46	54.5	66.5	78.5	74	82.5	94.5	106.5

Dimensions(mm)(外形尺寸图(毫米))

Single Acting Spring Extend(单动弹簧压出型) (T)



Unit : mm

Bore Size (缸径)	A	ØC	ØD	H	KK	M	ØND <sup>h8</sup>	PA	T	□VA	WA	WB
Ø6	15	14	3	8	M3xP0.5	M6xP1.0	6 <sup>0</sup> <sub>-0.018</sub>	14.5	28	12	16	3
Ø10	15	14	4	8	M4xP0.7	M8xP1.0	8 <sup>0</sup> <sub>-0.022</sub>	8	28	12	12.5	5.5
Ø16	15	20	5	8	M5xP0.8	M10xP1.0	10 <sup>0</sup> <sub>-0.022</sub>	8	28	18	12.5	5.5

Unit : mm

Bore Size (缸径)	* L				* TL			
	5~15 <sup>ST</sup>	16~30 <sup>ST</sup>	31~45 <sup>ST</sup>	46~60 <sup>ST</sup>	5~15 <sup>ST</sup>	16~30 <sup>ST</sup>	31~45 <sup>ST</sup>	46~60 <sup>ST</sup>
Ø6	51.5	60.5	64.5	78.5	79.5	88.5	92.5	106.5
Ø10	48.5	56	68	80	76.5	84	96	108
Ø16	48.5	57	69	81	76.5	85	97	109

# 微型气缸

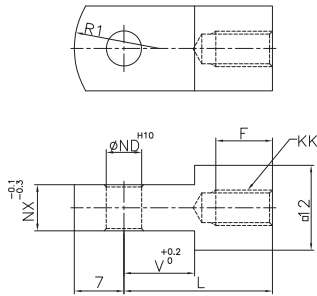
## Miniature Cylinder

### TCJ2(Ø6~Ø16) Series

#### Dimensions(mm)(外形尺寸图(毫米))

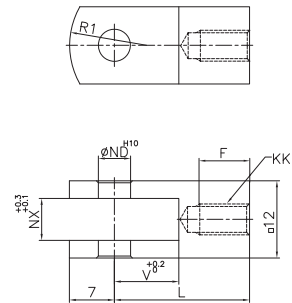
##### Accessory(附件)

##### Single knuckle joint(单肘接头)



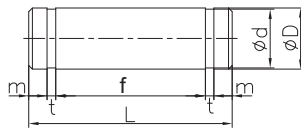
Part No.	Bore Size	F	KK	L	ØND <sup>h10</sup>	NX	R1	V
TCJ2B10-I	Ø10	8	M4xP0.7	21	3.3 <sup>+0.048/0</sup>	3.1	8	9
TCJ2B16-I	Ø16	8	M5xP0.8	25	5 <sup>+0.048/0</sup>	6.4	12	14

##### Double knuckle joint(双肘接头)



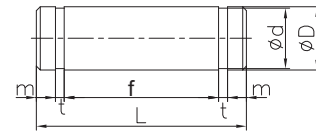
Part No.	Bore Size	F	KK	L	ØND <sup>h10</sup>	NX	R1	V
TCJ2B10-Y	Ø10	8	M4xP0.7	21	3.3 <sup>+0.048/0</sup>	3.2	8	9
TCJ2B16-Y	Ø16	11	M5xP0.8	25	5 <sup>+0.048/0</sup>	6.5	12	14

##### Clevis pin(U型钩销子)



Part No.	Bore Size	ØD <sup>d9</sup>	Ød	L	f	m	t	Retaining Ring
CP-10	Ø10	3.3 <sup>+0.030/+0.060</sup>	2	15.2	12.2	1	0.5	E2
CP-16	Ø16	5 <sup>+0.030/+0.060</sup>	4	22.7	18.3	1.5	0.7	E4

##### Knuckle pin(肘接头用销子)



Part No.	Bore Size	ØD <sup>d9</sup>	Ød	L	f	m	t	Retaining Ring
JP-10	Ø10	3.3 <sup>+0.030/+0.060</sup>	2	15.2	12.2	1	0.5	E2
JP-16	Ø16	5 <sup>+0.030/+0.060</sup>	4	16.2	12.2	1.5	0.7	E4