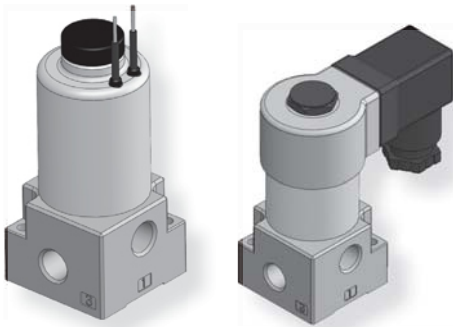


# 三通提升式/万能通口电磁阀

## 3 Port Poppet/Universal Solenoid Valve

### TVT315 Series



TVT315-023-G

TVT315-024-D

#### Feature (特征)

- A single valve with 6 valve functions. (Universal porting type)
- Continuous high frequency operation available. (Max. 10C/S)
- Non-lubrication type and with dust proof metal sealing.
- Burn proof structure, long service life.
- 集六种阀的功能为一体 (万能阀)。
- 可以进行高频度的连续操作 (MAX10C/S)。
- 金属密封方式, 耐灰尘无需给油。
- 具有阻燃功能, 使用寿命长。

Function(阀形式)		Symbol (图形符号)
Nil(无符号)	Air(空气)	
V	N.C (常开)	
	N.O (常闭)	
Function(阀形式)		Symbol (图形符号)
W	Vacuum+Air(真空+空气) 1Port - Vacuum 3Port - Air 1通-真空 2通-空气	
	Air+Vacuum(空气+真空) 1Port - Air 3Port - Vacuum 1通-空气 2通-真空	

(Table1)

#### Common Specification (共同规格)

Fluid(流体)	Air, Vacuum, Inert gas (空气、真空、惰性气体)
Type(切换方式)	NO,NC (常闭或常开)
Ambient Temp. (环境温度)	-10°C~50°C
Fluid Temp. (周围温度)	5°C~80°C
Response Time (应答时间)	ON:7ms OFF: 6.5ms
Power Consumption (电力消耗)	DC: 11W AC: 35/29VA(50/60Hz)
Max.Cycles(最大操作频率)	10c/s(次/秒)
Lubrication(润滑)	Not Required(不需要)
Manual Override(手动操作)	Non-Lock Push Button(无锁定按钮)
Coil Insulation(绝缘等级)	Class F (F级)
Allowable Voltage(容许电压变动范围)	Rated Voltage(额定电压)±10%
Effective Sectional Area(有效截面积)	11mm <sup>2</sup> (CV=0.6)

#### Applications(应用)

Type	3 Port Valve (N.C)	3 Port Valve (N.O)
Solenoid OFF		
Solenoid ON		
Type	2 Port Valve (N.C)	2 Port Valve (N.O)
Solenoid OFF		
Solenoid ON		
Type	Selector Valve	Divider Valve
Solenoid OFF		
Solenoid ON		

#### How To Order (型号表示方法)

TVT 315 - 02 3 - G

##### Specification Code 规格代码

TVT Series

##### Port Type 螺纹种类

Nil (无符号) Rc(PT)  
G G

##### Function 阀形式

Nil (无符号) Air(空气)  
V Vacuum (真空)  
W Vacuum+Air (真空+空气)  
X Air+Vacuum (空气+真空)

##### Port Size 接管口径

02 1/4"  
03 3/8"

##### Rated Voltage 额定电压

3 AC110V  
4 AC220V  
5 DC24V  
6 DC12V

##### Connection 接电方式

G Grommet(直接出线式)  
D Din Type Terminal(插座式)  
DZ Din Type Terminal(插座式)/LED&Varistor(带指示灯和过压抑制器)

\*阀体为铸件

\*Please refer to the table1. (请参考表格1).

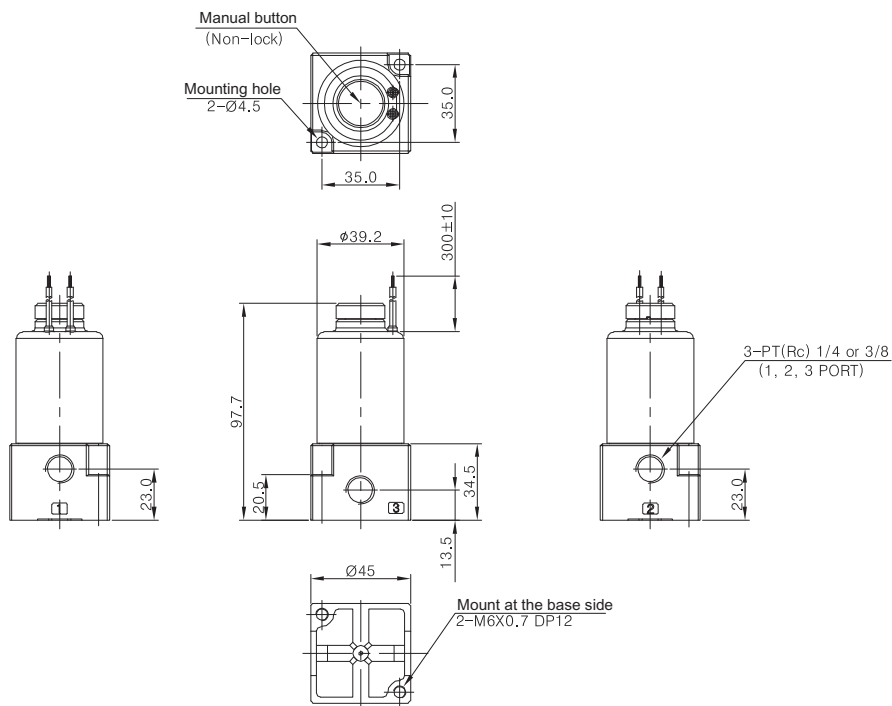
# 三通提升式/万能通口电磁阀

## 3 Port Poppet/Universal Solenoid Valve

### TVT315 Series

#### Dimensions(mm)(外形尺寸图(毫米))

##### Lead wire (G-Type)



#### Dimensions(mm)(外形尺寸图(毫米))

##### DIN Connector (D-Type)

