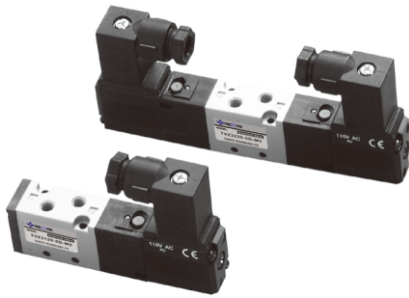
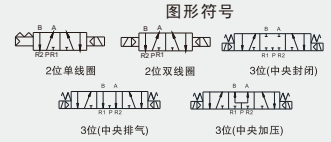


五通先导式电磁阀

5 Way Pilot Type Solenoid Valve

TVZ3000 Series



Common Specification (共同规格)

Fluid(流体)	Clean Air(洁净空气)
Ambient Temp.(环境及流体温度)	-5~+50°C(未冻结)
Lubrication*(润滑)	Not Required(不需要)
Manual Override(手动操作)	Push Button(无锁定按钮式)
Shock/Vibration(抗冲击/振动能力)	30G/5G(8.3~2000Hz)
Sealing(密封)	Dust Proof(防灰尘)

*Please Use Tubine Oil 1st-grade ISO VG32#, If Required.
若需要润滑油请使用透平1号油ISOVG32

Model No. (型号)	Specification (规格)							
	Positions (位置数)	Solenoid (电磁线圈)	Operating Press. Range (操作压力范围)(Mpa)	Response Time(ms) (反应时间)(毫秒)	Max. Cycles(c/s) (最大操作频率)(次/秒)	Port Size (接管口径)	Effective Sectional Area (有效截面积)mm ² (CV值)	Wt. (质量)(kg)
TVZ3120	2	Single(单线圈)	0.15~0.7	≤20	10	M5X0.8	3.6(0.2)	70
TVZ3220	2	Double(双线圈)	0.1~0.7	≤20	10		3.6(0.2)	110
TVZ3320	3	Double Closed Center(双中央封闭式)	0.15~0.7	≤35	10		3.2(0.18)	120
TVZ3420	3	Double Exhaust Center(双中央排气式)	0.15~0.7	≤35	3		3.2(0.18)	120
TVZ3520	3	Double Press Center(双中央加压式)	0.15~0.7	≤35	3		3.2(0.18)	120

How To Order (型号表示方法)

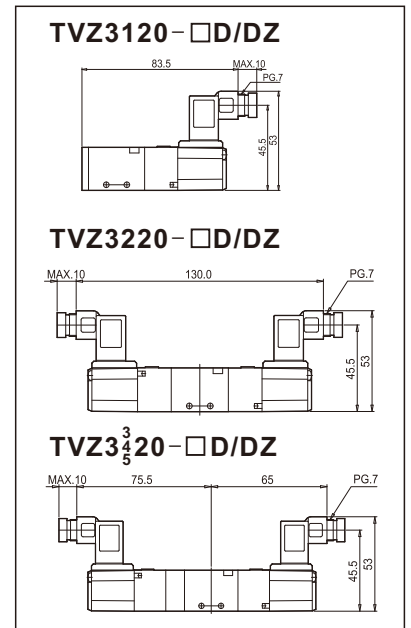
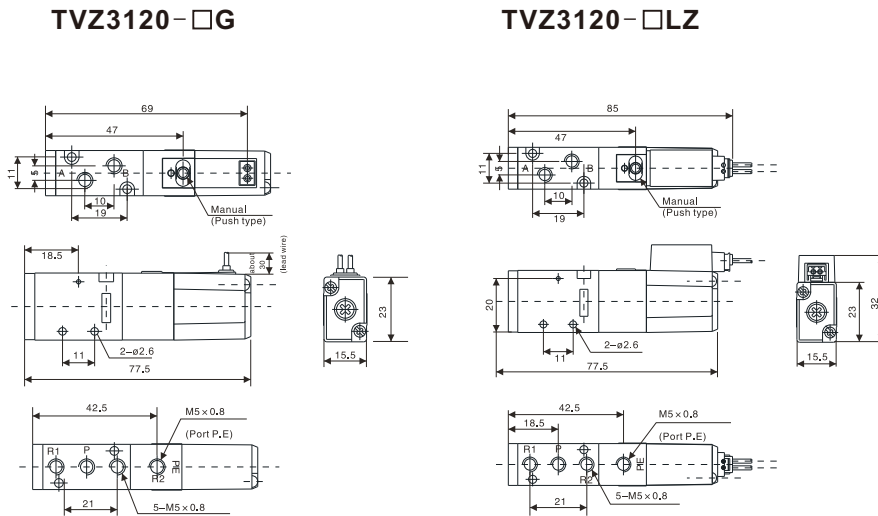
TVZ3 1 20 - 4 DZ - M5

Solenoid 电磁线圈	Voltage 电压	Connection 接电方式
1 Single(单线圈)	3 AC 110V	G Grommet(直接出线式, 线长300mm)
2 Double(双线圈)	4 AC 220V	LZ L Type Terminal /LED&Varistor (L型带灯和过压抑制器)
3 Double Closed Center(双中央封闭式)	5 DC 24V	D D Type Terminal(D型插座式)
4 Double Exhaust Center(双中央排气式)	6 DC 12V	DZ D Type Terminal /LED&Varistor (D型带灯和过压抑制器)
5 Double Press Center(双中央加压式)		

Solenoid Specification (电磁线圈规格)

Connection(接线方式)	Grommet(直接出线式)(G),DIN Terminal(插座式)(L,LZ)
*Rated Voltage(标准电压)	AC(交流):110V,220V(50Hz) DC(直流):24V
Allowable Voltage(容许电压变动范围)	Rated Voltage(额定电压)-15~+10%
Power Consumption(功率消耗)	DC:1.7W, With Indication Light(带指示灯)
Surge Suppressor(过压抑制器)	AC:Varistor(压敏电阻),DC:Diode(二极管)
Indication Lamp(指示灯)	AC:Neon(氖灯),DC:LED(发光二极管)

Dimensions(mm)(外形尺寸图(毫米))



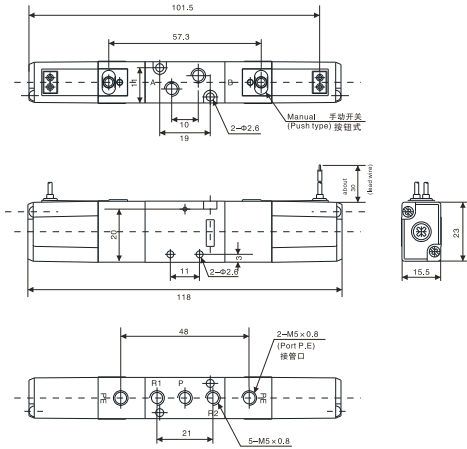
五通先导式电磁阀&汇流板

5 Way Pilot Type Solenoid Valve&Manifold

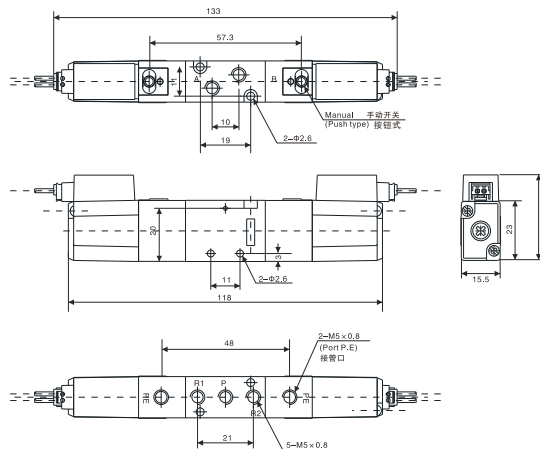
TVZ3000 Series & TVV5Z3 Series

Dimensions(mm)(外形尺寸图(毫米))

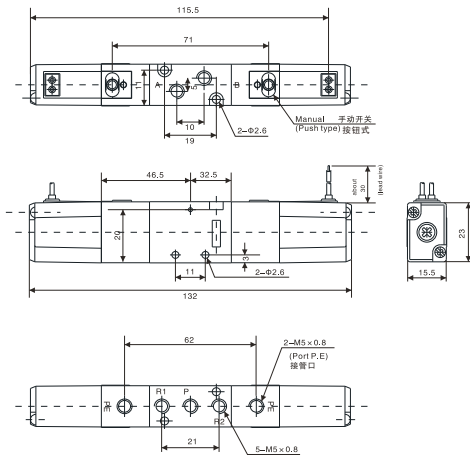
TVZ3220-□G



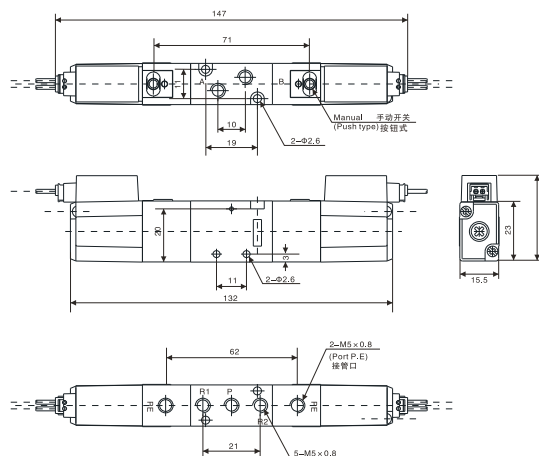
TVZ3220-□LZ



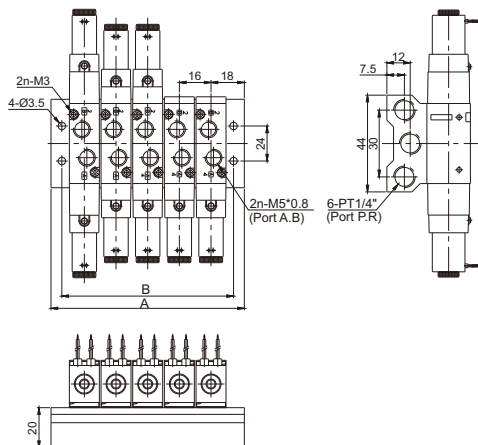
TVZ3³/₄20-□G



TVZ3³/₄20-□LZ



Manifold (汇流板)



How To Order (型号表示方法)

TVV5Z 3 - 20 - 04 1

Series
系列

3 TSVZ3000
TVZ3000

No. of Station
位置数目

02	2 Valves
03	3 Valves
20	20 Valves

N	2	3	4	5	6	7	8	9	10
A	58	74	90	106	122	138	154	170	186
B	40	56	72	88	104	120	136	152	168

N	11	12	13	14	15	16	17	18	19	20
A	202	218	234	250	266	282	298	314	330	346
B	184	200	216	232	248	264	280	296	312	320