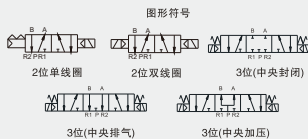


五通先导式电磁阀

5 Way Pilot Type Solenoid Valve

TSVF3000 Series



Common Specification (共同规格)

Fluid(流体)	Clean Air(洁净空气)
Ambient Temp.(环境及流体温度)	-5~+50°C(未冻结)
Lubrication*(润滑)	Not Required(不需要)
Manual Override(手动操作)	Push&Button(锁定按钮式)
Shock/Vibration(抗冲击/振动能力)	30G/5G(8.3~2000Hz)
Sealing(密封)	Dust Proof(防尘)

*Please Use Tubine Oil 1st-grade ISO VG32#, If Required.
若需要润滑油请使用透平1号油ISOVG32

Solenoid Specification (电磁线圈规格)

Connection(接线方式)	Grommet(直接出线式)(G), DIN Terminal(插座式)(D,DZ)
Rated Voltage(标准电压)	AC(交流): 110V, 220V(50Hz) DC(直流): 24V
Allowable Voltage(容许电压变动范围)	Rated Voltage(额定电压) -15~+10%
Insulation(绝缘)	Class B(B级或相同等级) 130C
Power Consumption(功率消耗)	AC(交流) Starting(启动): 5.6VA, Holding(持续): 4.5VA
	DC(直流) 1.8W/2W With Indication Light(带指示灯)
Surge Suppressor(过压抑制器)	AC: Varistor(压敏电阻), DC: Diode(二极管)
Indication Lamp(指示灯)	AC: Neon(氖灯), DC: LED(发光二极管)

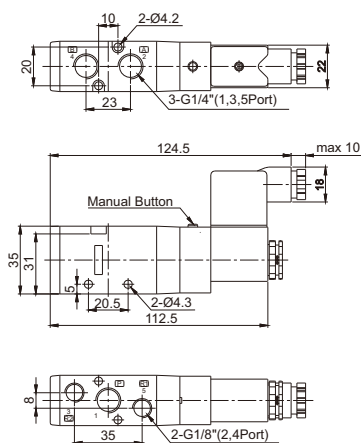
How To Order (型号表示方法)

TSVF3 1 3 0-4 G -02- S

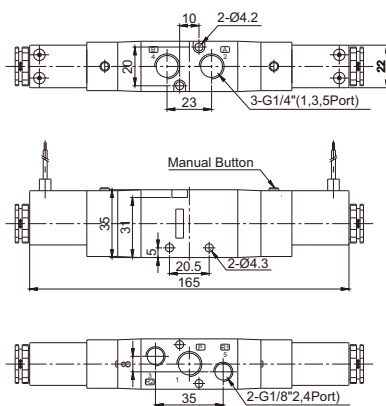
Solenoid 电磁线圈	Body Type 阀安装	Voltage 电压	Connection 接电方式	Manual Override 手动操作
1 Single(单线圈)	3 Body Ported (直接安装型)	3 AC110V	G Grommet (直接出线式)	N(空) 无锁定按钮
2 Double(双线圈)		4 AC220V	S 带锁定按钮	
3 Double Closed Center (双中央封闭式)	4 Body Ported (直接安装型)	5 DC24V	GZ Grommet&LED (直接出线式带指示灯)	
4 Double Exhaust Center (双中央排气式)		6 DC12V	D D Type Terminal (D型插座式)	
5 Double Press Center (双中央加压式)			DZ D Type Terminal (LED&Varistor (D型带灯和过压抑制器))	

Dimensions(mm)(外形尺寸图(毫米))

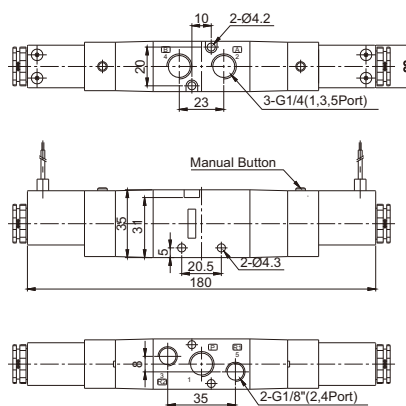
TSVF3130-□D/DZ



TSVF3230-□G



TSVF3³/₄30-□G

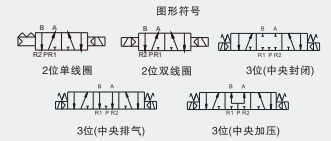


Model No. (型号)	Specification (规格)							
	Positions (位置数)	Solenoid (电磁线圈)	Operating Press. Range (操作压力范围)(Mpa)	Response Time(ms) (反应时间)(毫秒)	Max. Cycles(c/s) (最大操作频率)(次/秒)	Port Size (接管口径)	Effective Sectional Area (有效截面积) mm² (CV值)	Wt. (质量)(kg)
TSVF3130	2	Single(单线圈)	0.15~0.9	≤30	5	PT(Rc) 1/4"	18(1.0)	0.22
TSVF3230	2	Double(双线圈)	0.1~0.9	≤30	5		18(1.0)	0.3
TSVF3330	3	Double Closed Center(双中央封闭式)	0.1~0.9	≤50	3		14.4(0.8)	0.35
TSVF3430	3	Double Exhaust Center(双中央排气式)	0.1~0.9	≤50	3		14.4(0.8)	0.35
TSVF3530	3	Double Press Center(双中央加压式)	0.1~0.9	≤50	3		14.4(0.8)	0.35

五通先导式电磁阀(底座型)

5 Way Pilot Type Solenoid Valve (Base Mounted)

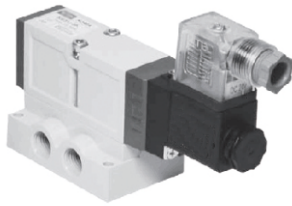
TSVF3000 Series



Common Specification (共同规格)

Function(功能)	5 Port 2 Position(两位五通)	5 Port 3 Position(三位五通)
Fluid(流体)	Compressed Air, Inert gas(压缩空气, 惰性气体)	
Port Size(接管口径)	Rc(PT) 1/4	
Eff. Sectional Area mm²(有效截面积)	19	15
Operating Pressure(使用压力)	0.15~1Mpa	0.2~1MPa
Max. Cycles(c/s)(最大工作频率)	5	3
Response Time(5bar)(反应时间)	25ms or Less	35ms or Less
Lubrication(润滑)	Not Required(无需润滑)	
Manual Override(手动操作)	Non-locking Push (Standard)(按钮式(标准), Locking (锁定式)	
Power Consumption (电力消耗)	DC	2.5W
	AC	Holding-AC(持续): 5.5VA (60Hz)
Allowable Voltage(容许电压变动范围)	Rated Voltage(额定电压)±10%	
Ambient & Fluid Temp.(环境及介质温度)	5°C~60°C	
Coil Insulation(绝缘等级)	Class F	

*Please Use Tubine Oil 1st-grade ISO VG32#, If Required.
若需要润滑油请使用透平1号油ISOVG32



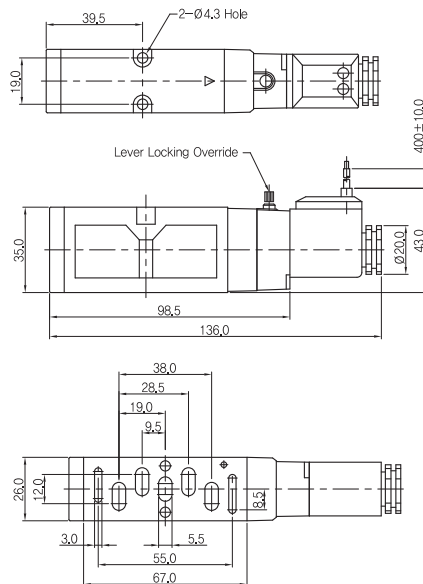
How To Order (型号表示方法)

TSVF3 1 4 0-4 G -02- S

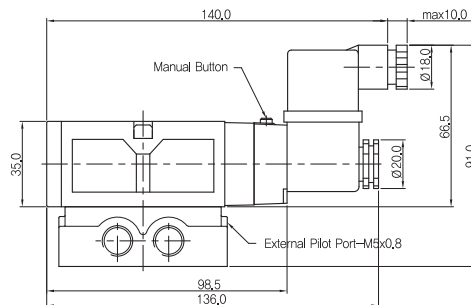
Solenoid 电磁线圈 1 Single(单线圈) 2 Double(双线圈) 3 Double Closed Center(双中央封闭式) 4 Double Exhaust Center(双中央排气式) 5 Double Press Center(双中央加压式)	Body Type 阀安装 4 Sub-Plate Type (底板安装型)	Voltage 电压 3 AC110V 4 AC220V 5 DC24V 6 DC12V	Connection 接电方式 G Grommet(直接出线式) GZ Grommet&LED(直接出线式带指示灯) D Din Type Terminal(插座式) DZ Din Type Terminal(插座式)/LED&Varistor(带指示灯和过压抑制器)	Manual Override 手动操作 Nil(空) Non-locking Push (Standard)(按钮式(标准) S Locking (锁定式)
--	--	---	---	--

Dimensions(mm)(外形尺寸图(毫米))

TSVF3140-□G



TSVF3140-□D/DZ

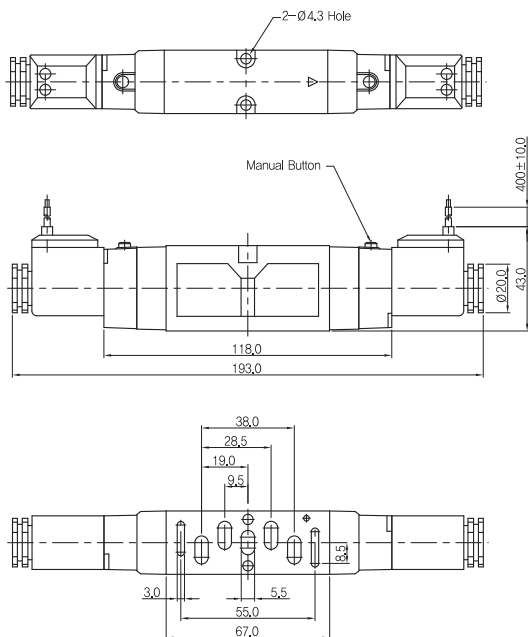


五通先导式电磁阀(底座型) 5 Way Pilot Type Solenoid Valve (Base Mounted)

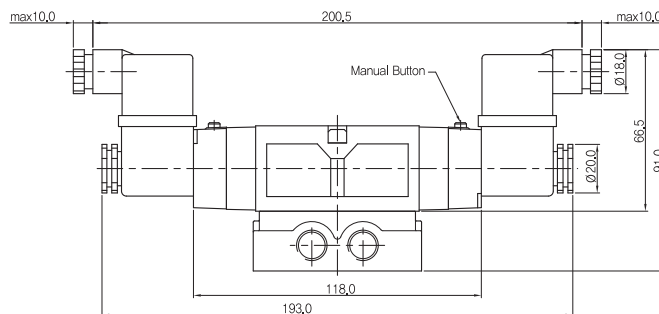
TSVF3000 Series

Dimensions(mm)(外形尺寸图(毫米))

TSVF3240-□G

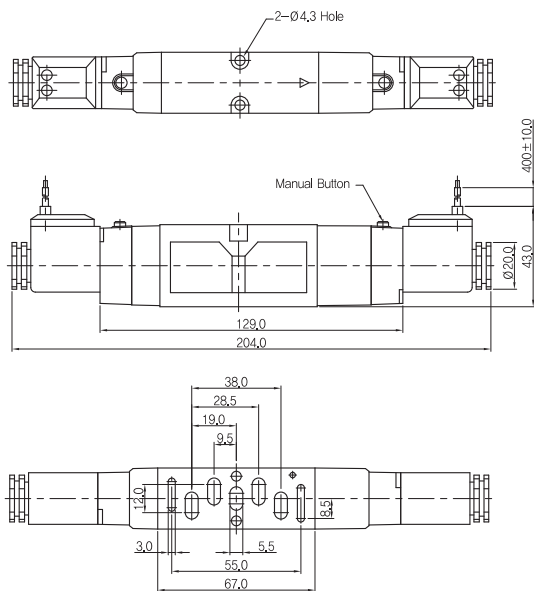


TSVF3240-□D/DZ

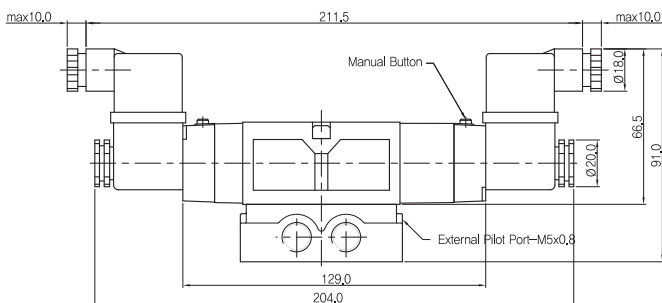


Dimensions(mm)(外形尺寸图(毫米))

TSVF3³/₅440-□G



TSVF3³/₅440-□D/DZ



五通先导式电磁阀(底座型)

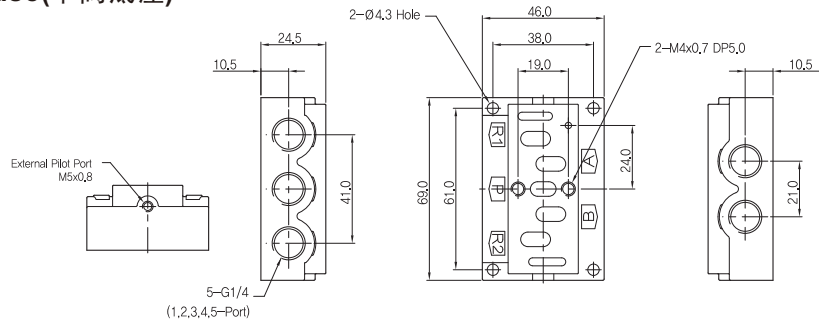
5 Way Pilot Type Solenoid Valve (Base Mounted)

TSVF3000 Series

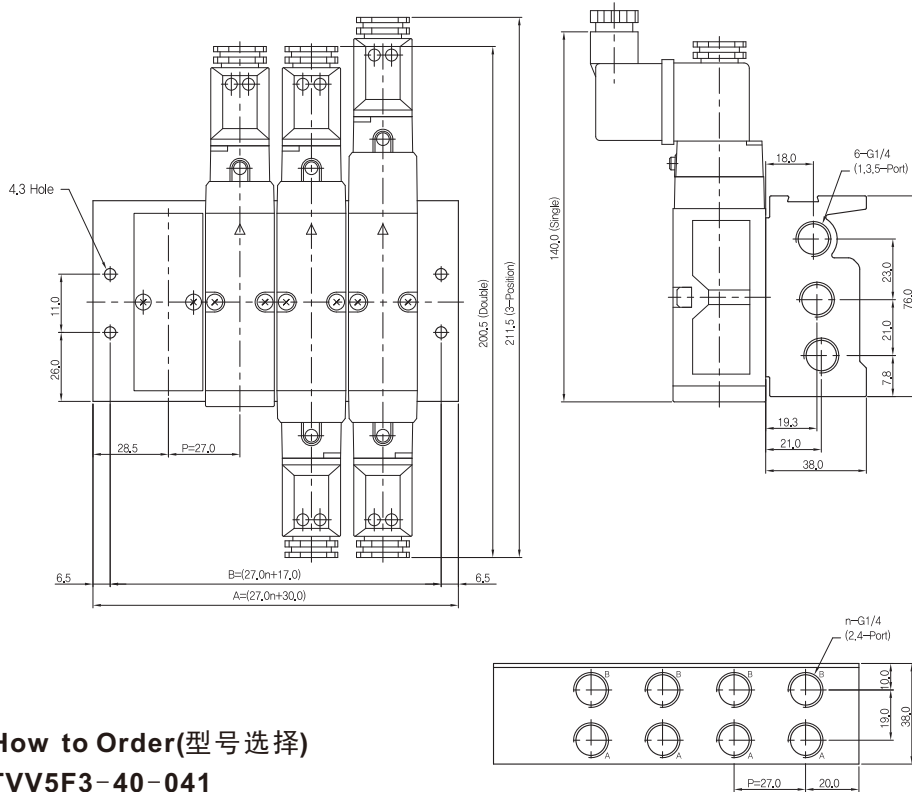
Dimensions(mm)(外形尺寸图(毫米))

Single Station Sub Base(单阀底座)

TVV5F3140



Double Modular Sub Base(集装底座)



How to Order(型号选择)

TVV5F3-40-041

- No. of Station(位置数目)
- 02=2 Valves
- 03=3 Valves
- 14=14 Valves

Station Item	2	3	4	5	6	7	8	9	10	11	12	13	14
B	71	98	125	152	179	206	233	260	287	314	341	368	395.5
A	84	111	138	165	192	219	246	273	300	327	354	381	408