

# 五通先导式电磁阀(贴面阀)

## 5 Way Pilot Type Solenoid Valve

### TSVF3134,3234 Series (Namur Valve)



#### Specification (规格)

Item (项目)	Model(型号)	Single(单电)	Double(双电)
		TSVF3134	TSVF3234
Port Size (接管口径)	G1/4		
Fluids(流体)	Compact Air&Inert Gasses(压缩空气及惰性气体)		
Pressure(bar)(压力)	1.5~10	1.0~10	
Eff.Sectional Area(CV/mm <sup>2</sup> 有效截面积)	35.0(1.8)		
Ambient & Fluid Temp.(环境及介质温度)	5~60°C (41~140)		
Response Time(5bar)(反应时间)	20ms or Less	35ms or Less	
Max.Cycles(c/s)(最大工作频率)	10	3	
Lubrication(润滑)	Not Required(无需润滑)		
Shock/Vibration(防冲击/防震)	30G~5G (8.3~200HZ)		
Protection Structure(保护结构)	Anti/Vibration(防震)		
Frequency/Rated Voltage(电压)	AC220V,AC110V(50/60Hz/DC24V)		
Coil Insulation Class(线圈种类)	F Class or Equivalent		
Allowable Voltage(容许电压变动范围)	Rated Voltage(额定电压)±10%		
Power Compact(电源)	AC	5.5VA(60Hz):Holding(维持)	
	DC	2.5W	

\*Please Use Turbine Oil 1st-grade ISO VG32#,If Required.  
若需要润滑油请使用透平1号油ISOVG32



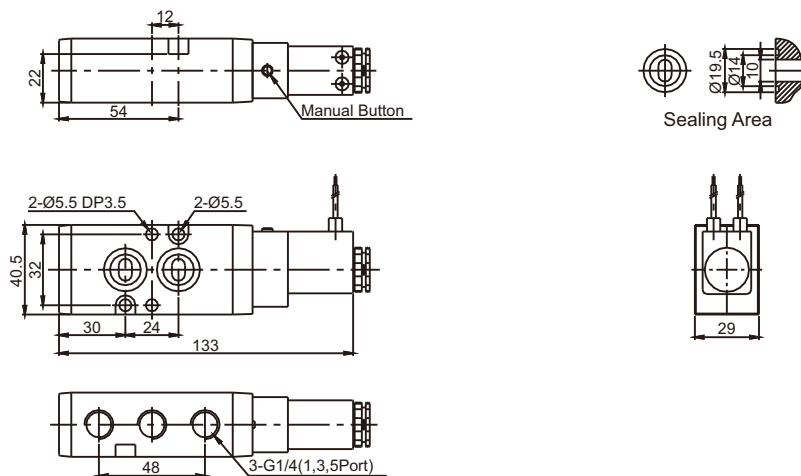
#### How To Order (型号表示方法)

TSVF3 1 3 4 - 4 G -02 S

Solenoid 电磁线圈	Body Type 阀安装	Voltage 电压	Connection 接电方式	Manual Override 手动操作
1 Single(单线圈)	3 Body Ported(直接安装型)	3 AC110V	G Grommet(直接出线式)	N(空) Non-locking Push (Standard)(按钮式)(标准)
2 Double(双线圈)		4 AC220V	GZ Grommet&LED(直接出线式带指示灯)	S Locking(锁定式)
		5 DC24V	D Din Type Terminal(插座式)	
			DZ Din Type Terminal(插座式) /LED&Varistor(带指示灯和过压抑制器)	

#### Dimensions(mm)(外形尺寸图(毫米))

##### TSVF3134-□G



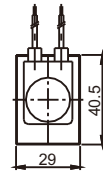
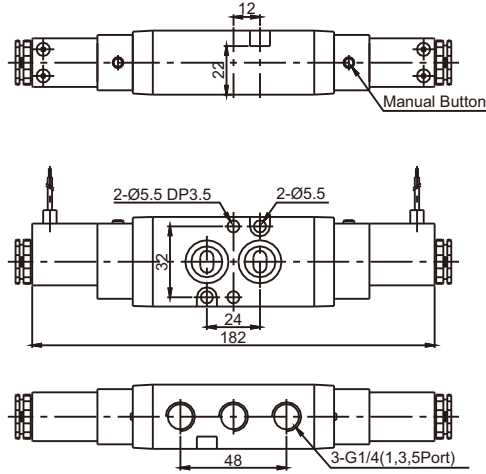
# 五通先导式电磁阀(贴面阀)

## 5 Way Pilot Type Solenoid Valve

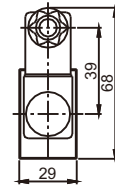
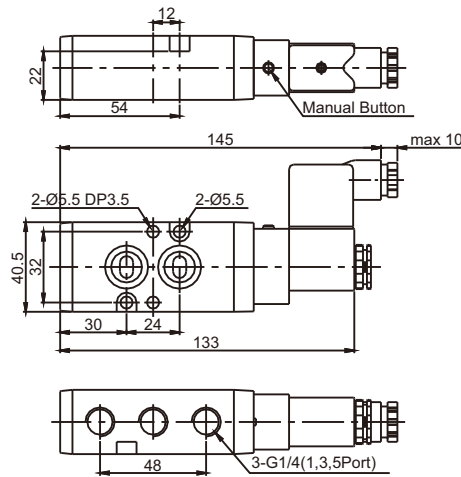
### TSVF3134,3234 Series(Namur Valve)

#### Dimensions(mm)(外形尺寸图(毫米))

##### TSVF3234-□G



##### TSVF3134-□D



##### TSVF3234-□DZ

