



- 结构紧凑，体积轻巧，安装简便，甚至可以安装到吸盘上
- 使用多级发生器产生真空，可以提供较大的真空流量。
- 外形上与M-Mini真空发生器相似，但是内部系统不同，可以达到更高的真空度。
- 外壳由高级塑料制成，可以在许多有害气体中使用。
- 可选择氟橡胶和三元乙丙橡胶做为密封材料，使其能在腐蚀性环境和酸性环境下使用。

Common Specification (共同规格)

Max.Vacuum Level(最大真空度)	-93kPa	
Max.Vacuum Flow Rate(最大真空流量)	185l/m	
Air Supply Pressure(供气压力)	4-6bar Max.7bar	
Air Supply Pressure(opt) (最佳供气压力)	ABX5-ABX20	4.5bar
	ABX30	5bar
Air Supply Type(供气类别)	Dry compressed air	
Working Temperature(工作温度)	-20°C to + 80°C	
Noise Level(噪音)	50-68dBA	

Features (产品特点)

- These pumps are compact and low weight design. Because the pumps are too small they can be mounted locally to the vacuum requirement even directly onto the back of suction cups if required.
- They use a Multi Stage Ejector principal for generating the vacuum, provide large capacity vacuum flow combined with high grade plastic, making the pumps resilient to most hazardous vapours
- ABX has the same external dimensions to that of ABM however the internal ejector system is different to enable higher levels of vacuum to be achieved.
- The pump can have seal materials options of Viton® & EPDM for corrosive and acidic, applications.

How To Order (型号表示方法)

ABX5 - B - V

① ② ③

ABX5	0.05kW
ABX10	0.10kW
ABX20	0.20kW
ABX30	0.30kW

③ Sealing (密封件)

No mark (无记号)	Standard (NBR) (标准(丁腈橡胶))
V	VITON (氟橡胶)
E	EPDM (三元乙丙橡胶)

※ Standard pump model

ABX5-A, NA, B, BA, NB, NBA, C, NC ABX10-A, NA, B, BA, NB, NBA, C, NC ABX20-B, BA, NB, NBA, C, NC ABX30-B, BA, NB, NBA, C, NC:

	Air Supply(供气)	Vacuum(真空)	Exhaust(排气)
A	M5-Φ6	G1/8"	Internal Silencer(内置消声器)
NA	M5-Φ6	NPSF1/8"	Internal Silencer(内置消声器)
B	G1/8"	G3/8"	Internal Silencer(内置消声器)
BA	G1/8"	G3/8"	Internal Silencer(内置消声器)
			Connection plate(连接板-铝)
NB	NPSF1/8"	NPSF3/8"	Internal Silencer(内置消声器)
NBA	NPSF1/8"	NPSF3/8"	Internal Silencer(内置消声器)
			Connection plate(连接板-铝)
C	G1/8"	G3/8"	External Silencer(外置消声器)
NC	NPSF1/8"	NPSF3/8"	External Silencer(外置消声器)

Technical Parameters (产品参数)

Model (型号)	Max.Vacuum Level (最大真空度) (-kPa)	Max.Vacuum Flow (最大真空流量) (l/min)	Air Consumption (空气消耗量) l/min	Noise Level (噪音) (dBA)	Min Tube Inner Φ (Within 2m) (最小软管内径 Φ (2m内))		
					Air supply (供气)	Vacuum (真空)	Exhaust (排气)
ABX5	92	32	18-22	50-65	>2	>5	>8
ABX10		63	31-40	55-68	>2	>8	>10
ABX20		125	79-89	60-68	>4	>10	>12
ABX30		185	128-137	60-68	>6	>12	>15

- ※ Remarks: type weight= (备注: 型号重量)
- ABX5-A (B,BA,NBA,C,NC) :32.5g (38g,58g,58g,38g,38g)
 - ABX10-A (B,BA,NBA,C,NC) :32g (37.5g,57.5g,57.5g,37.5g,37.5g)
 - ABX20-B (BA,NB,NBA,C,NC) :50g (70g,70g,70g,50g,50g)
 - ABX30-B (BA,NB,NBA,C,NC) :62.5g (82.5g,82.5g,82.5g,62.5g,62.5g)

迷你型真空发生器 Mini Vacuum Pump

AIRBEST Series

ABX Series

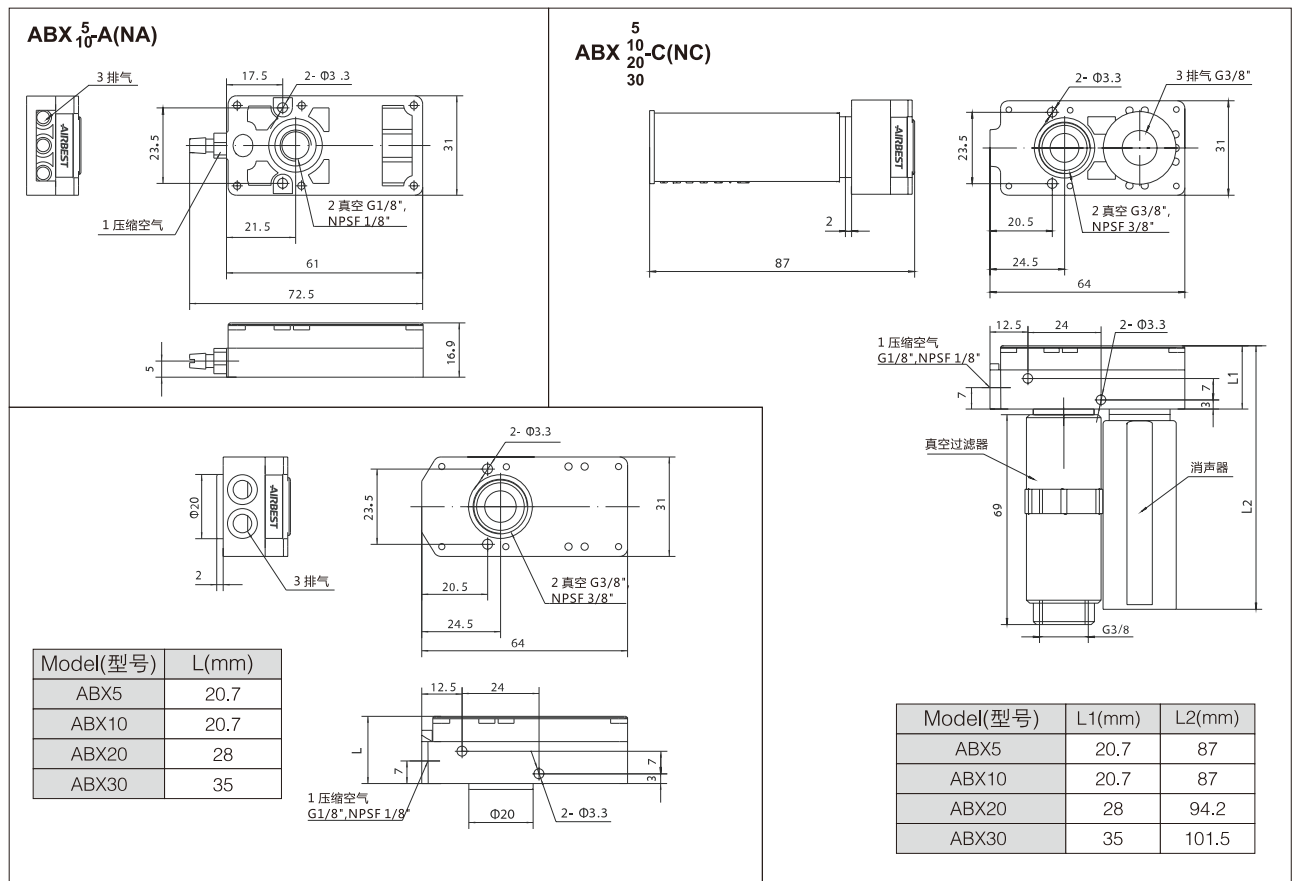
Vacuum Flow(l/min)at Different Vacuum Levels(-kPa)(不同真空度(-kPa)的真空流量(l/min))

Model (型号)	-kPa	Air Supply Pressure (供气压力)	0	10	20	30	40	50	60	70	80	90	Max. Vacuum Level (最大真空度)
ABX5	4.5bar	4.5bar	30	13	7.5	7	6	5	4	3.2	1.8	0.4	-85kPa
ABX10			52	24	18	15	13	10.5	8	6	2.5	0.8	
ABX20			100	46	34	30.5	25	21	17	10.5	5	1.6	
ABX30			180	95	55	45.5	40.5	30.5	25	19	11.5	3	
ABX5	6bar	6bar	32	20	8.5	7.5	6	5	4	3	1.5	0.15	-93kPa
ABX10			63	36	18	16	12.5	10.5	8.5	6	3.5	0.5	
ABX20			125	73	35	30	25	22	18	12	7	0.9	
ABX30			185	103	51	46	38	31	25	19	12	1.8	

Evacuation Time(s/l)to Teach Different Vacuum Levels(-kPa)(不同真空度(-kPa)的抽气时间(s/l))

Model (型号)	-kPa	Air Supply Pressure (供气压力)	10	20	30	40	50	60	70	80	90
ABX5	4.5bar	4.5bar	0.13	0.6	1.26	2.3	3.2	4.5	6.15	8.5	15.5
ABX10			0.11	0.3	0.65	1.1	1.55	2.15	2.85	4.7	10.2
ABX20			0.09	0.16	0.32	0.55	0.8	1.5	1.8	2.7	5
ABX30			0.06	0.12	0.23	0.36	0.53	0.76	1.1	1.6	2.9
ABX5	6bar	6bar	0.15	0.71	1.52	2.54	3.72	5.12	6.95	9.7	21
ABX10			0.09	0.32	0.71	1.18	1.74	2.4	3.26	4.55	10.2
ABX20			0.046	0.15	0.31	0.52	0.77	1.08	1.54	2.15	4.92
ABX30			0.025	0.123	0.23	0.38	0.58	0.82	1.11	1.54	3

Dimensions(mm)(外形尺寸图(毫米))



4

PNEUMATICS