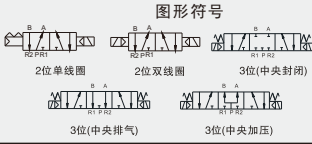


五通先导式电磁阀

5 Way Pilot Type Solenoid Valve

TSVF5000 Series



Common Specification (共同规格)

Fluid(流体)	Clean Air(洁净空气)
Ambient Temp.(环境及流体温度)	Max.(最高)50°C
Lubrication*(润滑)	Not Required(不需要)
Manual Override(手动操作)	Push&Non Lock(无锁定按钮式)
Shock/Vibration(抗冲击/振动能力)	30G/5G(8.3~2000Hz)
Sealing(密封)	Dust Proof(防尘)

*Please Use Tubine Oil 1st-grade ISO VG32#, If Required.
若需要润滑油请使用透平1号油ISOVG32

Solenoid Specification (电磁线圈规格)

Connection(接线方式)	Grommet(直接出线式)(G), DIN Terminal(插座式)(D,DZ)	
Rated Voltage(标准电压)	AC(交流): 110V, 220V(50Hz) DC(直流): 24V	
Allowable Voltage(容许电压变动范围)	Rated Voltage(额定电压)-15~+10%	
Insulation(绝缘)	Class B(B级或相同等级)130C	
Power Consumption (功率消耗)	AC(交流)	Starting(启动): 5.6VA, Holding(持续): 4.5VA
	DC(直流)	1.8W/2W With Indication Light(带指示灯)
Surge Suppressor(过压抑制器)	AC: Varistor(压敏电阻), DC: Diode(二极管)	
Indication Lamp(指示灯)	AC: Neon(氖灯), DC: LED(发光二极管)	

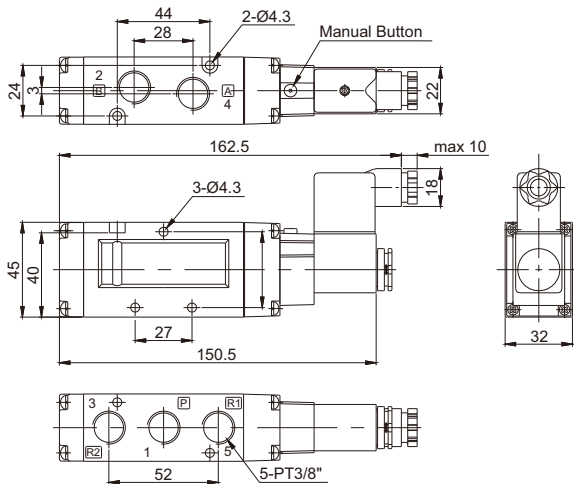
How To Order (型号表示方法)

TSVF5 1 20- 4 G -02- S

Solenoid 电磁线圈	Voltage 电压	Connection 接电方式	Button 按钮
1 Single(单线圈)	3 AC 110V	G Grommet (直接出线式)	Nil(空) 无锁定按钮
2 Double(双线圈)	4 AC 220V	GZ Grommet&LED (直接出线式带指示灯)	S 带锁定按钮
3 Double Closed Center(双中央封闭式)	5 DC 24V		
4 Double Exhaust Center(双中央排气式)		D D Type Terminal (D型插座式)	
5 Double Press Center(双中央加压式)		DZ D Type Terminal /LED&Varistor (D型带灯和过压抑制器)	

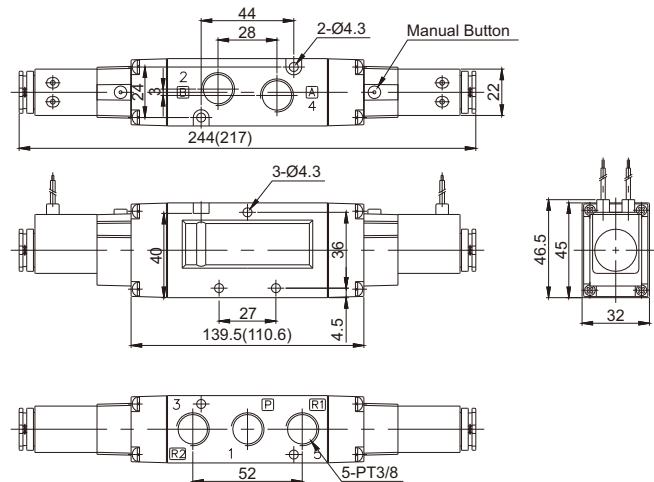
Dimensions(mm)(外形尺寸图(毫米))

TSVF5120



TSVF5220, TSVF5320, TSVF5420, TSVF5520

(图中括号内为TSVF5220尺寸)



Model No. (型号)	Specification (规格)							
	Positions (位置数)	Solenoid (电磁线圈)	Operating Press.Range (操作压力范围)(Mpa)	Response Time(ms) (反应时间)(毫秒)	Max.Cycles(c/s) (最大操作频率)(次/秒)	Port Size (接管口径)	Effective Sectional Area (有效截面积)mm ² (CV值)	Wt. (质量)(kg)
TSVF5120	2	Single(单线圈)	0.15~0.9	≤30	5	3/8"	45(2.5)	0.35
TSVF5220	2	Double(双线圈)	0.1~0.9	≤30	5		45(2.5)	0.45
TSVF5320	3	Double Closed Center(双中央封闭式)	0.15~0.9	≤50	3		36(2)	0.55
TSVF5420	3	Double Exhaust Center(双中央排气式)	0.15~0.9	≤50	3		36(2)	0.55
TSVF5520	3	Double Press Center(双中央加压式)	0.15~0.9	≤50	3		36(2)	0.55