

真空过滤器

Vacuum Filter

AZFC Series

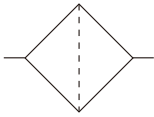
AIRBEST Series



Features(产品特点)

- Compact and low weight design
- One-touch quick fitting and convenient assembly
- Filter element is replaceable
- Adopt easy assembled and disassemble structure filter element can be replaced without tools
- Straight through type, inlet and outlet are in the same line, it is easy to assemble
- Standard type is with bracket
- 体积小、重量轻
- 快换接头式，配置方便快捷
- 滤芯可以更换
- 采用快捷的装拆结构，不需要工具便可更换滤芯
- 直通型，进口与出口在同一条线上，安装方便
- 标准型带托架

Symbol(图形符号)



Specifications(技术规格)

Model(型号)	AZFC100-04B	AZFC100-06B	AZFC200-06B	AZFC200-08B
Applicable Tube O.D.(适合管子外径)(mm)	Φ4	Φ6	Φ6	Φ8
Flow(流量)(l/min)	10	20	30	50
Fluid(使用流体)	Air, Nitrogen(空气、氮气)			
Operating Pressure(使用压力范围)	-100~0kPa			
Filtration Degree(过滤精度)	10 μm			
Operating And Ambient Temperature Range(环境及流体温度)	0~60°C(With No Freezing(但未冻结))			
Element Differential Pressure Resistance(滤芯耐压差)	1.5bar			
Applicable Tubing Material(适合软管材料)	Nylon, Soft nylon, Polyurethane, Soft Polyurethane(尼龙、软尼龙、PU软管、极软PU管)			
Filter Element(Spare Parts)(滤芯(备件))	FC-100		FC-200	

How To Order(型号表示方法)

AZFC 100 - 04 B

① ② ③

① Recommend Glow Rate(真空流量)

100	Max(最大).20l/min
200	Max(最大).50l/min

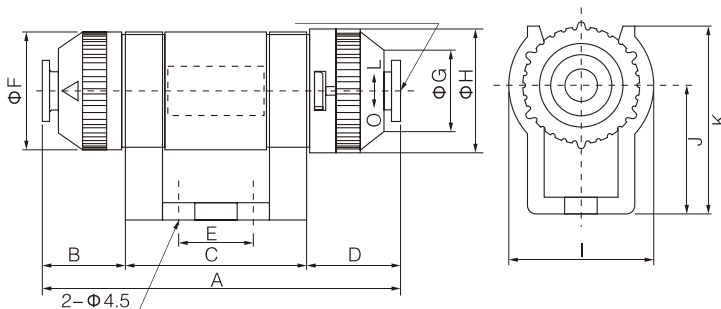
② IN OUT Applicable Tube O.D(适合管子外径)

Symbol(记号)	Tube O.D(管子外径)	Applicable Model(适合系列)
04	Φ04	AZFC100
06	Φ06	AZFC100 AZFC200
08	Φ08	AZFC200

③ With Bracket

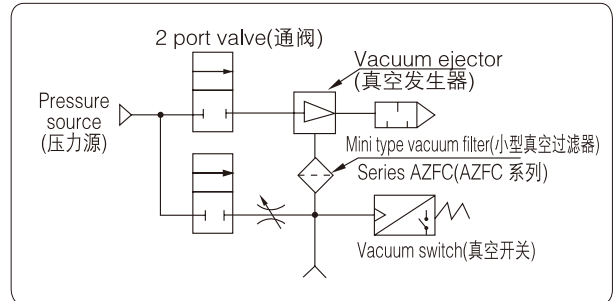
Dimensions (mm)(外形尺寸(毫米))

Applicable Tubing O.D ΦL(适合软管外径)



Application Example(应用举例)

Vacuum ejector System Application(真空发生器系统应用)



Model (型号)	AZFC-100-04B	AZFC-100-06B	AZFC-200-06B	AZFC-200-08B
A	53.2	53.2	67	67
B	9.1	9.1	15.5	15.5
C	30	30	34	34
D	14.1	14.1	17.5	17.5
E	10	10	14	14
F	18	18	22	22
G	11.6	11.6	15.6	15.6
H	19.5	19.5	23.1	23.1
I	23	23	27	27
J	20	20	24	24
K	29	29	35	35
L	4	6	6	8