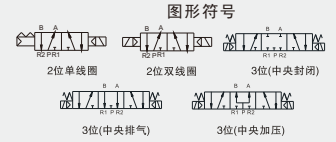


# 五通先导式电磁阀

## 5 Way Pilot Type Solenoid Valve

### TVF5000 Series



#### Common Specification (共同规格)

Fluid(流体)	Clean Air(洁净空气)
Ambient Temp.(环境及流体温度)	Max.(最高)50°C
Lubrication*(润滑)	Not Required(不需要)
Manual Override(手动操作)	Push&Non Lock(无锁定按钮式)
Shock/Vibration(抗冲击/振动能力)	30G/5G(8.3~2000Hz)
Sealing(密封)	Dust Proof(防灰尘)

\*Please Use Tubine Oil 1st-grade ISO VG32#,If Required.  
若需要润滑油请使用透平1号油ISOVG32

#### Solenoid Specification (电磁线圈规格)

Connection(接线方式)	Grommet(直接出线式)(G),DIN Terminal(插座式)(D,DZ)	
Rated Voltage(标准电压)	AC(交流):110V,220V(50Hz) DC(直流):12V,24V	
Allowable Voltage(容许电压变动范围)	Rated Voltage(额定电压)-15~+10%	
Insulation(绝缘)	Class B(B级或相同等级)	
Power Consumption(功率消耗)	AC(交流)	Starting(启动):5.6VA,Holding(持续):4.5VA
	DC(直流)	1.8W/2W With Indication Light(带指示灯)
Surge Suppressor(过压抑制器)	AC:Varistor(压敏电阻),DC:Diode(二极管)	
Indication Lamp(指示灯)	AC:Neon(氖灯),DC:LED(发光二极管)	

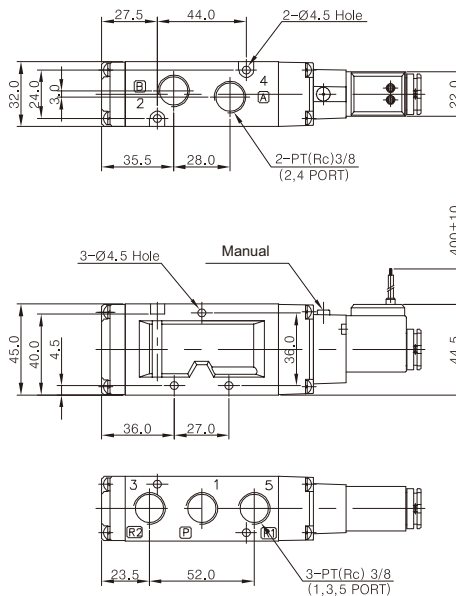
#### How To Order (型号表示方法)

TVF5 1 20- 4 G -03

Solenoid 电磁线圈	Voltage 电压	Connection 接电方式
1 Single(单线圈)	3 AC 110V	G Grommet(直接出线式)
2 Double(双线圈)	4 AC 220V	D D Type Terminal(D型插座式)
3 Double Closed Center(双中央封闭式)	5 DC 24V	DZ D Type Terminal /LED&Varistor (带灯和过压抑制器)
4 Double Exhaust Center(双中央排气式)		
5 Double Press Center(双中央加压式)		

#### Dimensions(mm)(外形尺寸图(毫米))

TVF5120-□G-03



Model No. (型号)	Specification (规格)							
	Positions (位置数)	Solenoid (电磁线圈)	Operating Press.Range (操作压力范围)(Mpa)	Response Time(ms) (反应时间)(毫秒)	Max.Cycles(c/s) (最大操作频率)(次/秒)	Port Size (接管口径)	Effective Sectional Area (有效截面积)mm <sup>2</sup> (CV值)	Wt. (质量)(kg)
TVF5120	2	Single(单线圈)	0.15~0.9	≤30	5	3/8"	45(2.5)	0.35
TVF5220	2	Double(双线圈)	0.1~0.9	≤30	5		45(2.5)	0.45
TVF5320	3	Double Closed Center(双中央封闭式)	0.15~0.9	≤50	3		36(2)	0.55
TVF5420	3	Double Exhaust Center(双中央排气式)	0.15~0.9	≤50	3		36(2)	0.55
TVF5520	3	Double Press Center(双中央加压式)	0.15~0.9	≤50	3		36(2)	0.55

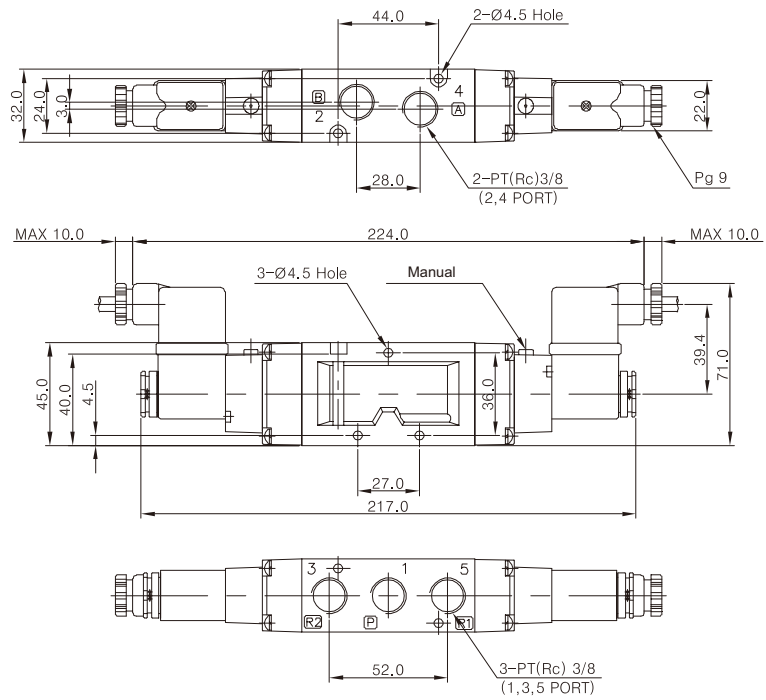
# 五通先导式电磁阀

## 5 Way Pilot Type Solenoid Valve

### TVF5000 Series

#### Dimensions(mm)(外形尺寸图(毫米))

TVF5220-□D/DZ-03



#### Dimensions(mm)(外形尺寸图(毫米))

TVF5 $\frac{3}{8}$ 20-□G-03

