



Features(产品特点)

- To filter dust and other small particles from the vacuum flow.
- Reduces the risk of operation breakdown or stoppage in the pump.
- Replaceable filter element.
- Available with special filter element with increased filter area.
- 过滤从进气口吸入的灰尘和其他杂质
- 减少真空泵运行中断或运行停止的危险
- 可拆换的过滤元件
- 可用特殊滤芯提高过滤面积

How To Order(型号表示方法)

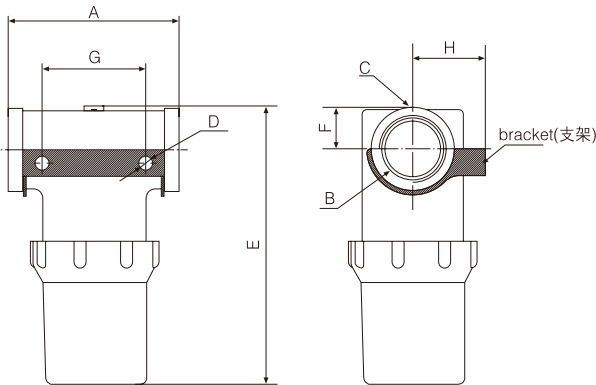
ABF - 10  
①

① Model(型号)	
ABF-10	G3/8"
ABF-15	G1/2"
ABF-20	G3/4"
ABF-25	G1"
ABF-40	G1 1/2"

Specifications(技术规格)

		ABF-10	ABF-15	ABF-20	ABF-25	ABF-40
Pressure Range(压力范围)	bar	-1~0bar				
Material(材质)		PA, PC, PE				
Temperature Range(温度范围)	°C	-20~80				
Removal Efficiency(过滤精度)	μm	10				
Weight(重量)	g	70	168	170	424	550
Flow Nominal(公称流量)	l/m	150	900	900	2520	5100
Volume Internal(内部真空量)	cm³	45	195	205	495	675
Filter Area(过滤面积)	m²	0.003	0.010	0.010	0.019	0.023

Dimensions (mm)(外形尺寸(毫米))



Model(型号)	ABF10	ABF15	ABF20	ABF25	ABF40
A	76	91	91	126	126
B	2-G3/8"	2-G1/2"	2-G3/4"	2-G1"	2-G1 1/2"
C	NPSF1/8	NPSF1/8	NPSF1/8	NPSF1/8	NPSF1/8
D	2-Φ6.5	2-Φ8.5	2-Φ8.5	2-Φ10.5	2-Φ10.5
E	71.3	131.5	138.5	167	209.5
F	14	16	18.5	23	31
G	45	50	50	80	80
H	27	40	40	56	56

How To Order(型号表示方法)

F - 10  
①

① Model(型号)	
F10	3/8"
F20	1/2" & 3/4"
F25	1"
F40	1 1/2"

Technical Data Of Filter Element(滤芯规格)

		F-10	F-20	F-25	F-40
Weight(重量)	g	7	26	50	74
Filter Area(过滤面积)	m²	0.003	0.010	0.019	0.023
Removal Efficiency(过滤精度)	μm	10	10	10	10

Remarks: Filter element 1/2" & 3/4"(special)、1 1/2"(special) are optional. Their removal efficiency is 5

备注: 可选滤芯1/2" & 3/4"(特殊)、滤芯1 1/2"(特殊) (过滤精度5 μm和80 μm)