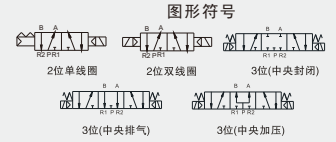


五通先导式电磁阀

5 Way Pilot Type Solenoid Valve

TVF8000 Series



Common Specification (共同规格)

Fluid(流体)	Clean Air(洁净空气)
Ambient Temp.(环境及流体温度)	-10~60°C(不冻结条件下)
Lubrication*(润滑)	Not Required(不需要)
Manual Override(手动操作)	Push & Non Lock(无锁定按钮式)
Sealing(密封)	Dust Proof(防尘)

*Please Use Turbine Oil 1st-grade ISO VG32#, If Required.
若需要润滑油请使用透平1号油ISOVG32

Solenoid Specification (电磁线圈规格)

Connection(接线方式)	Grommet(直接出线式)(G), DIN Terminal(插座式)(D, DZ)	
Rated Voltage(标准电压)	AC(交流): 110V, 220V(50Hz) DC(直流): 12V, 24V	
Allowable Voltage(容许电压变动范围)	Rated Voltage(额定电压) -15~+10%	
Insulation(绝缘)	Class B(B级或相同等级)	
Power Consumption(功率消耗)	AC(交流)	Starting(启动): 5.6VA, Holding(持续): 4.5VA
	DC(直流)	1.8W

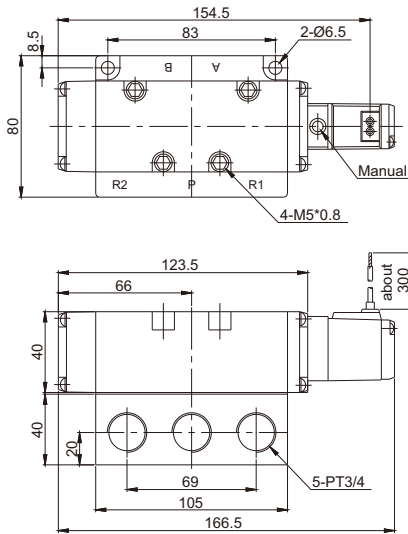
How To Order (型号表示方法)

TVF8 1 20- 4 G - 06

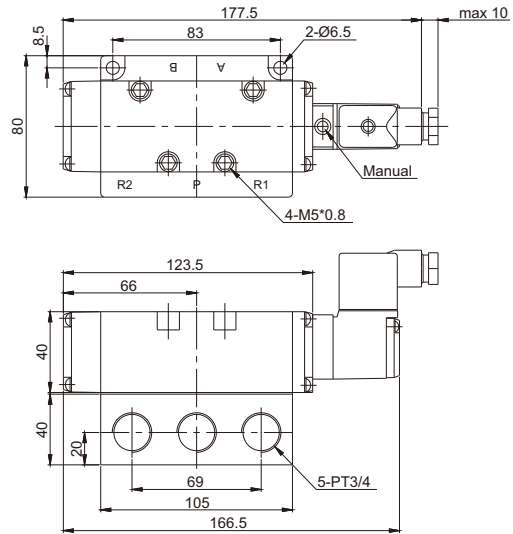
Solenoid 电磁线圈	Voltage 电压	Connection 接电方式	Port Size 接管口径
1 Single(单线圈)	3 AC 110V	G Grommet(直接出线式)	06 3/4"
2 Double(双线圈)	4 AC 220V		
3 Double Closed Center(双中央封闭式)	5 DC 24V	D D Type Terminal(D型插座式)	
4 Double Exhaust Center(双中央排气式)	6 DC 12V		
5 Double Press Center(双中央加压式)		DZ D Type Terminal(LED&Varistor(D型带灯和过压抑制器))	

Dimensions(mm)(外形尺寸图(毫米))

TVF8120-□G



TVF8120-□D/DZ



Model No. (型号)	Specification (规格)						
	Positions (位置数)	Solenoid (电磁线圈)	Operating Press. Range (操作压力范围)(Mpa)	Response Time(ms) (反应时间)(毫秒)	Max. Cycles(c/s) (最大操作频率)(次/秒)	Port Size (接管口径)	Effective Sectional Area (有效截面积) mm² (CV值)
TVF8120	2	Single(单线圈)	0.15~0.99	≤45	5	3/4"	90(5.0)
TVF8220	2	Double(双线圈)	0.1~0.99	≤25	5		90(5.0)
TVF8320	3	Double Closed Center(双中央封闭式)	0.15~0.99	≤55	3		70(3.89)
TVF8420	3	Double Exhaust Center(双中央排气式)	0.15~0.99	≤55	3		70(3.89)
TVF8520	3	Double Press Center(双中央加压式)	0.15~0.99	≤55	3		70(3.89)

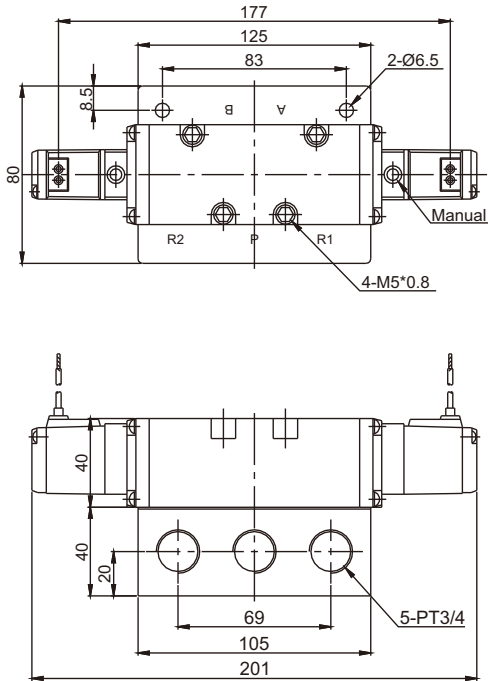
五通先导式电磁阀

5 Way Pilot Type Solenoid Valve

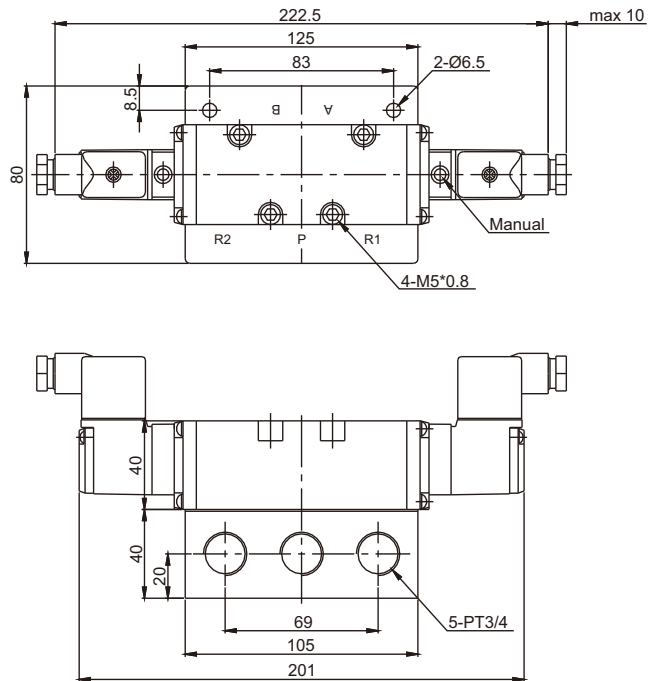
TVF8000 Series

Dimensions(mm)(外形尺寸图(毫米))

TVF8220-□G

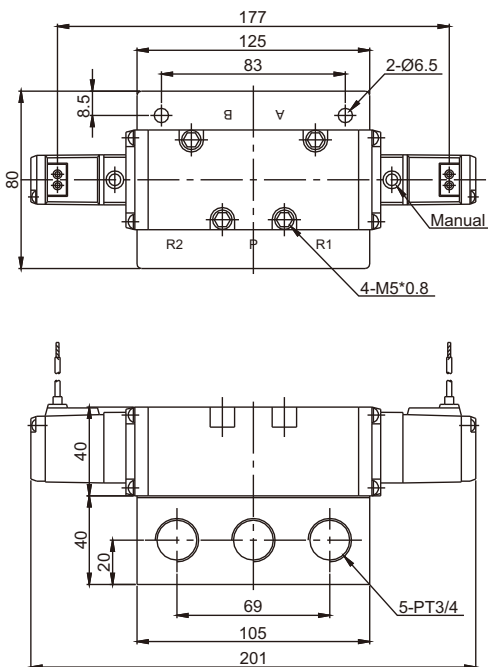


TVF8220-□D/DZ



Dimensions(mm)(外形尺寸图(毫米))

TVF8³/₄20-□G-06



TVF8³/₄20-□D/DZ-06

