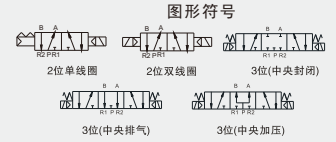


# 五通先导式电磁阀

## 5 Way Pilot Type Solenoid Valve

### TVF9000 Series



#### Common Specification (共同规格)

Fluid(流体)	Clean Air(洁净空气)
Ambient Temp.(环境及流体温度)	5~60°C
Lubrication*(润滑)	Not Required(不需要)
Manual Override(手动操作)	Push(Standard)(按钮式)(标准)
Sealing(密封)	Dust Proof(防灰尘)

\*Please Use Tubine Oil 1st-grade ISO VG32#,If Required.  
若需要润滑油请使用透平1号油ISOVG32

#### Solenoid Specification (电磁线圈规格)

Connection(接线方式)	Grommet(直接出线式)(G),DIN Terminal(插座式)(D,DZ)	
Rated Voltage(标准电压)	AC(交流):110V,220V(50/60Hz) DC(直流):24V	
Allowable Voltage(容许电压变动范围)	Rated Voltage(额定电压)±10%	
Insulation(绝缘)	Class F(F级或相同等级)	
Power Consumption(功率消耗)	AC(交流)	Starting(启动):5.6VA,Holding(持续):4.5VA
	DC(直流)	2.5W

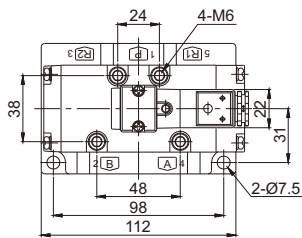
#### How To Order (型号表示方法)

TVF9 1 20- 4 G - 04

Solenoid 电磁线圈	Voltage 电压	Connection 接电方式	Port Size 接管口径
1 Single(单线圈)	3 AC 110V	G Grommet (直接出线式)	04 1/2"
2 Double(双线圈)	4 AC 220V		06 3/4"
3 Double Closed Center(双中央封闭式)	5 DC 24V	D D Type Terminal (D型插座式)	
4 Double Exhaust Center(双中央排气式)		DZ D Type Terminal ILED&Varistor (D型带灯和过压抑制器)	
5 Double Press Center(双中央加压式)			

#### Dimensions(mm)(外形尺寸图(毫米))

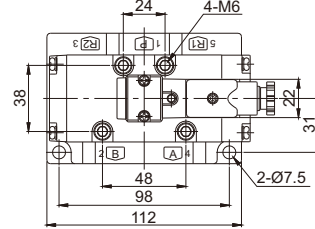
##### TVF9120-□G



##### Port Size of Mark "G"

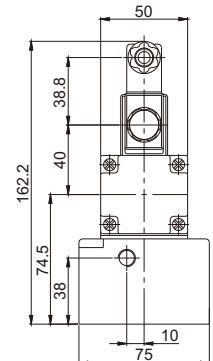
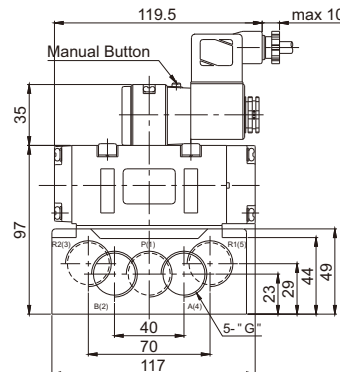
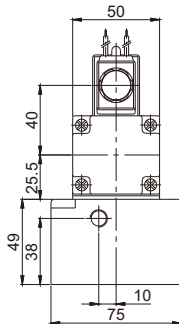
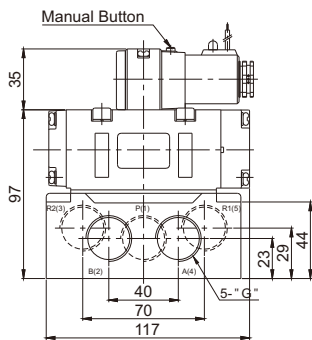
A(4),B(2)	P(1)	R1(5),R2(3)
G1/2	G1/2	G1/2
G3/4	G3/4	G3/4

##### TVF9120-□D/DZ



##### Port Size of Mark "G"

A(4),B(2)	P(1)	R1(5),R2(3)
G1/2	G1/2	G1/2
G3/4	G3/4	G3/4



Model No. (型号)	Specification (规格)						
	Positions (位置数)	Solenoid (电磁线圈)	Operating Press.Range (操作压力范围)(Mpa)	Response Time(ms) (反应时间)(毫秒)	Max.Cycles(c/s) (最大操作频率)(次/秒)	Port Size (接管口径)	Effective Sectional Area (有效截面积)mm <sup>2</sup> (CV值)
TVF9120	2	Single(单线圈)	0.15~0.8	≤25	3	1/2" 3/4"	95(5.0)
TVF9220	2	Double(双线圈)	0.1~0.8	≤25	3		95(5.0)
TVF9320	3	Double Closed Center(双中央封闭式)	0.2~0.8	≤35	1		85(4.5)
TVF9420	3	Double Exhaust Center(双中央排气式)	0.2~0.8	≤35	1		85(4.5)
TVF9520	3	Double Press Center(双中央加压式)	0.2~0.8	≤35	1		85(4.5)

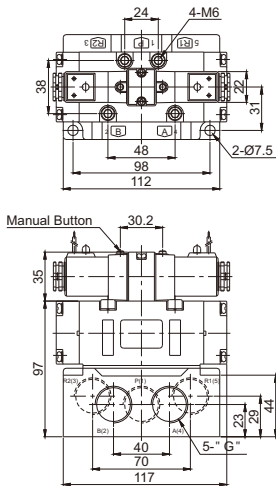
# 五通先导式电磁阀

## 5 Way Pilot Type Solenoid Valve

### TVF9000 Series

#### Dimensions(mm)(外形尺寸图(毫米))

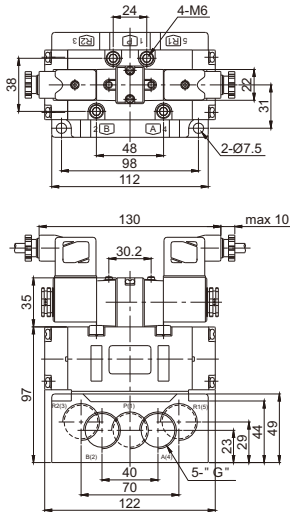
##### TVF9220-□G



Port Size of Mark "G"

A(4),B(2)	P(1)	R1(5),R2(3)
G1/2	G1/2	G1/2
G3/4	G3/4	G3/4

##### TVF9220-□D/DZ

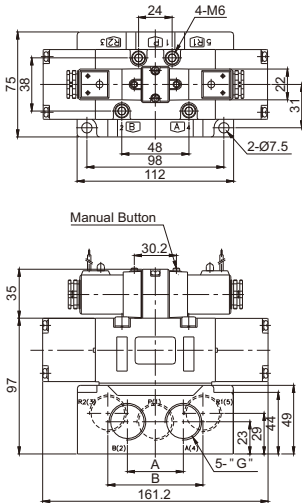


Port Size of Mark "G"

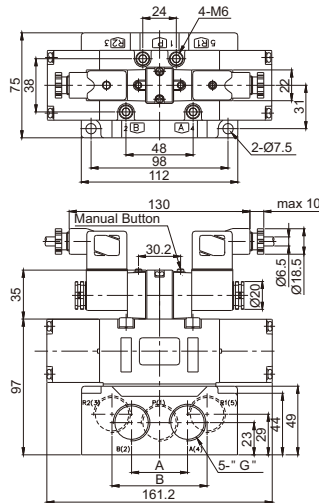
A(4),B(2)	P(1)	R1(5),R2(3)
G1/2	G1/2	G1/2
G3/4	G3/4	G3/4

Port Size of Mark "G"

A(4),B(2)	P(1)	R1(5),R2(3)
G1/2	G1/2	G1/2
G3/4	G3/4	G3/4



- TVF9320-□G
- TVF9420-□G
- TVF9520-□G

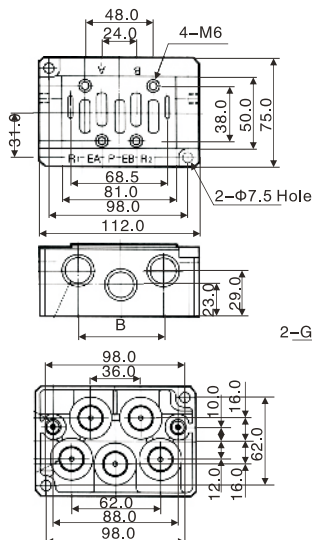


Port Size of Mark "G"

A(4),B(2)	P(1)	R1(5),R2(3)
G1/2	G1/2	G1/2
G3/4	G3/4	G3/4

- TVF9320-□D/DZ
- TVF9420-□D/DZ
- TVF9520-□D/DZ

#### TVF9000 Sub Base (ISO2 Sub Base)



Port Size of Mark "G"

Model	A(4),B(2)	P(1)	R1(5),R2(3)
ISO2 1/2	G1/2	G1/2	G1/2
ISO2 1/4	G3/4	G3/4	G3/4

