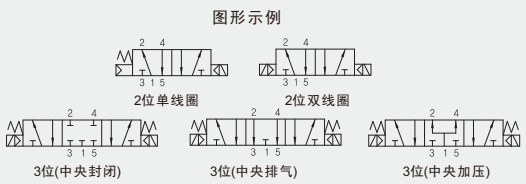


三通/五通先导式电磁阀

3 Way /5 Way Pilot Type Solenoid Valve

TSM700/TSM7000 Series



Common Specification (共同规格)

Function(功能)	3 Port 2 Position(两位三通)	5 Port 3 Position(三位五通)
	5 Port 2 Position(两位五通)	
Fluid(流体)	Compressed Air, Inert gas(压缩空气, 惰性气体)	
Eff. Sectional Area (有效截面积)	16mm ²	12mm ²
Operating Pressure(使用压力)	0.15~0.7Mpa	0.2~0.7Mpa
Max. Cycles(最大工作频率)	8c/s	5c/s
Response Time(5bar)(反应时间)	25ms or Less	35ms or Less
Lubrication(润滑)	Not Required(无需润滑)	
Manual Override(手动操作)	Push Button (Standard)(按钮式)(标准), Lever Lock (锁定式)	
Power Consumption (电力消耗)	Holding-DC(持续) : 0.65W(24V:27.0mA/12V:54.0mA)	
Allowable Voltage(容许电压变动范围)	Rated Voltage(额定电压)±10%	
Ambient & Fluid Temp.(环境及介质温度)	5°C~60°C	
Coil Insulation(绝缘等级)	Class F or Equivalent(F级或相同级别)	

- 1 Normally Closed(常闭)
- 2 Normally Open(常开)
- 3 Double(双电)

*Please Use Tubine Oil 1st-grade ISO VG32#, If Required.
若需要润滑油请使用透平1号油ISOVG32

How To Order (型号表示方法)

3 Way Point
3通型 TSM7 1 3* - 5 LZ - 02 - S

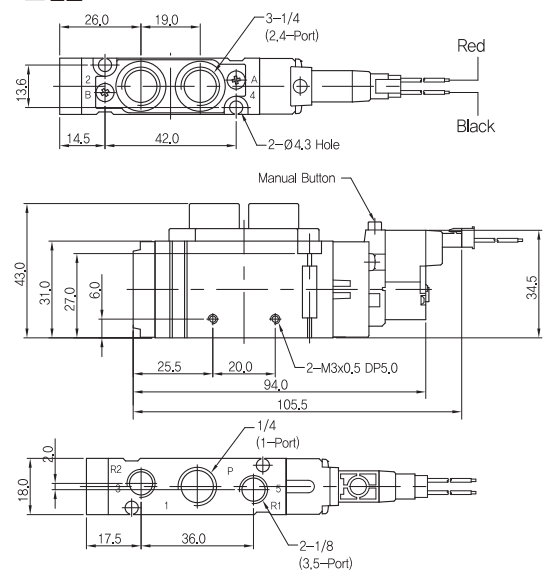
5 Way Point
5通型 TSM7 1 20 D - 5 LZ - 02 - S

Solenoid 电磁线圈	Body Type 阀安装	Voltage 电压	Connection 接电方式	Port Size 接管口径	Manual Override 手动操作
1 Single(单线圈)	Nil(空) Body Ported(直接安装型)	5 DC24V	LZ L Type Terminal(L型插座式)	02 1/4	Nil(空) Push Button (Standard)(按钮式)(标准)
2 Double(双线圈)	*D Sub-Plate Type(底板安装型)	6 DC12V	MZ M Type Terminal(90°)(M型插座式)	C8 Ø8接头	S Lever Lock (锁定式)

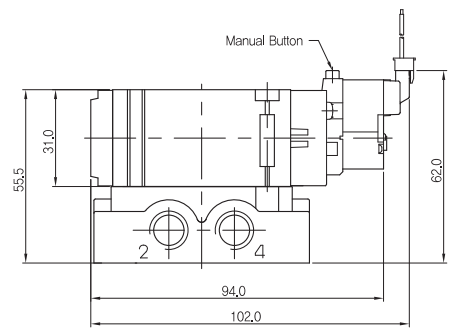
*底板安装型无接管口径选项
*TSM700系列与TSM7000系列电磁阀尺寸与集装板规格相同

Dimensions(mm)(外形尺寸图(毫米))

TSM7120-□LZ



TSM7120D-□MZ



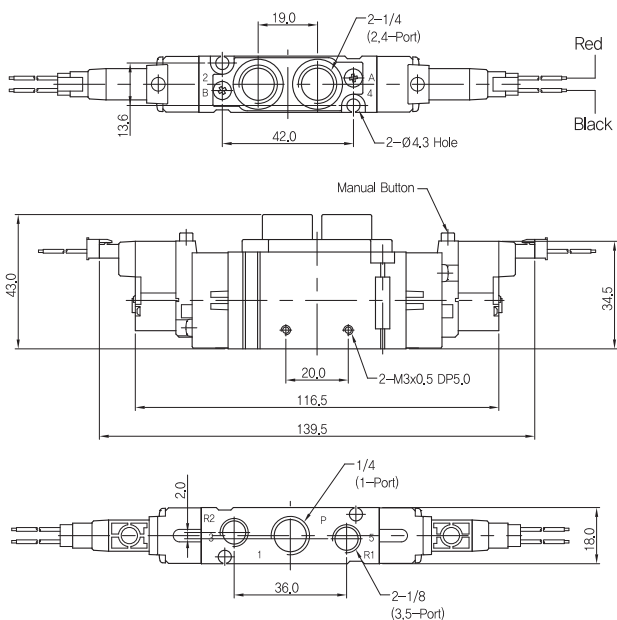
三通/五通先导式电磁阀

3 Way /5 Way Pilot Type Solenoid Valve

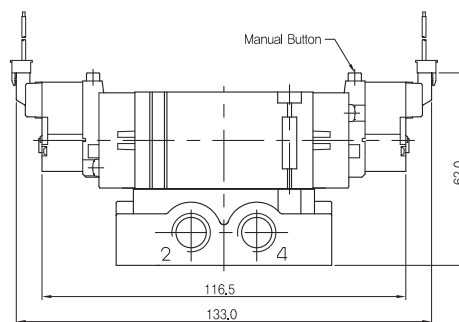
TSM700/TSM7000 Series

Dimensions(mm)(外形尺寸图(毫米))

TSM7220-□LZ

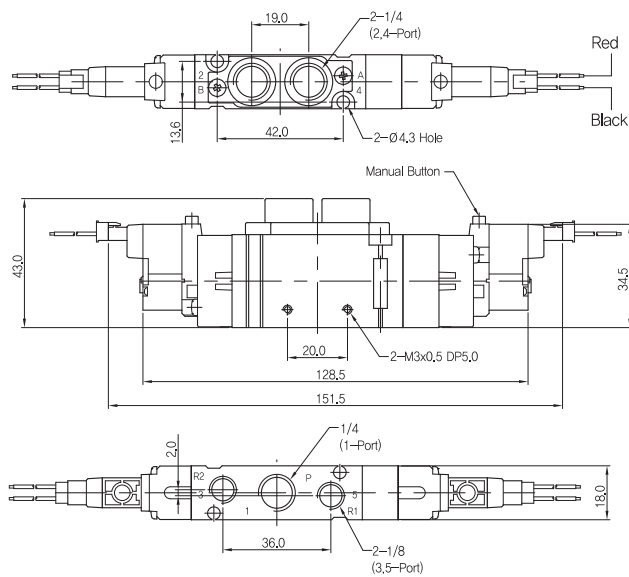


TSM7220D-□MZ

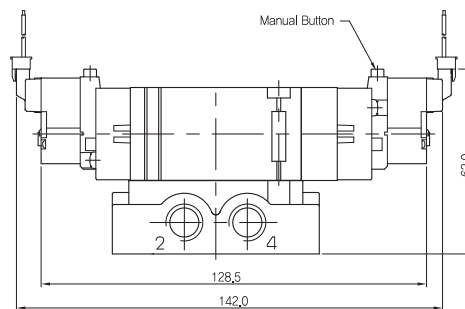


Dimensions(mm)(外形尺寸图(毫米))

TSM7320-□LZ



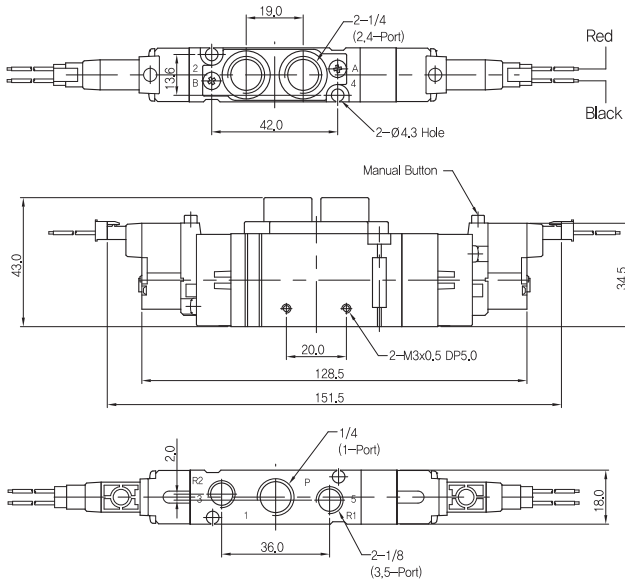
TSM7320D-□MZ



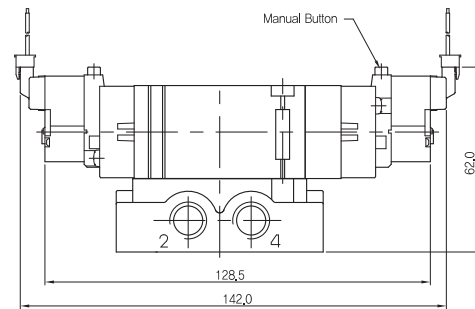
三通/五通先导式电磁阀 3 Way /5 Way Pilot Type Solenoid Valve TSM700/TSM7000 Series

Dimensions(mm)(外形尺寸图(毫米))

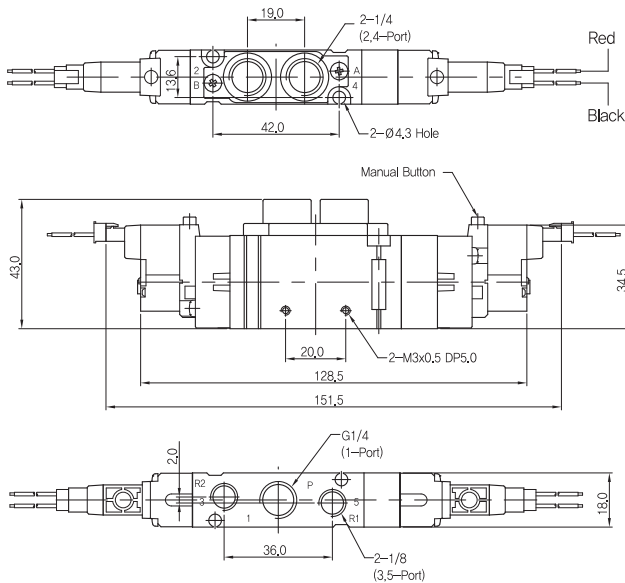
TSM7420-□LZ



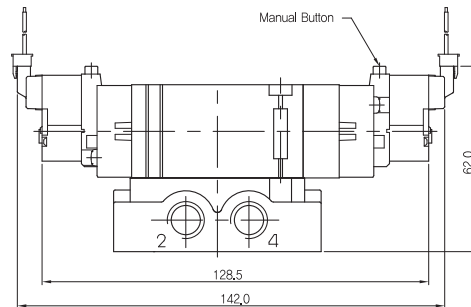
TSM7420D-□MZ



TSM7520-□LZ

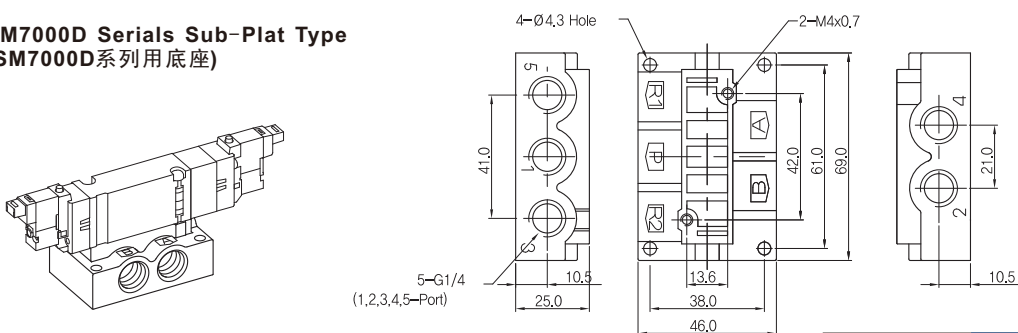


TSM7520D-□MZ



Dimensions(mm)(外形尺寸图(毫米))

**TSM7000D Series Sub-Plat Type
(TSM7000D系列用底座)**



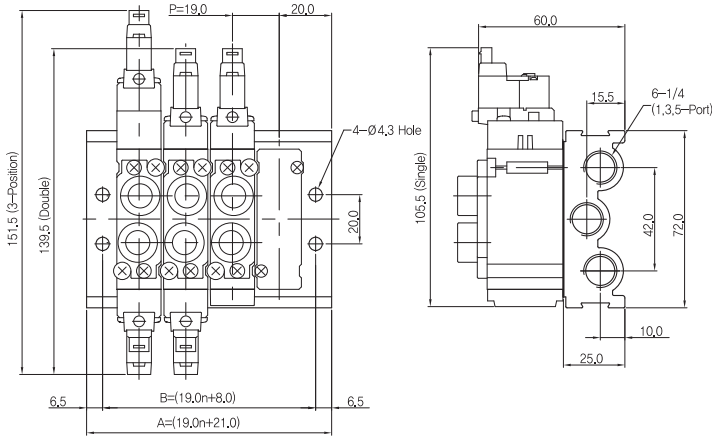
三通/五通先导式电磁阀

3 Way /5 Way Pilot Type Solenoid Valve

TSM700/TSM7000 Series

Manifold (汇流板)

Body Ported (直接安装型)



How To Order (型号表示方法)

TSS5M 7 - 20 - 04 1

Series 系列
7 TSM7000

No. of Station 位置数目
02 2 Valves
03 3 Valves
14 14 Valves

Blanking Plate



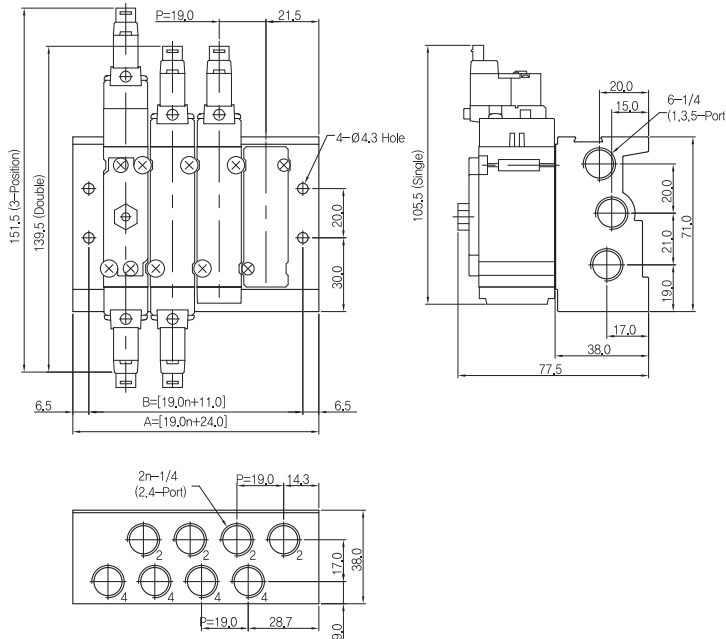
A,B : Dimensions(尺寸)

n=Station(位数)

Item	Station	2	3	4	5	6	7	8	9	10	11	12	13	14
B		46.0	65.0	84.0	103.0	122.0	141.0	160.0	179.0	198.0	217.0	236.0	255.0	274.0
A		59.0	78.0	97.0	116.0	135.0	154.0	173.0	192.0	211.0	230.0	249.0	268.0	287.0

Manifold (汇流板)

Sub-Plate Type (底板安装型)



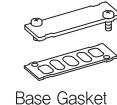
How To Order (型号表示方法)

TSS5M 7 - 43 - 04 1

Series 系列
7 TSM7000D

No. of Station 位置数目
02 2 Valves
03 3 Valves
14 14 Valves

Blanking Plate



A,B : Dimensions(尺寸)

n=Station(位数)

Item	Station	2	3	4	5	6	7	8	9	10	11	12	13	14
B		49.0	68.0	87.0	106.0	125.0	144.0	163.0	182.0	201.0	220.0	239.0	258.0	277.0
A		62.0	81.0	100.0	119.0	138.0	157.0	176.0	195.0	214.0	233.0	252.0	271.0	290.0