

# 三通先导式电磁阀

## 3 Way Pilot Type Solenoid Valve

### TSVM100~200 Series

图形符号



#### Common Specification (共同规格)

Model (型号)	TSVM100	TSVM200
Working Medium (工作介质)	40 Micron Filtered Air (经40微米过滤的空气)	
Operating Temp. (工作温度)	5~+50°C	
Motion Pattern (动作方式)	Inner Guide Type (内部先导式)	
Working-pressure (使用压力)	0.15~0.8MPa	
Max. Pressure Resistance (最大耐压力)	1.0MPa	
Voltage Range (电压范围)	±10%	
Power Consumption (耗电量)	AC: 4.5VA DC: 2.5W	
Insulation & Protection Class (绝缘性及防护等级)	F级. IP65 / F Class. IP65	
Highest Action Frequency (最高动作频率)	5 Cycle / Sec (每秒五次)	
Shortest Excitation Time (最短励磁时间)	0.05秒 Second	
Effective Sectional Area (有效截面积)	12mm <sup>2</sup> (CV=0.67)	16mm <sup>2</sup> (CV=0.89)

\*Please Use Turbine Oil 1st-grade ISO VG32#, If Required.  
若需要润滑油请使用透平1号油ISOVG32

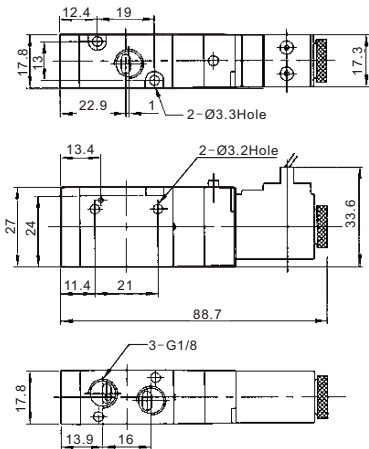
#### How To Order (型号表示方法)

TSVM <sup>100</sup>/<sub>200</sub> - 5 DZ - 01 A -

Specification Code 规格代码	Solenoid 电磁线圈	Rated Voltage 额定电压	Connection 接电方式	Port Size 接管口径	Initial State 初始状态	Other 其它
TSVM100/200 Series	Nil(空)	3 Single(单线圈)	3 AC110V	G Grommet(直接出线式)	01 1/8"	A NC(常闭)
	B Double(双线圈)	4 Double(双线圈)	4 AC220V	GZ Grommet&LED(直接出线式带指示灯)	02 1/4"	B NO(常开)
		5	5 DC24V	D Din Type Terminal(插座式)		T Spacer Sleeve(隔套式)
		6	6 DC12V	DZ Din Type Terminal(插座式) /LED&Varistor(带指示灯和 过压抑制器)		

#### Dimensions(mm) (外形尺寸图(毫米))

TSVM100-□G-01□-T



TSVM200-□D-02□-T

