



Features(产品特点)

Be widely used in vacuum systems. Efficiently protect the pump from the product entering it. Also protect the system components(valves,gauges) Consist of a steel housing and a lid with quick locking clips. Rugged all steel construction for heavy duty applications.Quickly exchangeable cartridge. Large dirt holding capacity and easy cleaning. High separation efficiency:99% removal for 5 micron, Brazed fittings for high vacuum duty(F002–F006) Low pressure drop

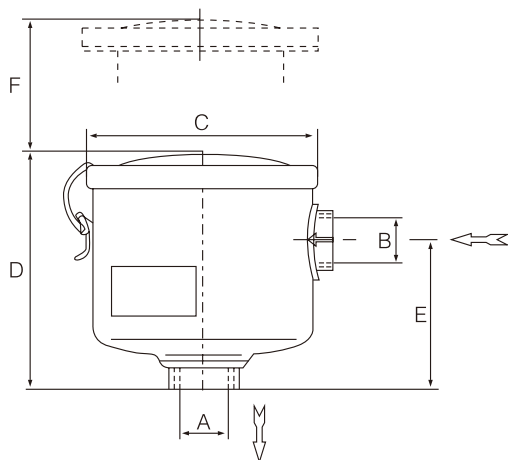
- 被广泛应用于工业用途的真空系统中，有效地防止固体颗粒或粉尘被吸入真空泵或系统中，减低泵的磨损，提高泵运行的可靠性，延长泵的使用寿命，能有效保护真空系统的元件(如真空阀，真空表等)。
- 全钢结构，坚固耐用，适合工业用途的大负荷要求，采用无缝拉伸金属外壳，配以铜焊接口，气密性高，容垢空间大，易于清理，更换滤芯简易、快捷进出口采用螺纹连接，可按客户要求配接特殊管口，采用O型圈密封，最大真空值低于1Pa标准配置纸质滤芯，过滤精度达99%(10微米颗粒)。通过气体温度：-15至90度。

Technical Parameters(产品参数)

Mode(型号)	BF002	BF002-1	BF004	BF003	BF006
Rated Flow Rate(额定流量) m ³ /h	32	42	100	120	300
*A(Inch(英寸))	G1/2"	G3/4"	G1 1/4"	G1 1/4"	G2"
*B(Inch(英寸))	G1/2"	G3/4"	G1 1/4"	G1 1/4"	G2"
C	Φ101	Φ101	Φ146	Φ185	Φ222
D	90	90	110	170	258
E	53	53	70	115	125
F	70	70	75	130	240
Weight(重量)Kg	1	1	1.4	2.3	6.9
Dimension A,B Is Pipe Thread,G.America Is NP,Britain Is BSP(尺寸A,B为管螺纹 G.美国为NP,英国为BSP)					
Filtration Consumables(过滤耗材)	Fe002	FE002	FE004	FE003	FE006
O.D(外径)	Φ65	Φ65	Φ98	Φ128	Φ150
I.D(内径)	Φ38	Φ38	Φ60	Φ64	Φ88
Height(高度)	69	69	70	125	222

Dimensions (mm)(外形尺寸及安装尺寸)

Filter Outline Dimension(过滤器外形尺寸)



Filter Element Dimension(空滤尺寸)

