

五通先导式电磁阀 5 Way Pilot Type Solenoid Valve

TSVM210 Series



Common Specification (共同规格)

Working Medium (工作介质)	40 Micron Filtered Air (经40微米过滤的空气)	
Operating Temp. (工作温度)	5~+50°C	
Motion Pattern (动作方式)	Inner Guide Type (内部先导式)	
Working-pressure (使用压力)	0.15~0.8MPa	
Max. Pressure Resistance (最大耐压力)	1.0MPa	
Voltage Range (电压范围)	±10%	
Power Consumption (耗电量)	AC: 4.5VA DC: 3W	
Insulation & Protection Class (绝缘性及防护等级)	F级. IP65 / F Class. IP65	
Highest Action Frequency (最高动作频率)	5 Cycle / Sec (每秒五次)	
Shortest Excitation Time (最短励磁时间)	0.05秒 Second	
Effective Sectional Area (有效截面积)	14mm ² (CV=0.78) (二位)	12mm ² (CV=0.67) (三位)

*Please Use Tubine Oil 1st-grade ISO VG32#, If Required.
若需要润滑油请使用透平1号油ISOVG32
注: TSVM210系列阀体为铝型材.

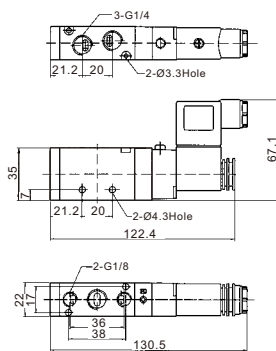
How To Order (型号表示方法)

TSVM210 - 5 DZ - 02 -

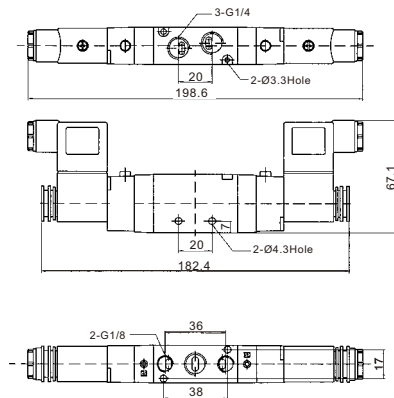
Specification Code 规格代码	Solenoid 电磁线圈	Rated Voltage 额定电压	Connection 接电方式	Port Size 接管口径	Other 其它
TSVM Series	Nil (空)	3 AC110V	G Grommet (直接出线式)	02 1/4"	Nil (空) Normal Type (普通型)
	B Double (双线圈)	4 AC220V	D Din Type Terminal (插座式)		T Spacer Sleeve (隔套式)
	C Closed Center (中央封闭)	5 DC24V	DZ Din Type Terminal (插座式) / LED & Varistor (带指示灯和过压抑制器)	S 带锁定按钮	
	E Exhaust Center (中央排气)	6 DC12V			
	P Press.Center (中央加压)				

Dimensions(mm) (外形尺寸图(毫米))

TSVM210-□DZ-02□



TSVM210B-□DZ-02□



TSVM210^C_{EP}-□DZ-02□

