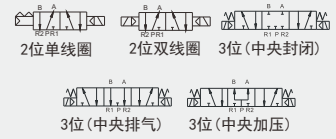


五通先导式电磁阀

5 Way Pilot Type Solenoid Valve

TSVM220 Series

图形符号



PNEUMATICS

2



Common Specification (共同规格)

| | | |
|--|-------------------------------------|---------------------------------|
| Working Medium (工作介质) | 40 Micron Filtered Air (经40微米过滤的空气) | |
| Operating Temp. (工作温度) | 5~+50°C | |
| Motion Pattern (动作方式) | Inner Guide Type (内部先导式) | |
| Working-pressure (使用压力) | 0.2~0.7MPa | |
| Max. Pressure Resistance (最大耐压力) | 1.0MPa | |
| Voltage Range (电压范围) | ±10% | |
| Power Consumption (耗电量) | AC: 6/4.9VA DC: 2.5W | |
| Insulation & Protection Class (绝缘性及防护等级) | F级 / F Class | |
| Highest Action Frequency (最高动作频率) | 5 Cycle / Sec (每秒五次) | |
| Shortest Excitation Time (最短励磁时间) | 0.05秒 Second | |
| Effective Sectional Area (有效截面积) | 18mm ² (CV=1.00)(二位) | 16mm ² (CV=0.89)(三位) |

*Please Use Turbine Oil 1st-grade ISO VG32#, If Required.
若需要润滑油请使用透平1号油ISOVG32

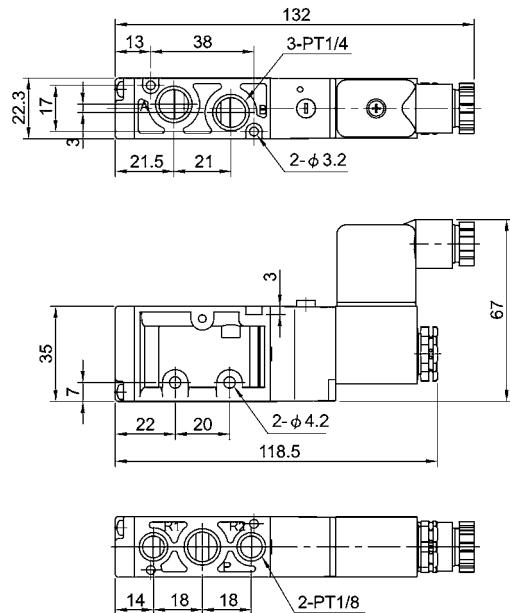
How To Order (型号表示方法)

TSVM220 - 5 DZ - 02

| Specification Code 规格代码 | Solenoid 电磁线圈 | Rated Voltage 额定电压 | Connection 接电方式 | Port Size 接管口径 |
|----------------------------|------------------|-----------------------|--------------------|-------------------|
| TSVM220 Series 阀体为铸铝成型 | Nil(空) | Single(单线圈) | G | 02 1/4" |
| | B | Double(双线圈) | GZ | |
| | C | Closed Center(中央封闭) | D | |
| | E | Exhaust Center(中央排气) | DZ | |
| | P | Press.Center(中央加压) | | |
| | | | | |

Dimensions(mm)(外形尺寸图(毫米))

TSVM220- □DZ-02



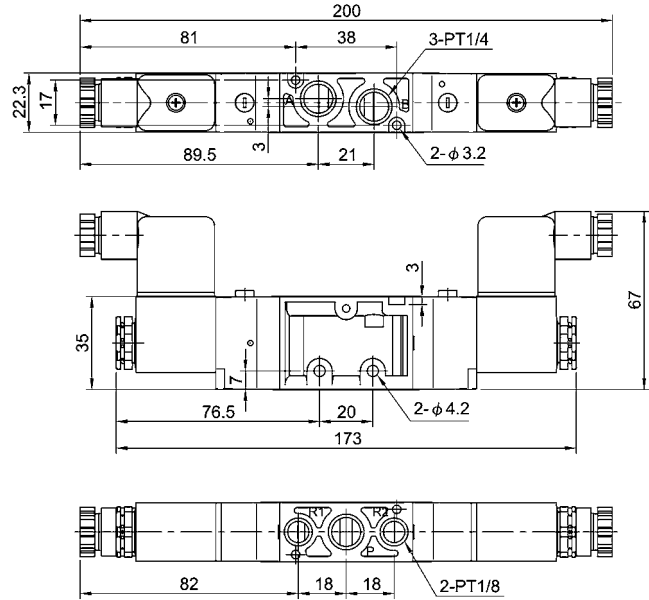
五通先导式电磁阀

5 Way Pilot Type Solenoid Valve

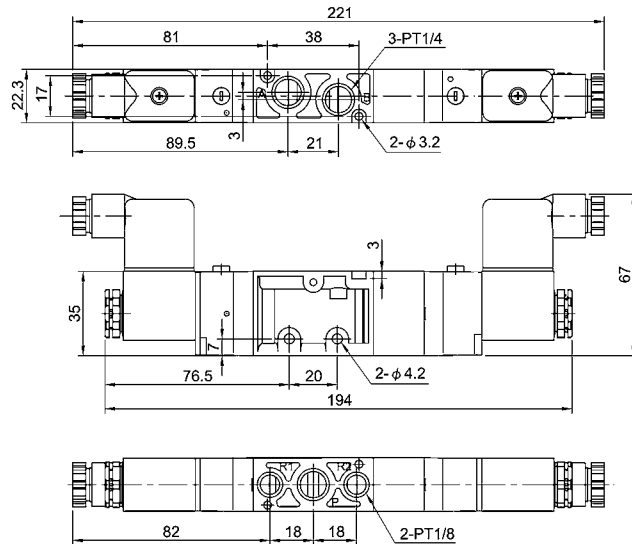
TSVM220 Series

Dimensions(mm) (外型尺寸图(毫米))

TSVM220B-□DZ-02



TSVM220^C_E-□DZ-02



Flow Chart (流量特性图)

