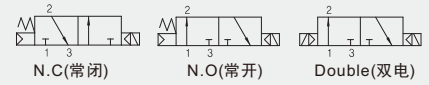


三通先导式电磁阀

3 Way Pilot Type Solenoid Valve

TSVM300~400 Series

图形符号



PNEUMATICS

2



Common Specification (共同规格)

Model (型号)	TSVM300	TSVM400
Working Medium (工作介质)	40 Micron Filtered Air (经40微米过滤的空气)	
Operating Temp. (工作温度)	5~+50°C	
Motion Pattern (动作方式)	Inner Guide Type (内部先导式)	
Working-pressure (使用压力)	0.15~0.8MPa	
Max. Pressure Resistance (最大耐压力)	1.0MPa	
Voltage Range (电压范围)	±10%	
Power Consumption (耗电量)	AC: 4.5VA	DC: 3W
Insulation & Protection Class (绝缘性及防护等级)	F级. IP65 / F Class. IP65	
Highest Action Frequency (最高动作频率)	5 Cycle / Sec (每秒五次)	
Shortest Excitation Time (最短励磁时间)	0.05秒 Second	
Effective Sectional Area (有效截面积)	30mm ² (CV=1.68)	50mm ² (CV=2.79)

*Please Use Tubine Oil 1st-grade ISO VG32#, If Required.
若需要润滑油请使用透平1号油ISOVG32

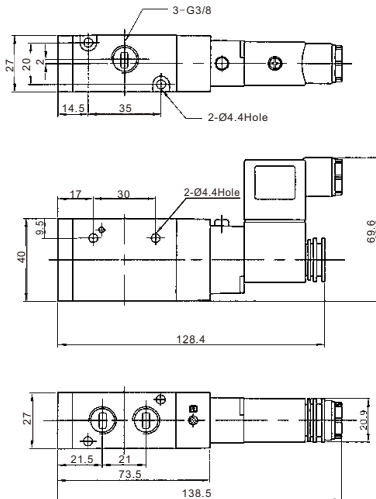
How To Order (型号表示方法)



Specification Code 规格代码	Solenoid 电磁线圈	Rated Voltage 额定电压	Connection 接电方式	Port Size 接管口径	Initial State 初始状态	Other 其它
TSVM300/400 Series	Nil(空)	3 AC110V	G Grommet(直接出线式)	03 3/8"	A NC(常闭)	Nil(空) Normal Type(普通型)
	B Double(双线圈)	4 AC220V	GZ Grommet&LED(直接出线式带指示灯)	04 1/2"	B NO(常开)	T Spacer Sleeve(隔套式)
		5 DC24V	D Din Type Terminal(插座式)			
		6 DC12V	DZ Din Type Terminal(插座式) /LED&Varistor(带指示灯和 过压抑制器)			

Dimensions(mm) (外形尺寸图(毫米))

TSVM300-□G-03□-T



TSVM400-□G-04□-T

