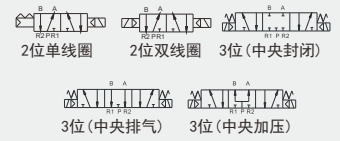


# 五通先导式电磁阀

## 5 Way Pilot Type Solenoid Valve

### TSVM420 Series

图形符号



#### Common Specification (共同规格)

Working Medium (工作介质)	40 Micron Filtered Air (经40微米过滤的空气)	
Operating Temp. (工作温度)	5~+50°C	
Motion Pattern (动作方式)	Inner Guide Type (内部先导式)	
Working-pressure (使用压力)	0.15~0.8MPa	
Max. Pressure Resistance (最大耐压力)	1.0MPa	
Voltage Range (电压范围)	±10%	
Power Consumption (耗电量)	AC: 4.5VA	DC: 3W
Insulation & Protection Class (绝缘性及防护等级)	F级. IP65 / F Class. IP65	
Highest Action Frequency (最高动作频率)	5 Cycle / Sec (每秒五次)	
Shortest Excitation Time (最短励磁时间)	0.05秒 Second	
Effective Sectional Area (有效截面积)	25mm <sup>2</sup> (CV=1.40) (二位)	18mm <sup>2</sup> (CV=1.00) (三位)

\*Please Use Tubine Oil 1st-grade ISO VG32#, If Required.  
若需要润滑油请使用透平1号油ISOVG32

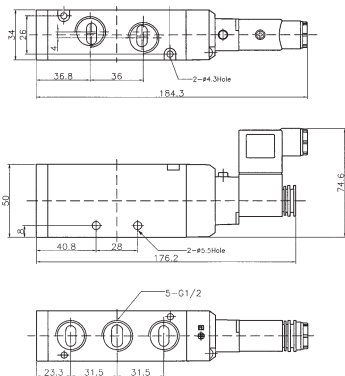
#### How To Order (型号表示方法)

TSVM420 - 5 DZ - 04 -

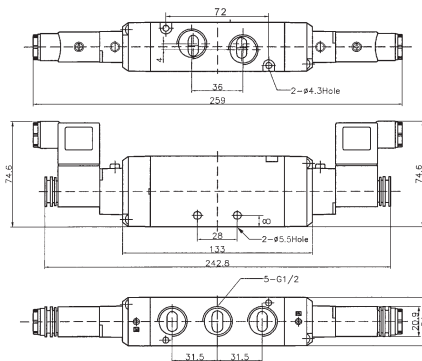
Specification Code 规格代码	Solenoid 电磁线圈		Rated Voltage 额定电压		Connection 接电方式		Port Size 接管口径	Other 其它	
TSVM420 Series 阀体为铸铝成型	Nil (空)	Single (单线圈)	3	AC110V	G	Grommet (直接出线式)	04 1/2"	Nil (空)	Normal Type (普通型)
	B	Double (双线圈)	4	AC220V	GZ	Grommet&LED (直接出线式带指示灯)		B	Spacer Sleeve (隔套式)
	C	Closed Center (中央封闭)	5	DC24V	D	Din Type Terminal (插座式)			
	E	Exhaust Center (中央排气)	6	DC12V	DZ	Din Type Terminal (插座式) /LED&Varistor (带指示灯和 过压抑制器)			
	P	Press.Center (中央加压)							

#### Dimensions (mm) (外形尺寸图 (毫米))

TSVM420-□DZ-03□



TSVM420B-□DZ-03□



TSVM420<sup>C</sup>/<sub>F</sub>-□DZ-03□

