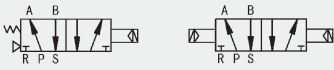


图形符号



# 五通先导式电磁阀(贴面阀)

## 5 Way Pilot Type Solenoid Valve

### TSVM3134/3234/5134/5234 Series (Namur Valve)



#### Common Specification (共同规格)

Working Medium (工作介质)	40 Micron Filtered Air (经40微米过滤的空气)	
Operating Temp. (工作温度)	-5~+60°C	
Motion Pattern (动作方式)	Inner Guide Type (内部先导式)	
Working-pressure (使用压力)	0.15~0.9MPa	
Max. Pressure Resistance (最大耐压力)	1.2MPa	
Voltage Range (电压范围)	-15%~+10%	
Power Consumption (耗电量)	AC220V: 2.0VA, AC110V: 2.5VA, AC24V: 3.5VA DC24V: 3.0W, DC12V: 2.5W	
Insulation & Protection Class (绝缘性及防护等级)	F级. IP65 / F Class. IP65	
Highest Action Frequency (最高动作频率)	5 Cycle / Sec (每秒五次)	
Shortest Excitation Time (最短励磁时间)	0.05秒 Second	
Effective Sectional Area (有效截面积)	16mm <sup>2</sup> (CV=0.89) (3Series)	30mm <sup>2</sup> (CV=1.67) (5 Series)

\*Please Use Tubine Oil 1st-grade ISO VG32#, If Required.  
若需要润滑油请使用透平1号油ISOVG32

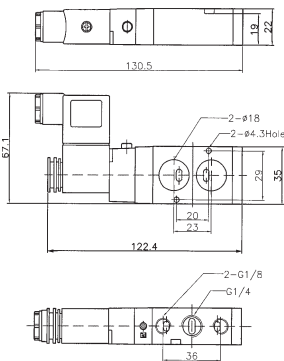
#### How To Order (型号表示方法)

TSVM 3 1 3 4 - 4 G - 02

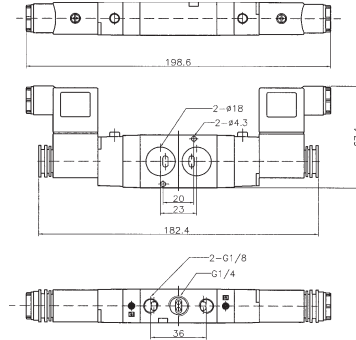
Series 系列	Solenoid 电磁线圈	Body Type 阀安装	Voltage 电压	Connection 接电方式	Port Size 接管口径
3 3 Series	1 Single(单线圈)	3 Body Ported(直接安装型)	3 AC110V	G Grommet(直接出线式)	02 1/4"(For 3 Series)
5 5 Series	2 Double(双线圈)		4 AC220V	GZ Grommet&LED(直接出线式带指示灯)	03 3/8"(For 5 Series)
			5 DC24V	D Din Type Terminal(插座式)	
			6 DC12V	DZ Din Type Terminal(插座式) /LED&Varistor(带指示灯和过压抑制器)	

#### Dimensions(mm) (外形尺寸图(毫米))

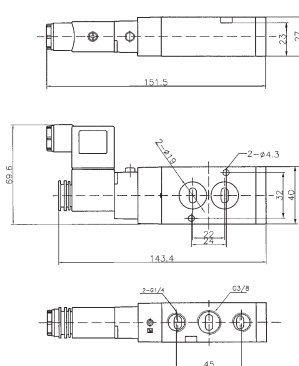
TSVM3134



TSVM3234



TSVM5134



TSVM5234

