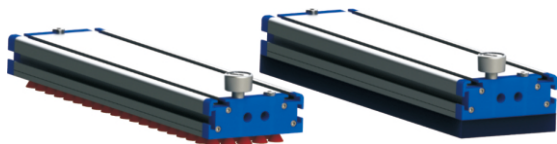


大面积真空吸具系统 Large-area Vacuum Gripping System

AIRBEST Series

TXC Series

Vacuum Pad Type(真空吸盘型)



Sealing Gasket (Sponge) Type(密封垫(海绵)型)

- 密封垫或吸盘磨损后可快速进行更换，简便快捷，成本低廉。
- 采用铝合金材质，结构坚固，重量轻。
- 内置真空发生器，结构紧凑。
- 内置真空流量调节装置(单向阀)，自动调节真空流量。
- 智能型真空发生装置具有节能效果，循环周期短。
- 仅用一个吸具就能自动堆垛、拆垛、分拣各种不同尺寸的工件。
- 可搬运多种不同材质的工件，如：纸张、木材以及有孔或无孔的干燥金属板或塑料板。
- 模块化设计可将若干个吸具系统组合起来，形成一个完整的系统，以满足不同的搬运需求。
- 真空破坏功能。

Features(产品特点)

- Easy to change the worn sealer or vacuum pad quickly, cheap cost.
- Adopt aluminum alloy material, strong structure and light weight.
- Inside vacuum pump, compact structure.
- Inside vacuum flow adjusting unit (non return valve), automatically adjust vacuum flow.
- Intelligent vacuum ejector is energy saving and short cycle time.
- Only one vacuum gripper can automatically stack, destack and pick different sizes of work piece transport work piece with different materials, for example: paper, wood and dry metal plate or plastic plate with holes or without holes.
- Module design can combine several vacuum gripper systems together to form a complete system, in order to satisfy different handling needs.
- Vacuum break function.

Specifications(技术规格)

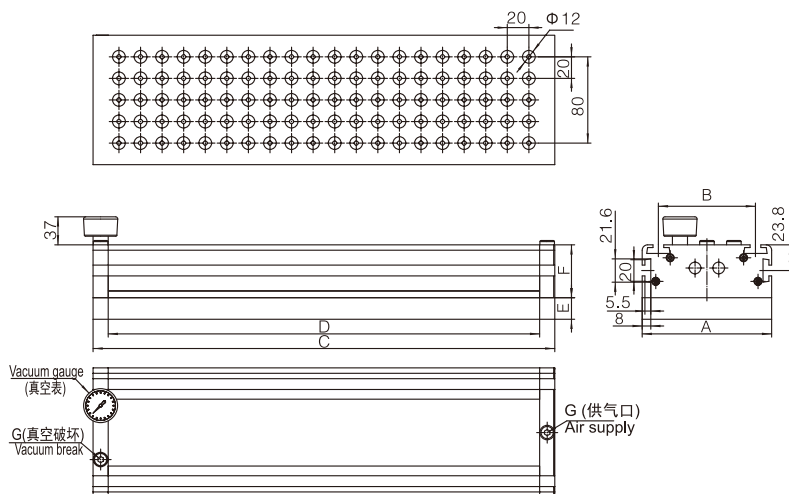
Model(型号)	Dimensions(尺寸规格)(mm)	Adsorbing type(吸附类型)
TXC	120 × 60	A-Sealing Gasket (Sponge) Type B-Vacuum Pad Type
	120 × 300	
	120 × 400	A-密封垫(海绵)型 B-真空吸盘
	120 × 600	
	120 × 800	
	120 × 1000	
120 × 1200		

△TXC120X300-A

Technical Parameters(性能参数)

Model(型号)	Air Supply Pressrue (Bar)(供气压力)	Max. Vacuum Level (-kPa)(最大真空度)	Max. Vacuum Flow (l/min)(最大真空流量)	Air Consumption (l/min)(耗气量)	Suction Force (N) (-60kPa)(吸力)	Suction Plate Thickness (mm)(吸板厚度)
TXC120 × 60	4~6	80	120	55	81	10
TXC120 × 300	4~6	80	580	215	555	20
TXC120 × 400	4~6	80	580	215	750	20
TXC120 × 600	4~6	80	580	215	1100	20
TXC120 × 800	4~6	80	800	320	1486	20
TXC120 × 1000	4~6	80	940	390	1949	20
TXC120 × 1200	4~6	80	940	390	2260	20

Dimensions (mm)(外形尺寸(毫米))



Model(型号)	A	B	C	D	E	F	G
TXC120×60	120	-	60	-	10	32.5	G1/8
TXC120×300	120	90	328	300	20	50	G1/8
TXC120×400	120	90	428	400	20	50	G1/8
TXC120×600	120	90	628	600	20	50	G1/8
TXC120×800	120	90	828	800	20	50	G1/8
TXC120×1000	120	90	1028	1000	20	50	G1/8
TXC120×1200	120	90	1228	1200	20	50	G1/8