



Features(产品特点)

- 4.5 bellow vacuum pad.
- Transferring fragile objects,high safety.
- Transferring objects with height differences.
- Transferring foods with plastic package.
- 波纹吸盘4.5折。
- 传送易碎物体，安全性高。
- 传送具有高度差的物体。
- 传送塑料包装食品。

How To Order(型号表示方法)

SBL40 N - M5/18MF - EH - KE510-A12

① ② ③ ④ ⑤

① Model(型号)

SBL15	φ15
SBL20	φ20
SBL30	φ30
SBL35M	φ35
SBL40	φ40
SBL40B	φ40
SBL50	φ50

② Material(Shore Hardness)(材质(肖氏硬度))

N	NBR(丁腈橡胶)(55°)
S	Silicone(硅胶)(50°)
WS	White Silicone(白硅胶)(50°)
CS	Electric Conduction (Special Materials)导电(特殊材料)(50°)

④ Valve(阀)

EH	Vacuum Efficiency Valve(双流式控制阀)(SBL20,30,40,50)
-	No(无)

③ Connectionthread(连接螺纹)

M5-M	M5 Male Thread (外螺纹) (SBL15)
18-M	G1/8 Male Thread (外螺纹) (SBL30, SBL40)
14-M	G1/4 Male Thread (外螺纹) (SBL30, SBL40, SBL50)
38-M	G3/8 Male Thread (外螺纹) (SBL50)
M5/18MF	M5 Female Thread (内螺纹) G1/8 Male Thread(外螺纹) (SBL20)
M5/18MFL*	M5 Female Thread (内螺纹) G1/8 Male Thread (外螺纹) (SBL20)
5 x M5F	5 x M5 Female Thread (内螺纹) (SBL20)
18-F	G1/8 Female Thread (内螺纹) (SBL20, SBL30, SBL40, SBL50)
18-FL	G1/8 Female Thread (内螺纹) (SBL30, SBL40)
5 x 18F	5 x G18 Female Thread (内螺纹) (SBL30, SBL40, SBL50)

⑤ Springplunger(弹簧缓冲支杆)

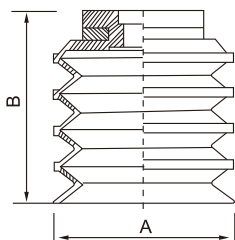
Model(型号)	Buffer Stroke (缓冲行程)(mm)
KI506-R-A8, KI506-B-A8, KI506-E-A8, KI506-S-A8	06
KI510-R-A8, KI510-B-A8, KI510-E-A8, KI510-S-A8	10
KI525-R-A8, KI525-B-A8, KI525-E-A8, KI525-S-A8	25
KI507-V-A10	7
KI515-V-A10	15
KI520-V-A10	20
KE1810-A16, KE1810-L-A14, KE1810-V-A16	10
KE1820-A16, KE1820-L-A14, KE1820-V-A16	20
KE1830-A16, KE1830-L-A14, KE1830-V-A16	30
KE1850-A16, KE1850-L-A14, KE1850-V-A16*	50
KI1810-A16, KI1810-L-A16, KI1810-V-A16	10
KI1820-A16, KI1820-L-A16, KI1820-V-A16*	20
KI1830-A16, KI1830-L-A16, KI1830-V-A16	30
KI1850-A16, KI1850-L-A16, KI1850-V-A16*	50

Recommended(Max.)Lifting Force(N)(不同真空度的最大传力)

Model (型号)	Volume (内部容量)cm ³	Vertical Lifting Force(垂直转送力)(N)	
		-20kPa	-60kPa
SBL15	1.95	0.24	0.48
SBL20	4	0.3	0.6
SBL30	13	0.6	1.55
SBL35M	21	0.79	1.87
SBL40	27	1.05	2.15
SBL40B	26	10	20.53
SBL50	55	1.68	4.22

*Not available with ball joint.*不能与球状接头共同使用

Dimensions (mm)(外形尺寸(毫米))



◀ SBL20/30/40/50

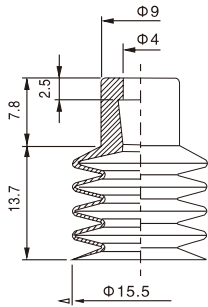
Model(型号)	ΦA	B
SBL20	20	23
SBL30	30	32
SBL40	40	42
SBL50	50	52

多波纹吸盘 Vacuum Pad SBL Series

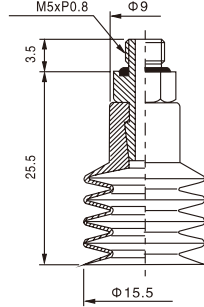
AIRBEST Series

Dimensions (mm)(外形尺寸(毫米))

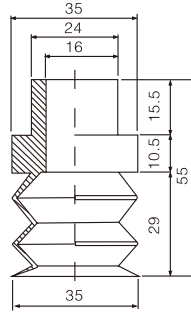
▼ SBL15



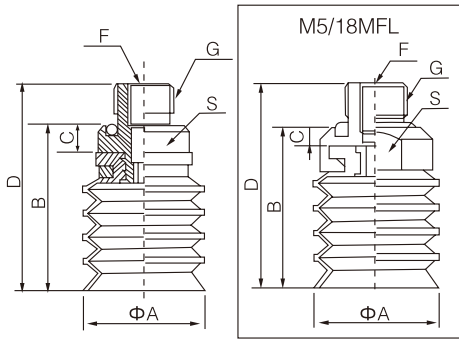
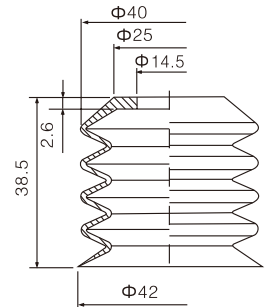
▼ SBL 15M5M



▼ SBL35M



▼ SBL40B

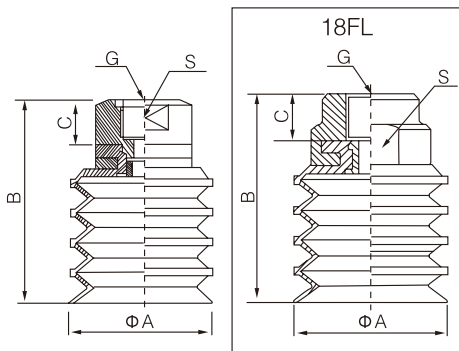


Male Thread Connection(外螺纹连接)(mm)

Model(型号)	ΦA	B	C	D	F	G	S
SBL20-M5/18MF	20	24.5	1.5	30.5	M5	G1/8	S12
SBL20-M5/18MFL*	20	26	3	27	M5	G1/8	S16
SBL30-18M	30	37	5	44	-	G1/8	S17
SBL30-14M	30	38	6	47	-	G1/4	S17
SBL40-18M	40	17	5	24	-	G1/8	S17
SBL40-14M	40	48	6	57	-	G1/4	S17
SBL50-14M	50	58	6	67	-	G1/4	S24
SBL50-38M	50	58	6	68	-	G3/8	S24

*only for S (Silicone) material

*仅适用于S(硅胶)材质

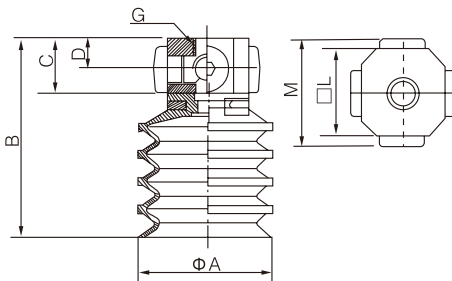


Male Thread Connection(内螺纹连接)(mm)

Model(型号)	ΦA	B	C	G	S
SBL20-18F	20	31	8	G1/8	S15
SBL30-18F	30	40	8	G1/8	S17
SBL30-18FL*	30	41	9	G1/8	S21
SBL40-18F	40	50	8	G1/8	S17
SBL40-18FL*	40	51	9	G1/8	S21
SBL50-18F	50	60	9	G1/8	S24

*only for S (Silicone) material

*仅适用于S(硅胶)材质



Female Thread Connection x5(外螺纹连接)(mm)

Model(型号)	ΦA	B	C	D	G	□L	M
SBL20-5 × M5F	20	32	9	5	5 × M5	15	22
SBL30-5 × 18F	30	50	18	10	5 × G1/8	22	30
SBL40-5 × 18F	40	60	18	10	5 × G1/8	22	30
SBL50-5 × 18F	50	70	18	10	5 × G1/8	28	36