



### Features(特征)

- Long bellows, suitable for level compensation in the process of handling.
- Good sealing properties with long and thin lip.
- High flow, handling objects quickly.
- Suitable for bags with irregular shapes e.g. frozen food bags, water bags and so on.
- Silicone material, wide working temperature range (-40°C~200°C)
- 多重褶皱，能有效在搬运过程中对工件的高度变化进行补偿
- 扁平的渐薄唇边具有很好的密封作用
- 高流量设计，能快速的的进行搬运
- 适用于形状不规则的袋装物品，如装有冷冻食物袋，水袋等
- 采用硅胶材质，工作温度在-40~200°C

### Model(型号规格)

Model (型号)	Diameter (直径) (mm)	Material And Hardness (材质及硬度)	Connection Thread (连接螺纹规格)
SBLP	30	S-Silicone(40)	G1/4M
			N1/4M
			G3/8M
			N3/8M
			G1/2M
			N1/2M

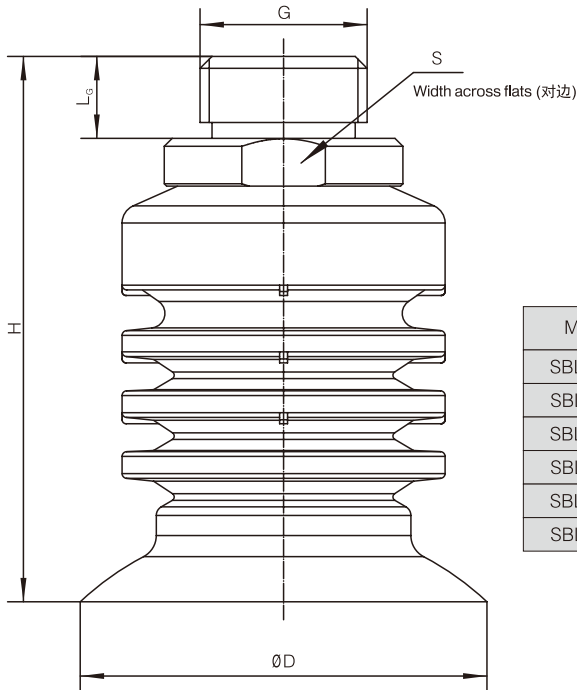
△ SBLP30-G1/4M G-gthread N-NPT thread M-Male thread  
△ SBLP30-G1/4M G-直管螺纹 N-锥管螺纹 M-外螺纹

### Technical Parameters(性能参数)

Model (型号)	Lifting Force (吸力) N(-60kPa)	Inner Volume (内部体积)(cm <sup>3</sup> )	Min. curveRadius Of Workpiece (cm)(工件最小曲率半径)	Weight Of rubber Part (橡胶部分重量)(g)
SBLP30	9	8.5	17	14.5
SBLP40	15	14	22	10
SBLP50	25	26	30	29

△ Workpiece is with smooth, dry surface, the above pull-out force datas don't include a safety factor. Values may change according to different workpiece surfaces.  
△ 测量工件表面光滑、干燥。以上拉脱力数据不包括安全系数。根据工件表面状况不同，数值可能会有变化。

### Dimensions (mm)(外形尺寸(毫米))



SBLP30~SBLP50 (Male thread(外螺纹))

Model(型号)	D	H	G	L <sub>g</sub>	S
SBLP30-G1/4M	30.5	51.5	G1/4	9	19
SBLP30-N1/4M	30.5	51.5	NPT1/4	11.5	19
SBLP40-G3/8M	40	56	G3/8	10	22
SBLP40-N3/8M	40	57.5	NPT3/8	11.5	22
SBLP50-G1/2M	50	69	G1/2	10	28
SBLP50-N1/2M	50	69	NPT1/2	16	28