

多级真空发生器(大流量型) Universal Pump (Large Flow Type)

TVMPL10~60 Series



Features(产品特点)

- Medium vacuum levels to -90 kPa
- Operates at 3.4bar
- Good for handling porous materials or if leakage is present
- Energy-Saving(ES)available
- Available with connection plate in aluminium(AD)and composite PPS(D)
- Supplies with a push-in connector for compressed air,through-flow silencer and mounting brackets
- 中等真空度达到 -90 kPa
- 在3.4bar的情况下运行
- 适用于多孔材料或有泄漏的情况
- 节能系统(ES)
- 铝连接板(AD)和聚苯硫醚复合材料连接板(D)
- 提供压缩空气接口所需的快速接头, 直流消声器和安装支架

Specification(技术规格)

| | | |
|----------------------------------|-----|----------------------|
| Air Supply Pressure Max(最大供气压力) | bar | 7 |
| Air Supply Pressure(opt)(最佳供气压力) | bar | 4~6 |
| Noise Level(噪音) | dBA | 60~65 |
| Temperature Range(温度范围) | °C | -20~80 |
| Weight(重量) | g | 750~1200 |
| Material(材料) | | AL, PPS, SS, PA, NBR |

Technical Parameters(产品参数)

| Model (型号) | Air Supply Pressure (供气压力) bar | Max.Vacuum Level (最大真空度) (-kPa) | Max.Vacuum Flow (最大真空流量) (l/min) | Air Consumption (空气消耗量) l/min) | Weight(PPS Materials) (重量(PPS材料)) g | Min Tube Inner Φ (within 2m) (最小软管内径 Φ(2m内)) | | |
|---------------|--------------------------------------|---------------------------------------|--|--------------------------------------|---|---|----------------|-----------------|
| | | | | | | Air Supply (供气) | Vacuum (真空) | Exhaust (排气) |
| TVMPL10 | 6 | 81 | 360 | 105 | 675 | >4 | >12 | >12 |
| TVMPL20 | | | 640 | 215 | 675 | >6 | >15 | >15 |
| TVMPL30 | | | 850 | 320 | 837 | >8 | >19 | >22 |
| TVMPL40 | | | 990 | 390 | 837 | >8 | >19 | >22 |
| TVMPL50 | | | 1170 | 480 | 1075 | >10 | >25 | >32 |
| TVMPL60 | | | 1230 | 620 | 1075 | >10 | >25 | >32 |

How To Order(订购码)

TVMPL10 - D - N - A - ES

① ② ③ ④ ⑤

① Model(型号)

TVMPL10 TVMPL40
TVMPL20 TVMPL50
TVMPL30 TVMPL60

③ Sealing (密封件)

| | |
|---|---------------------------|
| N | Standard (NBR) (标准(丁腈橡胶)) |
| V | VITON (氟橡胶) |
| E | EPDM (三元乙丙橡胶) |

② Connection Plate(连接板)

④ Non-Return Valve (止回阀)

| | |
|---|-----|
| A | Yes |
| - | No |

⑤ Control Device(控制装置)

| | | | |
|----|---|-----|---|
| PD | Electric Air Supply(电控供气) | PVD | Electric Control(Air Supply+Vacuum Breaking)Combination(电控(供气+破坏真空)组合) |
| PQ | Pneumatic Air Supply(气控供气) | PVQ | Pneumatic Control(Air Supply+Vacuum Breaking)Combination(气控(供气+破坏真空)组合) |
| VD | Electric Control Vacuum Breaking(电控破坏真空) | ES | Energy-Saving(节能系统) |
| VQ | Pneumatic Control Vacuum Breaking(气控破坏真空) | - | NO(无) |

TVMPL50-60

| | Air Supply (供气) | Vacuum (真空) | Exhaust (排气) | Material (材料) |
|----|--------------------|----------------|-----------------|------------------|
| D | G1/4" | G1" | G1" | PPS |
| B | NPT1/4" | NPT1" | NPT1" | PPS |
| AD | G1/4" | G1" | G1" | Aluminum |
| E | NPT1/4" | NPT1" | NPT1" | Aluminum |

TVMPL10-40

| | Air Supply (供气) | Vacuum (真空) | Exhaust (排气) | Material (材料) |
|----|--------------------|----------------|-----------------|------------------|
| D | NPSF1/8" | G3/4" | G3/4" | PPS |
| B | NPSF1/8" | NPT3/4" | NPT3/4" | PPS |
| AD | G1/4" | G3/4" | G3/4" | Aluminum |
| E | NPT1/4" | NPT3/4" | NPT3/4" | Aluminum |

多级真空发生器(大流量型) Universal Pump (Large Flow Type)

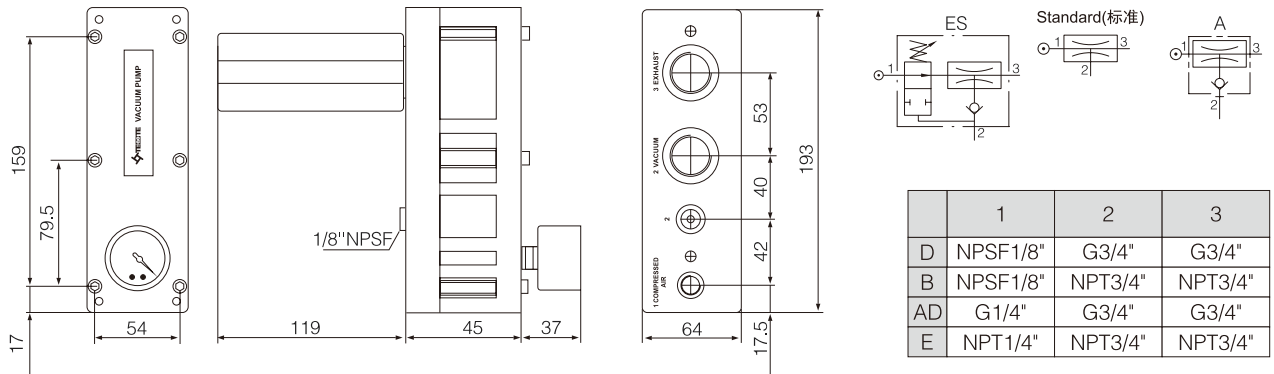
TVMPL10~60 Series

Parameters(参数)

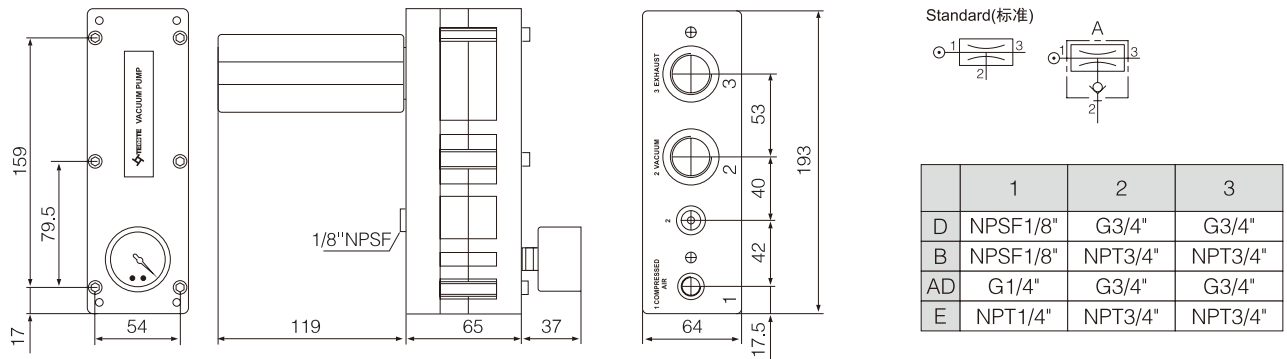
| Model (型号) | -kPa | Air Supply Pressure (供气压力) bar | Air Consumption (空气消耗量) l/m | Max. Vacuum Level (最大真空度) | 不同真空度(-kPa)的真空流量(l/min) | | | | | | | | 不同真空度(-kPa)的抽气时间(s/l) | | | | | | |
|---------------|------|--------------------------------------|-----------------------------------|------------------------------|-------------------------|-----|-----|-----|-----|-----|-----|----|-----------------------|-------|-------|-------|-------|------|------|
| | | | | | 0 | 10 | 20 | 30 | 40 | 50 | 60 | 70 | 10 | 20 | 30 | 40 | 50 | 60 | 70 |
| TVMPL10 | | 6 | 105 l/min | -81kPa | 360 | 196 | 135 | 85 | 45 | 36 | 27 | 17 | 0.03 | 0.06 | 0.1 | 0.2 | 0.39 | 0.58 | 0.87 |
| TVMPL20 | | | 215 l/min | | 640 | 320 | 205 | 145 | 95 | 65 | 45 | 25 | 0.018 | 0.039 | 0.066 | 0.12 | 0.20 | 0.31 | 0.51 |
| TVMPL30 | | | 320 l/min | | 850 | 430 | 320 | 190 | 130 | 105 | 65 | 40 | 0.01 | 0.02 | 0.04 | 0.08 | 0.12 | 0.2 | 0.31 |
| TVMPL40 | | | 390 l/min | | 990 | 580 | 460 | 300 | 185 | 130 | 95 | 52 | 0.008 | 0.017 | 0.032 | 0.05 | 0.09 | 0.13 | 0.22 |
| TVMPL50 | | | 480 l/min | | 1170 | 720 | 541 | 350 | 200 | 150 | 125 | 65 | 0.006 | 0.016 | 0.026 | 0.045 | 0.078 | 0.11 | 0.18 |
| TVMPL60 | | | 620 l/min | | 1230 | 760 | 560 | 410 | 210 | 160 | 148 | 85 | 0.005 | 0.014 | 0.024 | 0.04 | 0.071 | 0.1 | 0.16 |

Dimensions(mm)(外形尺寸图(毫米))

TVMPL10/20



TVMPL30/40



TVMPL50/60

