

SOB Series



Features(特征)

- Various sizes, suitable for workpiece with different shapes and sizes
- Large inner support structure, protects the metal sheets from deformation and damage during handling process
- Slot structure efficiently increases the friction force between vacuum pad and workpiece in order to prevent the oily metal sheets from slipping during the process of handling
- Flat, oval vacuum pad is suitable for long and narrow workpieces 1.5 bellows structure has good sealing and buffer to workpiece with uneven surface
- Vacuum pads are available with various connection types
- 尺寸型号齐全，适合不同形状和尺寸的工件
- 内部大面积支撑结构，能有效保护金属薄板在搬运过程中免于变形损伤
- 凹槽式内部支撑结构，有效增大吸盘与工件接触面摩擦力，防止油性金属板搬运过程中发生侧滑
- 扁平椭圆形接触面适合细长形金属板
- 1.5折折叠波纹结构，对于搬运接触表面不平整的工件具有良好的密封性，搬运过程中具有缓冲作用
- 吸盘有多种连接方式可供选择

Applications(适用范围)

- Car stamped steel
- Steel plates with oily surface
- Long and narrow metal sheet parts
- Handling normal sheet metal (in order to avoid deformation)
- 汽车冲压钢板
- 油性表面类钢板
- 细长形金属板材
- 普通金属薄板搬运(防止变形)

Model(型号规格)

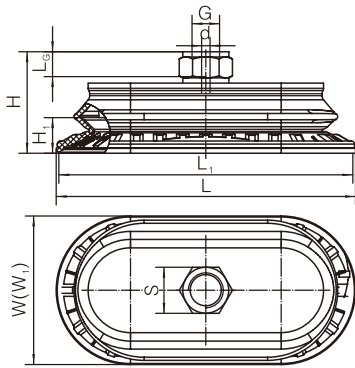
Model(型号)	Diameter(mm)(直径)	Material And Hardness(材质及硬度)	Connection Thread(连接螺纹规格)
SOB	30 × 60 40 × 80 55 × 110 70 × 140	N-60(Orange)(N-NBR) N-60(橙色)(N-NBR)	G1/4M (M-Male Thread)(M-外螺纹) G1/4F (F-Female Thread)(F-内螺纹) G3/8F M10M M14X1.5M RA Rectangular Tdapter(RA矩形适配器)

△SOB30X60N-60-G3/8F

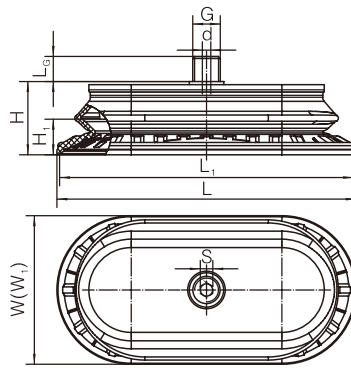
Technical Parameters (性能参数)

Model(型号)	Vertical Pull-out Force (N) (垂直拉脱力)(N) -60kPa	Lateral Pull-out Force(N) (横向拉脱力)(N) -60kPa	Lateral Pull-Out Force On Oily Surface(N) (油性表面横向拉脱力)(N) -60kPa	Inner Volume(cm ³) (内部体积)	Min.Curve Radius of Workpiece(cm) (工件最小曲率半径)	Recommended Tube Diameter(mm) (推荐软管直径)	Weight(g) (重量)
SOB30X60	53	60	50	8.7	25	4	26
SOB40X80	110	118	101	22	32	6	33
SOB55X110	197	200	183	57	48	6	75
SOB70X140	275	295	267	108	64	6	117

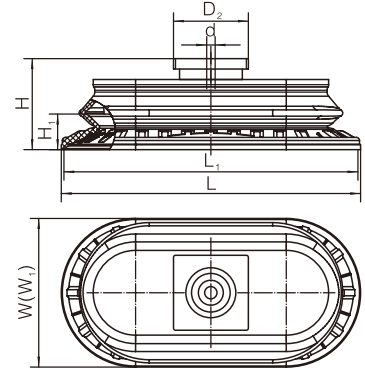
Dimensions (mm)(外形尺寸(毫米))



SOB30X60-70X140
(Female thread)
(内螺纹)



SOB30X60-70X140
(Male thread)
(外螺纹)



SOB30X60-70X140 RA
(Rectangular adapter)
(RA 矩形适配器)

Size (mm) Model(型号)	L	L ₁	W	W ₁	d	G	H	L ₀	D ₂	S	H ₁
SOB30X60N-60-G1/4F	62	60	32	30	6	G1/4F	34	11	--	20	6
SOB30X60N-60-G1/4M	62	60	32	30	6	G1/4M	21.5	12	--	6	6
SOB30X60N-60-G3/8F	62	60	32	30	6	G3/8F	34	11	--	22	6
SOB30X60N-60-M10M	62	60	32	30	4	M10M	21.5	12	--	4	6
SOB30X60N-60-M14M	62	60	32	30	6	M14X1.5M	21.5	12	--	6	6
SOB30X60N-60-RA	62	60	32	30	6	--	29	--	32	--	6
SOB40X80N-60-G1/4F	82	80	42	40	6	G1/4F	37	11	--	20	8.8
SOB40X80N-60-G1/4M	82	80	42	40	6	G1/4M	24.5	12	--	6	8.8
SOB40X80N-60-G3/8F	82	80	42	40	6	G3/8F	37	11	--	22	8.8
SOB40X80N-60-M10M	82	80	42	40	4	M10M	24.5	12	--	4	8.8
SOB40X80N-60-M14M	82	80	42	40	6	M14X1.5M	24.5	12	--	6	8.8
SOB40X80N-60-RA	82	80	42	40	6	--	42	--	32	--	8.8
SOB55X110N-60-G1/4F	112	110	57	55	6	G1/4F	43	11	--	20	12.5
SOB55X110N-60-G1/4M	112	110	57	55	6	G1/4M	30.5	12	--	6	12.5
SOB55X110N-60-G3/8F	112	110	57	55	6	G3/8F	43	11	--	22	12.5
SOB55X110N-60-M10M	112	110	57	55	4	M10M	30.5	12	--	4	12.5
SOB55X110N-60-M14M	112	110	57	55	6	M14X1.5M	30.5	12	--	6	12.5
SOB55X110N-60-RA	112	110	57	55	6	--	38	--	32	--	12.5
SOB70X140N-60-G1/4F	143	140	72	69	6	G1/4F	47.5	11	--	20	17
SOB70X140N-60-G1/4M	143	140	72	69	6	G1/4M	35	12	--	6	17
SOB70X140N-60-G3/8F	143	140	72	69	6	G3/8F	47.5	11	--	22	17
SOB70X140N-60-M10M	143	140	72	69	4	M10M	35	12	--	4	17
SOB70X140N-60-M14M	143	140	72	69	6	M14X1.5M	35	12	--	6	17
SOB70X140N-60-RA	143	140	72	69	6	--	42.5	--	32	--	17