



Features(特征)

- PU material, our polyurethane vacuum pads will last 3-4 times longer than the pads made from rubber or other vulcanized or polymerized materials.
- Less "down time" but "turn over" will increase productivity.
- Good resilience or flexibility.
- High tensile strength with high wear and tear resistance.
- PU材料, 使用寿命长, 使用时间比其它材料长3-4倍, 故障率小。
- 弹力好。
- 耐磨, 耐油性好。
- 高抗张强度。

How To Order(型号表示方法)

SFP20PU-18F

① ②

① Model (型号)

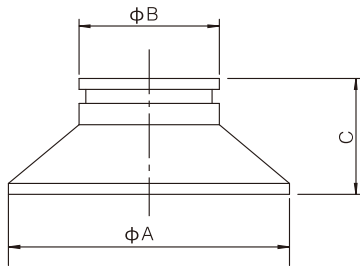
SFP20PU	φ20
SFP25PU	φ25

② Connection Thread (连接螺纹)

18-F	G1/8 Female thread(内螺纹) (SFP20PU,SFP25PU)
18-M	G1/8 Male thread(外螺纹) (SFP20PU,SFP25PU)

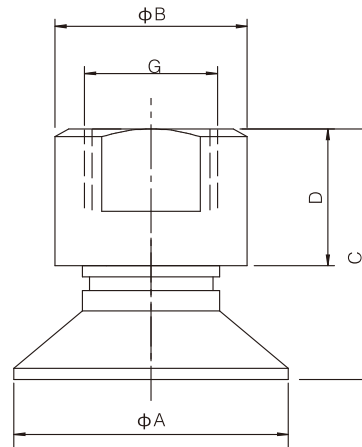
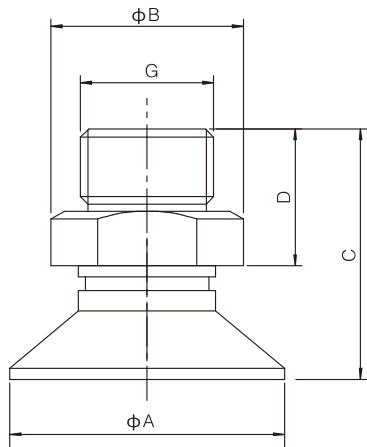
PU=Shore hardness 60° (肖氏硬度60°)

Dimensions(mm)(外形尺寸图(毫米))



Model(型号)	φA	φB	C
SFP20PU	20	10	8.3
SFP25PU	25	12	9

Connection Dimensions(mm)(连接尺寸图(毫米))



Model(型号)	φA	φB	C	D	G
SFP20PU	20	14	18.9	10	G1/8
SFP25PU	25	14	19	10	G1/8