

# PU波纹吸盘

## Vacuum Pad

AIRBEST Series

### SBP Series



#### Features(特征)

- 1.5 bellow vacuum pad.
- PU material, our polyurethane vacuum pads will last 3–4 times longer than the pads made from rubber or other vulcanized or polymerized materials.
- Less "down time" but "turn over" will increase productivity.
- Good resilience or flexibility.
- High tensile strength with high wear and tear resistance.
- 波纹吸盘1.5折。
- PU材料，使用寿命长，使用时间比其它材料长3–4倍，故障率小。
- 弹力好。
- 耐磨，耐油性好。
- 高抗张强度。

#### How To Order(型号表示方法)

### SBP20PU-18F

① ②

#### ① Model (型号)

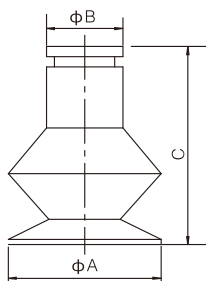
SBP5PU	φ5
SBP10PU	φ10
SBP15PU	φ15
SBP20PU	φ20

#### ② Connection Thread (连接螺纹)

M5-M	M5 Male Thread (SBP5PU, SBP10PU, SBP15PU)
18-M	G1/8 Male Thread (SBP20PU)
18-F	G1/8 Female Thread (SBP20PU)

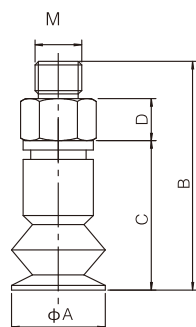
PU=Shore hardness 60° (肖氏硬度60°)

#### Dimensions(mm)(外形尺寸图(毫米))



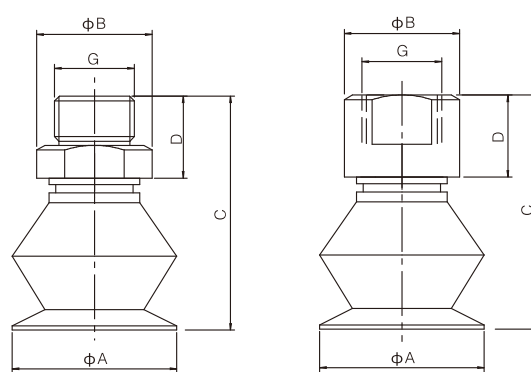
Model(型号)	φA	φB	C
SBP5PU	5	7.5	12.9
SBP10PU	10	7.5	16
SBP15PU	15	7.5	19.5
SBP20PU	20	11	18.5

#### Connection Dimensions(mm)(连接尺寸图(毫米))



Male Thread Connection(mm)(外螺纹连接(mm))

Model(型号)	φA	φB	C	D	M
SBP5PU	5	21.4	12.9	4.5	M5
SBP10PU	10	24.5	16	4.5	M5
SBP15PU	15	28	19.5	4.5	M5



Male(female) Thread Connection(mm)(外(内)螺纹连接(mm))

Model(型号)	φA	φB	C	D	M
SBP20PU	20	14	28.5	10	G1/8