

大型吸盘

Large Type Vacuum Pad

AIRBEST Series

SH Series



Features(特征)

- Various sizes, suitable for workpiece with different shapes and sizes
- Various materials are available, suitable for workpiece with different materials and different working conditions
- Heavy load design, suitable for heavy load handling in various industry
- 尺寸型号齐全，适合不同形状和尺寸的工件
- 吸盘有多种材料可供选择，以适应不同材质的工件以及不同的工作环境
- 重载型设计，适用于各种工业重型搬运

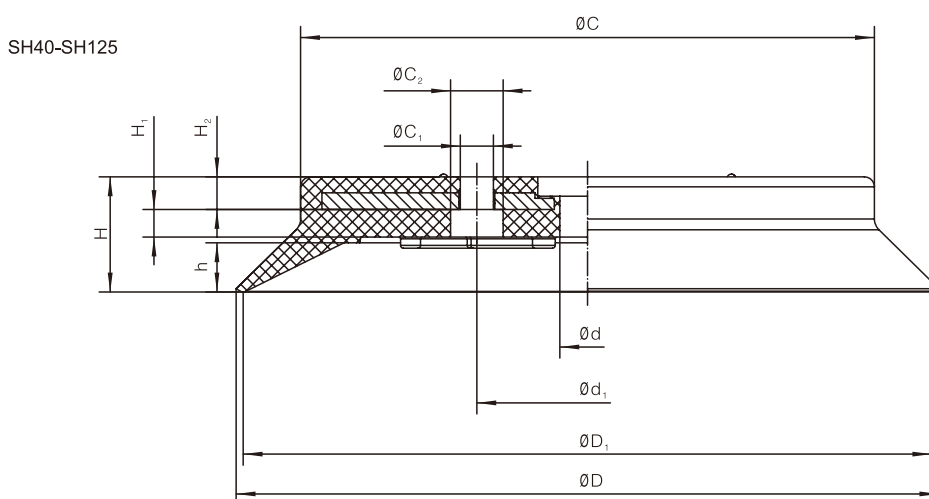
Model(型号规格)

Model(型号)	Diameter(mm)(直径)	Material And Color(材质及颜色)
SH	40	N-NBR (Black) (黑色) S-Silicone(White) (S-硅橡胶 (白色))
	50	
	63	
	80	
	100	
	125	

△SH40N Pad material of urethane rubber and fluorine rubber need to be ordered separately

△SH40N △聚氨酯橡胶、氟化橡胶材质需另行订购

Dimensions(mm)(外形尺寸图(毫米))



Model (型号)	D	D ₁	d	d ₁	H	H ₁	H ₂	h	C	C ₁	C ₂
Sh40	42	10	6	18	11.5	3.5	3.5	3.5	32	6.5	4
SH50	52	50	6	18	11.5	3.5	3.5	3.5	42	6.5	4
SH63	65	63	8	34	14.5	4.5	4.5	3.5	64	8	5
SH80	82	80	8	34	16.5	4.5	4.5	4.5	68	8	5
SH100	103	100	10	40	21	5	6	7.5	80	9.5	6
SH125	127	125	10	40	21	5	6	7.5	104	9.5	6