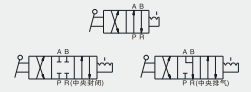


四通手动阀

4 Port Handle Valve

TVH Series

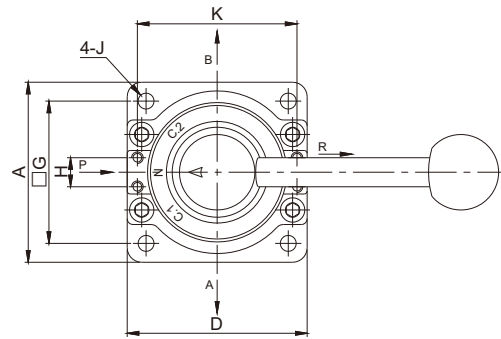
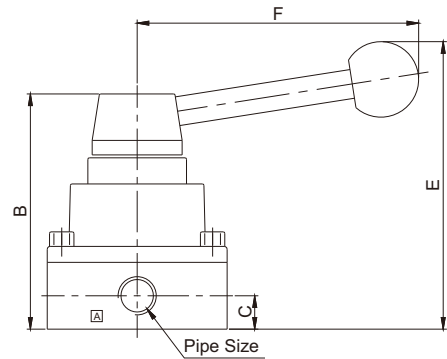
图形符号



Common Specification (共同规格)

Fluid (流体)	Clean Air (洁净空气)
Port Size (接管口径)	1/4, 3/8, 1/2, 3/4
Ambient Temperature (环境温度)	5°C ~ 60°C
Operating Pressure (使用压力)	0~9.9kg/cm ² (0~0.99MPa)
Operating Angle (操作角度)	90°

Dimensions (mm) (外形尺寸图(毫米))



Specifications (规格)

Model No. (型号)	Specification (规格)			
	Operation (位置数)	Pipe Size (接管口径) (Rc/PT)	Eff. Sectional Area (有效断面积) mm ² (Cv Value (值))	Wt. (质量) (kg)
TVH200-02	3Position (CC) (3位中央封闭)	1/4"	7.5(0.4)	0.57
TVH202-02	2Position (2位)			
TVH210-02	3Position (CC) (3位中央封闭)	1/4"	17(0.9)	0.83
TVH212-02	2Position (2位)			
TVH300-03	3Position (CC) (3位中央封闭)	3/8"	20(1.1)	0.87
TVH302-03	2Position (2位)			
TVH310-03	3Position (CC) (3位中央封闭)	1/2"	55(3.1)	1.2
TVH312-03	2Position (2位)			
TVH300-04	3Position (CC) (3位中央封闭)	3/4"	58(3.2)	1.4
TVH400-04	3Position (CC) (3位中央封闭)			
TVH402-04	2Position (2位)	1/2"	55(3.1)	1.2
TVH410-04	3Position (CC) (3位中央封闭)			
TVH400-06	3Position (CC) (3位中央封闭)	3/4"	58(3.2)	1.4
TVH412-04	2Position (2位)			

Model No. (型号)	Pipe Size (接管口径)	A	B	C	D	E	F	□G	H	J	K	φL	Wt. (质量) (g)
TVH200	1/4"	62	81	12	62	99	97	49	0	5.5	54	35	570
TVH300	3/8", 1/2"	74	93	13.5	74	114	118	62	18	6.8	66	41	830 (870: TVH300-04)
TVH400	1/2"	102	107	15	94	132	138	89/81	34	7.0	82	51	1,246
TVH400-06	3/4"	103	115	19	103	142	144	88	34	7.0	82	51	1,450

※ TVH400-04: G1=89, G2=81, TVH※1※: 面板安装型