

Features(特征)

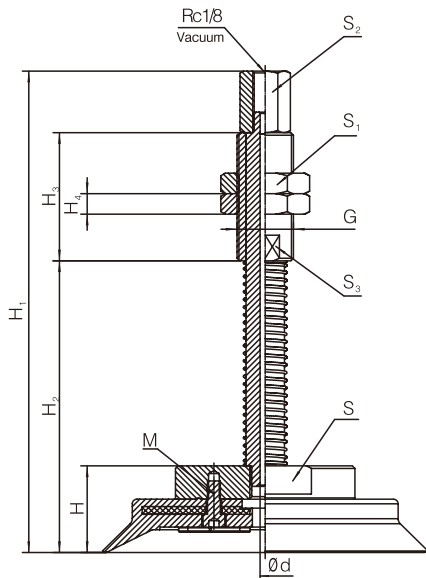
- Various sizes, suitable for workpiece with different shapes and sizes
- Various materials are available, suitable for workpiece with different materials and different working conditions
- Heavy load design, suitable for heavy load handling in various industry
- With spring plungers of different stroke, touch with the workpiece flexibly, it can adjust and compensate height differences of the workpiece timely
- 尺寸型号齐全, 适合不同形状和尺寸的工件
- 吸盘有多种材料可供选择, 以适应不同材质的工件以及不同的工作环境
- 重载型设计适用于各种工业重型搬运
- 配备多种行程的弹簧缓冲支杆, 使吸盘与工件柔性接触, 及时补偿和调节工件的高度差异

Model(型号规格)

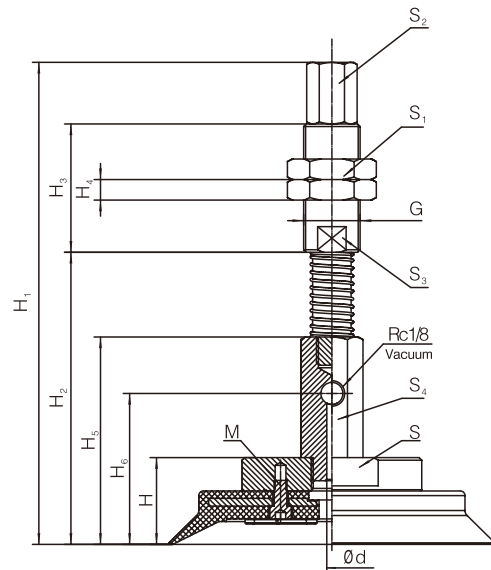
Model(型号)	Diameter(mm)(直径)	Material And Color(材质及颜色)	Vacuum Entry Eirection (真空连接方向)	Buffer Stroke (缓冲行程) (mm)	Connection Thread(连接螺纹规格)
SH	40	N-NBR (Black) (黑色) S-Silicone(White) (S-硅橡胶 (白色))	Z-Vertical (垂直方向) X-Lateral (水平方向)	25 50 75 100	M18-M18 x 1.5M M22-M22 x 1.5M
	50				
	63				
	80				
	100				
	125				

△SH40NZ-25-M18 M-Male thread F-Female thread Pad material of urethane rubber and fluorine rubber need to be ordered separately
 △SH40NZ-25-M18 M-外螺纹 F-内螺纹 △聚氨酯橡胶、氟化橡胶材质需另行订购

Dimensions(mm)(外形尺寸图(毫米))



SH40[]Z~SH125[]Z Vertical direction connection (with buffer)
 SH40[]Z~SH125[]Z垂直真空口



SH40[]X~SH125[]X Lateral direction connection (with buffer)
 SH40[]X~SH125[]X水平真空口

大型吸盘(带缓冲)

Large Type Vacuum Pad

SH Series-With Buffer

Dimensions(mm)(尺寸规格(毫米))

Model(型号)	H	H ₁	H ₂	H ₃	H ₄	H ₅	H ₆	d	G	M	S	S ₁	S ₂	S ₃	S ₄
SH40Z-25-M18	23	118.5	63	35	6	-	-	3	M18×1.5	3-M3×0.5	24	27	14	16	-
SH40Z-50-M18	23	153.5	98	35	6	-	-	3	M18×1.5	3-M3×0.5	24	27	14	16	-
SH40Z-75-M18	23	189.5	134	35	6	-	-	3	M18×1.5	3-M3×0.5	24	27	14	16	-
SH40X-25-M18	23	151	100	35	6	60	38	3	M18×1.5	3-M3×0.5	24	27	14	16	21
SH40X-50-M18	23	186	135	35	6	60	38	3	M18×1.5	3-M3×0.5	24	27	14	16	21
SH40X-75-M18	23	222	171	35	6	60	38	3	M18×1.5	3-M3×0.5	24	27	14	16	21
SH50Z-25-M18	23	118.5	63	35	6	-	-	3	M18×1.5	3-M3×0.5	24	27	14	16	-
SH50Z-50-M18	23	153.5	98	35	6	-	-	3	M18×1.5	3-M3×0.5	24	27	14	16	-
SH50Z-75-M18	23	189.5	134	35	6	-	-	3	M18×1.5	3-M3×0.5	24	27	14	16	-
SH50X-25-M18	23	151	100	35	6	60	38	3	M18×1.5	3-M3×0.5	24	27	14	16	21
SH50X-50-M18	23	186	135	35	6	60	38	3	M18×1.5	3-M3×0.5	24	27	14	16	21
SH50X-75-M18	23	222	171	35	6	60	38	3	M18×1.5	3-M3×0.5	24	27	14	16	21
SH63Z-25-M18	26	121.5	66	35	6	-	-	3	M18×1.5	4-M4×0.7	37	27	14	16	-
SH63Z-50-M18	26	156.5	101	35	6	-	-	3	M18×1.5	4-M4×0.7	37	27	14	16	-
SH63Z-75-M18	26	192.5	137	35	6	-	-	3	M18×1.5	4-M4×0.7	37	27	14	16	-
SH63X-25-M18	26	154	103	35	6	63	41	3	M18×1.5	4-M4×0.7	37	27	14	16	21
SH63X-50-M18	26	189	136	35	6	63	41	3	M18×1.5	4-M4×0.7	37	27	14	16	21
SH63X-75-M18	26	225	172	35	6	63	41	3	M18×1.5	4-M4×0.7	37	27	14	16	21
SH80Z-25-M18	28	123.5	68	35	6	-	-	3	M18×1.5	4-M4×0.7	37	27	14	16	-
SH80Z-50-M18	28	158.5	103	35	6	-	-	3	M18×1.5	4-M4×0.7	37	27	14	16	-
SH80Z-75-M18	28	194.5	139	35	6	-	-	3	M18×1.5	4-M4×0.7	37	27	14	16	-
SH80X-25-M18	28	156	105	35	6	63	41	3	M18×1.5	4-M4×0.7	37	27	14	16	21
SH80X-50-M18	28	191	138	35	6	63	41	3	M18×1.5	4-M4×0.7	37	27	14	16	21
SH80X-75-M18	28	227	174	35	6	63	41	3	M18×1.5	4-M4×0.7	37	27	14	16	21
SH100Z-25-M22	34	152	78	50	8	-	-	4	M22×1.5	4-M5×0.8	60	30	17	19	-
SH100Z-50-M22	34	188	114	50	8	-	-	4	M22×1.5	4-M5×0.8	60	30	17	19	-
SH100Z-75-M22	34	228	154	50	8	-	-	4	M22×1.5	4-M5×0.8	60	30	17	19	-
SH100Z-100-M22	34	263	189	50	8	-	-	4	M22×1.5	4-M5×0.8	60	30	17	19	-
SH100X-25-M22	34	186	115	50	8	71	49	4	M22×1.5	4-M5×0.8	60	30	17	19	21
SH100X-50-M22	34	222	151	50	8	71	49	4	M22×1.5	4-M5×0.8	60	30	17	19	21
SH100X-75-M22	34	262	191	50	8	71	49	4	M22×1.5	4-M5×0.8	60	30	17	19	21
SH100X-100-M22	34	297	226	50	8	71	49	4	M22×1.5	4-M5×0.8	60	30	17	19	21
SH125Z-25-M22	34	152	78	50	8	-	-	4	M22×1.5	4-M5×0.8	60	30	17	19	-
SH125Z-50-M22	34	188	114	50	8	-	-	4	M22×1.5	4-M5×0.8	60	30	17	19	-
SH125Z-75-M22	34	228	154	50	8	-	-	4	M22×1.5	4-M5×0.8	60	30	17	19	-
SH125Z-100-M22	34	263	189	50	8	-	-	4	M22×1.5	4-M5×0.8	60	30	17	19	-
SH125X-25-M22	34	186	115	50	8	71	49	4	M22×1.5	4-M5×0.8	60	30	17	19	21
SH125X-50-M22	34	222	151	50	8	71	49	4	M22×1.5	4-M5×0.8	60	30	17	19	21
SH125X-75-M22	34	262	191	50	8	71	49	4	M22×1.5	4-M5×0.8	60	30	17	19	21
SH125X-100-M22	34	297	226	50	8	71	49	4	M22×1.5	4-M5×0.8	60	30	17	19	21

4

PNEUMATICS