



Features(特征)

- Various sizes, suitable for workpiece with different shapes and sizes
- Various materials are available, suitable for workpiece with different materials and different working conditions
- 1.5 bellows compensate height differences of the workpiece efficiently and have buffer effect in the process of handling
- 尺寸型号齐全，适合不同形状和尺寸的工件
- 吸盘有多种材料可供选择，以适应不同材质的工件以及不同的工作环境
- 1.5折波纹结构，能有效补偿工件上的高度差异，搬运过程能产生缓冲作用

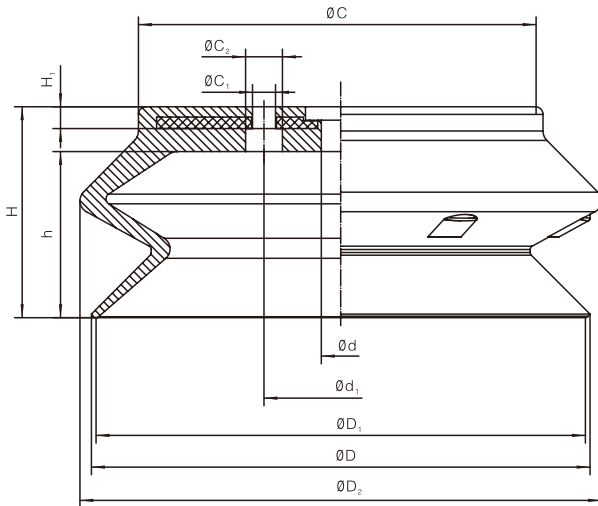
Model(型号规格)

Model(型号)	Diameter(mm)(直径)	Material And Color(材质及颜色)
SHB	40	N-NBR (Black) (黑色) S-Silicone(White) (S-硅橡胶 (白色))
	50	
	63	
	80	
	100	
	125	

△SHB40N M-Male thread F-Female thread Pad material of urethane rubber and fluorine rubber need to be ordered separately

△SHB40N △聚氨酯橡胶、氟化橡胶材质需另行订购

Dimensions(mm)(外形尺寸图(毫米))



SHB40-SHB125

Model(型号)	D	D ₁	D ₂	d	d ₁	H	H ₁	h	C	C ₁	C ₂
SHB40	41.5	40	43.2	6	18	20.5	3.5	13	30	3-Φ4	3-Φ6.5
SHB50	52	50	54	6	18	24	3.5	16.5	40.5	3-Φ4	3-Φ6.5
SHB63	65	63	67.5	8	34	31.5	4.5	21.5	50	3-Φ5	3-Φ8
SHB80	83	80	85	8	34	37	5	27.5	64	3-Φ5	3-Φ8
SHB100	103	100	106.5	10	40	47.5	6	35.5	80	3-Φ6	3-Φ9.5
SHB125	128.5	125	135	10	40	56	6	44	105	3-Φ6	3-Φ9.5