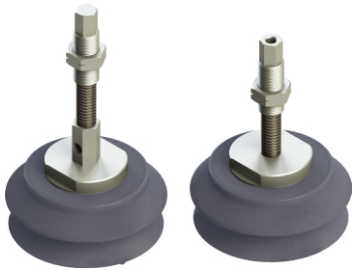


大型风琴形吸盘(带缓冲)

AIRBEST Series

Large Bellows Type Vacuum Pad

SHB Series-With Buffer



Features(特征)

- Various sizes, suitable for workpiece with different shapes and sizes
- Various materials are available, suitable for workpiece with different materials and different working conditions
- 1.5 bellows compensate height differences of the workpiece efficiently and have buffer effect in the process of handling
- With spring plungers of different stroke, touch with the workpiece flexibly, it can adjust and compensate height differences of the workpiece timely
- 尺寸型号齐全，适合不同形状和尺寸的工件
- 吸盘有多种材料可供选择，以适应不同材质的工件以及不同的工作环境
- 1.5折波纹结构设计，能有效补偿工件上的高度差异，搬运过程中能起缓冲作用
- 配备多种行程的弹簧缓冲支杆，使吸盘与工件柔性接触，及时补偿和调节工件的高度差异

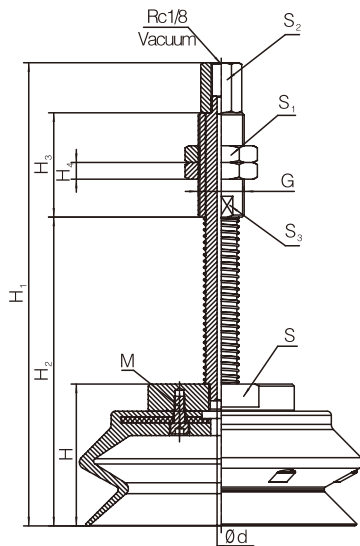
Model(型号规格)

Model(型号)	Diameter(mm)(直径)	Material And Color(材质及颜色)	Vacuum Entry Eirection (真空连接方向)	Buffer Stroke (缓冲行程) (mm)	Connection Thread(连接螺纹规格)
SHB	40	N-NBR (Black) (黑色) S-Silicone(White) (S-硅橡胶 (白色))	Z-Vertical (垂直方向) X-Lateral (水平方向)	25	M18-M18 x 1.5M M22-M22 x 1.5M
	50				
	63				
	80				
	100				
	125				

△SHB40NZ-25-M18 M-Male thread F-Female thread Pad material of urethane rubber and fluorine rubber need to be ordered separately

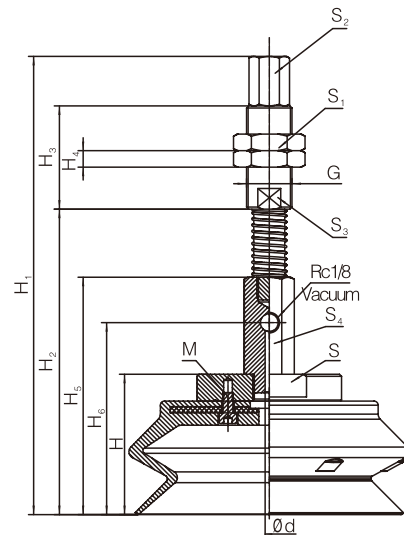
△SHB40NZ-25-M18 M-外螺纹 F-内螺纹 △聚氨酯橡胶、氟化橡胶材质需另行订购

Dimensions(mm)(外形尺寸图(毫米))



SHB40 [Z~SH125] [Z Vertical direction connection (with buffer)

SHB40 [Z~SH125] [Z垂直真空口



SHB40 [X~SH125] [X Lateral direction connection (with buffer)

SHB40 [X~SH125] [X水平真空口

大型风琴形吸盘(带缓冲)

Large Bellows Type Vacuum Pad

SHB Series-With Buffer

Dimensions(mm)(尺寸规格(毫米))

Model(型号)	H	H ₁	H ₂	H ₃	H ₄	H ₅	H ₆	d	G	M	S	S ₁	S ₂	S ₃	S ₄
SHB40Z-25-M18	32	127.5	72	35	6	-	-	3	M18×1.5	3-M3×0.5	24	27	14	16	-
SHB40Z-50-M18	32	162.5	107	35	6	-	-	3	M18×1.5	3-M3×0.5	24	27	14	16	-
SHB40Z-75-M18	32	198.5	143	35	6	-	-	3	M18×1.5	3-M3×0.5	24	27	14	16	-
SHB40X-25-M18	32	160	109	35	6	69	47	3	M18×1.5	3-M3×0.5	24	27	14	16	21
SHB40X-50-M18	32	195	144	35	6	69	47	3	M18×1.5	3-M3×0.5	24	27	14	16	21
SHB40X-75-M18	32	231	180	35	6	69	47	3	M18×1.5	3-M3×0.5	24	27	14	16	21
SHB50Z-25-M18	35.5	131	75.5	35	6	-	-	3	M18×1.5	3-M3×0.5	24	27	14	16	-
SHB50Z-50-M18	35.5	166	110.5	35	6	-	-	3	M18×1.5	3-M3×0.5	24	27	14	16	-
SHB50Z-75-M18	35.5	202	146.5	35	6	-	-	3	M18×1.5	3-M3×0.5	24	27	14	16	-
SHB50X-25-M18	35.5	163.5	112.5	35	6	72.5	50.5	3	M18×1.5	3-M3×0.5	24	27	14	16	21
SHB50X-50-M18	35.5	198.5	147.5	35	6	72.5	50.5	3	M18×1.5	3-M3×0.5	24	27	14	16	21
SHB50X-75-M18	35.5	234.5	183.5	35	6	72.5	50.5	3	M18×1.5	3-M3×0.5	24	27	14	16	21
SHB63Z-25-M18	43	138.5	83	35	6	-	-	3	M18×1.5	4-M4×0.7	37	27	14	16	-
SHB63Z-50-M18	43	173.5	118	35	6	-	-	3	M18×1.5	4-M4×0.7	37	27	14	16	-
SHB63Z-75-M18	43	209.5	154	35	6	-	-	3	M18×1.5	4-M4×0.7	37	27	14	16	-
SHB63X-25-M18	43	171	120	35	6	80	58	3	M18×1.5	4-M4×0.7	37	27	14	16	21
SHB63X-50-M18	43	206	155	35	6	80	58	3	M18×1.5	4-M4×0.7	37	27	14	16	21
SHB63X-75-M18	43	242	191	35	6	80	58	3	M18×1.5	4-M4×0.7	37	27	14	16	21
SHB80Z-25-M18	48.5	144	88.5	35	6	-	-	3	M18×1.5	4-M4×0.7	37	27	14	16	-
SHB80Z-50-M18	48.5	179	123.5	35	6	-	-	3	M18×1.5	4-M4×0.7	37	27	14	16	-
SHB80Z-75-M18	48.5	215	159.5	35	6	-	-	3	M18×1.5	4-M4×0.7	37	27	14	16	-
SHB80X-25-M18	48.5	176.5	125.5	35	6	85.5	63.5	3	M18×1.5	4-M4×0.7	37	27	14	16	21
SHB80X-50-M18	48.5	211.5	160.5	35	6	85.5	63.5	3	M18×1.5	4-M4×0.7	37	27	14	16	21
SHB80X-75-M18	48.5	247.5	196.5	35	6	85.5	63.5	3	M18×1.5	4-M4×0.7	37	27	14	16	21
SHB100Z-25-M22	60.5	178.5	104.5	50	8	-	-	4	M22×1.5	4-M5×0.8	60	30	17	19	-
SHB100Z-50-M22	60.5	214.5	140.5	50	8	-	-	4	M22×1.5	4-M5×0.8	60	30	17	19	-
SHB100Z-75-M22	60.5	254.5	180.5	50	8	-	-	4	M22×1.5	4-M5×0.8	60	30	17	19	-
SHB100Z-100-M22	60.5	289.5	215.5	50	8	-	-	4	M22×1.5	4-M5×0.8	60	30	17	19	-
SHB100X-25-M22	60.5	212.5	141.5	50	8	97.5	75.5	4	M22×1.5	4-M5×0.8	60	30	17	19	21
SHB100X-50-M22	60.5	248.5	177.5	50	8	97.5	75.5	4	M22×1.5	4-M5×0.8	60	30	17	19	21
SHB100X-75-M22	60.5	288.5	217.5	50	8	97.5	75.5	4	M22×1.5	4-M5×0.8	60	30	17	19	21
SHB100X-100-M22	60.5	323.5	252.5	50	8	97.5	75.5	4	M22×1.5	4-M5×0.8	60	30	17	19	21
SHB125Z-25-M22	69	187	113	50	8	-	-	4	M22×1.5	4-M5×0.8	60	30	17	19	-
SHB125Z-50-M22	69	223	149	50	8	-	-	4	M22×1.5	4-M5×0.8	60	30	17	19	-
SHB125Z-75-M22	69	263	189	50	8	-	-	4	M22×1.5	4-M5×0.8	60	30	17	19	-
SHB125Z-100-M22	69	298	224	50	8	-	-	4	M22×1.5	4-M5×0.8	60	30	17	19	-
SHB125X-25-M22	69	221	150	50	8	106	84	4	M22×1.5	4-M5×0.8	60	30	17	19	21
SHB125X-50-M22	69	257	186	50	8	106	84	4	M22×1.5	4-M5×0.8	60	30	17	19	21
SHB125X-75-M22	69	297	226	50	8	106	84	4	M22×1.5	4-M5×0.8	60	30	17	19	21
SHB125X-100-M22	69	332	261	50	8	106	84	4	M22×1.5	4-M5×0.8	60	30	17	19	21