

大型风琴形吸盘(不带缓冲)

AIRBEST Series

Large Bellows Type Vacuum Pad

SHB Series-Without Buffer



Features(产品特点)

- Various sizes, suitable for workpiece with different shapes and sizes
- Various materials are available, suitable for workpiece with different materials and different working conditions
- Heavy load design, suitable for heavy load handling in various industry
- 尺寸型号齐全, 适合不同形状和尺寸的工件
- 吸盘有多种材料可供选择, 以适应不同材质的工件以及不同的工作环境
- 1.5折波纹结构设计, 能有效补偿工件上的高度差异, 搬运过程中能起缓冲作用

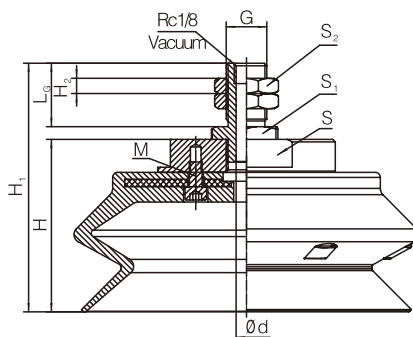
Model(型号规格)

Model(型号)	Diameter(mm)(直径)	Material And Color(材质及颜色)	Vacuum Entry Eirection (真空连接方向)	Connection Thread(连接螺纹规格)
SHB	40	N-NBR (Black) (黑色) S-Silicone(White) (S-硅橡胶 (白色))	Z-Vertical (垂直方向) X-Lateral (水平方向)	F8-M8X1.25F
	50			F10-M10X1.5F
	63			F12-M12X1.75F
	80			M14-M14X1M
	100			M16-M16X1.5M
	125			F-M16X1.5F

△SHB40NZ-M14 M-Male thread F-Female thread Pad material of urethane rubber and fluorine rubber need to be ordered separately

△SHB40NZ-M14 M-外螺纹 F-内螺纹 △聚氨酯橡胶、氟化橡胶材质需另行订购

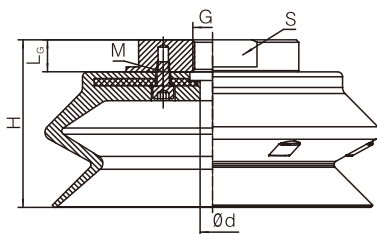
Dimensions(mm)(外形尺寸图(毫米))



SHB40[]Z~SH125[]Z Vertical direction connection (Male thread)

SHB40[]Z~SH125[]Z(外螺纹)

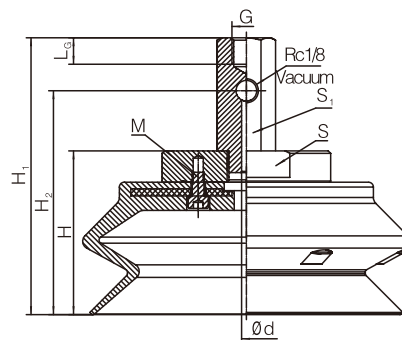
垂直真空口



SHB40[]Z~SH125[]Z Vertical direction connection (Female thread)

SHB40[]Z~SH125[]Z(内螺纹)

垂直真空口



SHB40[]X~SH125[]X Lateral direction connection (Female thread)

SHB40[]X~SH125[]X(内螺纹)

水平真空口

大型风琴形吸盘(不带缓冲)

Large Bellows Type Vacuum Pad

SHB Series-Without Buffer

Dimensions(mm)(尺寸规格(毫米))

Model(型号)	Dimensions(mm) 尺寸(毫米)	d	H	H ₁	H ₂	G	M	L _G	S	S ₁	S ₂
SHB40Z-M14		3	32	62	5	M14 × 1M	3-M3 × 0.5	25	24	19	19
SHB40Z-F8		6	32	--	--	M8 × 1.25F	3-M3 × 0.5	11.5	24	--	--
SHB40Z-F10		6	32	--	--	M10 × 1.5F	3-M3 × 0.5	11.5	24	--	--
SHB40X-F8		3	32	69	47	M8 × 1.25F	3-M3 × 0.5	11	24	21	--
SHB40X-F10		3	32	69	47	M10 × 1.5F	3-M3 × 0.5	11	24	21	--
SHB50Z-M14		3	35.5	65.5	5	M14 × 1M	3-M3 × 0.5	25	24	19	19
SHB50Z-F8		6	35.5	--	--	M8 × 1.25F	3-M3 × 0.5	11.5	24	--	--
SHB50Z-F10		6	35.5	--	--	M10 × 1.5F	3-M3 × 0.5	11.5	24	--	--
SHB50X-F8		3	35.5	72.5	50.5	M8 × 1.25F	3-M3 × 0.5	11	24	21	--
SHB50X-F10		3	35.5	72.5	50.5	M10 × 1.5F	3-M3 × 0.5	11	24	21	--
SHB63Z-M16		8	43	73	6	M16 × 1.5M	4-M4 × 0.7	25	37	24	22
SHB63Z-F8		8	43	--	--	M8 × 1.25F	4-M4 × 0.7	11.5	37	--	--
SHB63Z-F10		8	43	--	--	M10 × 1.5F	4-M4 × 0.7	11.5	37	--	--
SHB63Z-F12		8	43	--	--	M12 × 1.75F	4-M4 × 0.7	11.5	37	--	--
SHB63Z-F16		8	43	--	--	M16 × 1.5F	4-M4 × 0.7	11.5	37	--	--
SHB63X-F10		4	43	80	58	M10 × 1.5F	4-M4 × 0.7	11	37	21	--
SHB63X-F12		4	43	80	58	M10 × 1.5F	4-M4 × 0.7	11	37	21	--
SHB80Z-M16		8	48.5	78.5	6	M16 × 1.5M	4-M4 × 0.7	25	37	24	22
SHB80Z-F8		8	48.5	--	--	M8 × 1.25F	4-M4 × 0.7	11.5	37	--	--
SHB80Z-F10		8	48.5	--	--	M10 × 1.5F	4-M4 × 0.7	11.5	37	--	--
SHB80Z-F12		8	48.5	--	--	M12 × 1.75F	4-M4 × 0.7	11.5	37	--	--
SHB80Z-F16		8	48.5	--	--	M16 × 1.5F	4-M4 × 0.7	11.5	37	--	--
SHB80X-F10		4	48.5	85.5	63.5	M10 × 1.5F	4-M4 × 0.7	11	37	21	--
SHB80X-F12		4	48.5	85.5	63.5	M10 × 1.5F	4-M4 × 0.7	11	37	21	--
SHB100Z-M16		8	60.5	90.5	6	M16 × 1.5M	5-M5 × 0.8	25	60	24	22
SHB100Z-F12		10	60.5	--	--	M12 × 1.75F	5-M5 × 0.8	13	60	--	--
SHB100Z-F16		10	60.5	--	--	M16 × 1.5F	5-M5 × 0.8	13	60	--	--
SHB100X-F10		4	60.5	97.5	75.5	M10 × 1.5F	5-M5 × 0.8	11	60	21	--
SHB100X-F12		4	60.5	97.5	75.5	M12 × 1.75F	5-M5 × 0.8	11	60	21	--
SHB125Z-M16		8	69	99	6	M12 × 1.75F	5-M5 × 0.8	25	60	24	22
SHB125Z-F12		10	69	--	--	M16 × 1.5F	5-M5 × 0.8	13	60	--	--
SHB125Z-F16		10	69	--	--	M10 × 1.5F	5-M5 × 0.8	13	60	--	--
SHB125X-F10		4	69	106	84	M12 × 1.75F	5-M5 × 0.8	11	60	21	--
SHB125X-F12		4	69	106	84	M12 × 1.75F	5-M5 × 0.8	11	60	21	--