

# 组合式真空发生器(大流量型) Combined Type Vacuum Pump (Large Flow )

## TVMPL150~500 Series



### Features(产品特点)

- The TVMPL combined type high flow vacuum pump can produce very high vacuum flow. This type of pump can be used in many applications especially in high leakage systems, porous materials vacuum system and large vacuum circuits. The vacuum gauge, air pressure gauge, 1" silencer and mounting bracket are also supplied together with the pump.
- TVMPL组合式大流量真空发生器会产生非常高的真空流量，对高度泄漏、材料多孔疏松的真空系统和大的真空线路有显著的作用。该发生器配有真空表和供气压力表、1寸消声器，并且提供安装支架。

### Specifications(技术规格)

Max.vacuum Level(最大真空度)	-kPa	81
Max.vacuum Flow(最大真空流量)	l/min	3970
Air Supply Pressure(供气压力)	bar	3.4~6 Max.7
Temperature Range(温度范围)	°C	-20~80
Weight(重量)	g	3724~7929
Noise Level(噪音)	dBA	55~68

### Technical Parameters(产品参数)

Model(型号)	Air Supply Pressure (供气压力) (bar)	Max.vacuum Level (最大真空度) (-kPa)	Max.vacuum Flow (最大真空流量) (l/min)	Air Consumption (空气消耗量) (l/min)	Weight(重量) (g)	Min Tube Inner Φ(最小软管内径)(Within 2m(2m以内))		
						Air Supply(供气)	Vacuum(真空)	EXhaust(排气)
TVMPL150	6	81	1660	650	3724	>10	>32	>40
TVMPL200			1950	830	3892	>10	>32	>40
TVMPL300			2840	1240	5525	>12	>40	>60
TVMPL400			3340	1650	6447	>12	>40	>60
TVMPL500			3970	2100	7929	>14	>45	>70

### How To Order(型号表示方法)

## TVMPL150 P-N-A

①      ②      ③      ④

#### ① Model(型号)

TVMPL150    TVMPL400  
TVMPL200    TVMPL500  
TVMPL300

#### ② Exhaust Specification(排气规格)

Nil(无记号)	Standard(标准型)
P	Side Exhaust(侧口排气)

#### ③ Sealing(密封材料)

N	NBR(丁腈橡胶)
E	EPDM(三元乙丙橡胶)
V	VITON(氟橡胶)

#### ④ Non-Return Valve(止回阀)

A	Yes(有)
-	No(无)

### Parameters(参数)

Model(型号)	Vacuum Flow(l/min) At Different Vacuum Levels(-kPa)(不同真空度(-kPa)的真空流量(l/min))									Evacuation Time(s/l) To Reach Different Vacuum Levels(-kPa)(不同真空度(-kPa)的抽气时间(s/l))							
	0	10	20	30	40	50	60	70	80	10	20	30	40	50	60	70	80
TVMPL150	1660	870	720	450	240	160	115	70	32	0.007	0.019	0.028	0.051	0.105	0.198	0.21	0.37
TVMPL200	1950	1140	870	520	305	230	160	105	38	0.005	0.013	0.023	0.04	0.06	0.098	0.15	0.3
TVMPL300	2840	1660	1330	810	580	360	265	155	45	0.004	0.011	0.018	0.03	0.04	0.07	0.1	0.2
TVMPL400	3340	2200	1730	1110	630	590	370	225	80	0.003	0.008	0.01	0.015	0.03	0.06	0.08	0.15
TVMPL500	3970	2710	1990	1320	790	660	360	270	92	0.002	0.005	0.008	0.01	0.022	0.04	0.06	0.1

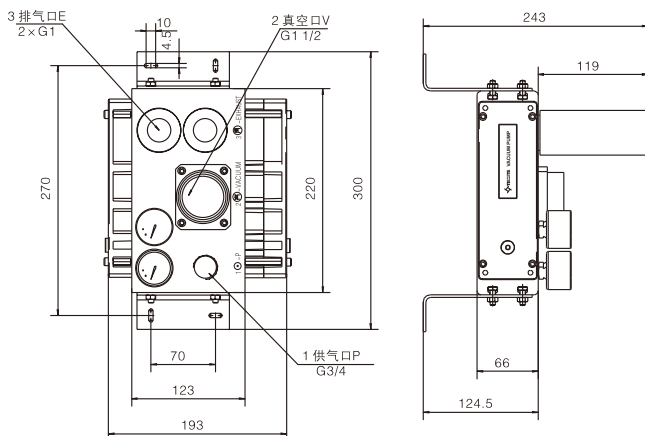
## 组合式真空发生器(大流量型)

## Combined Type Vacuum Pump (Large Flow )

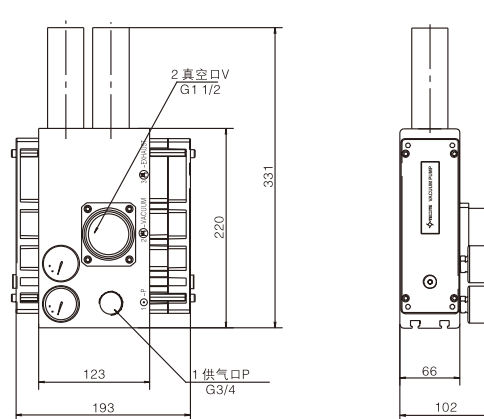
## TVMPL150~500 Series

## Dimensions (mm)(外形尺寸(毫米))

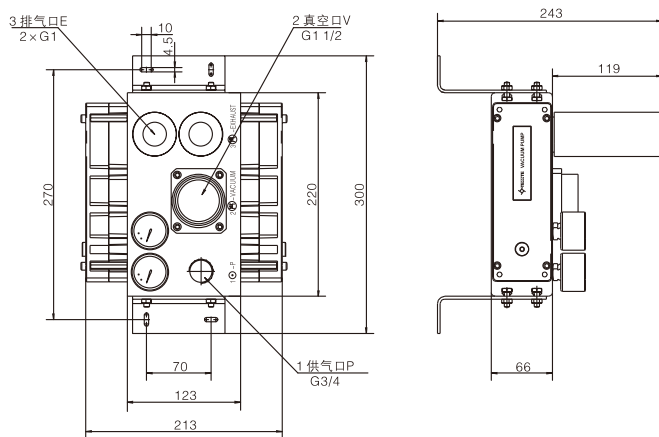
TVMPL150



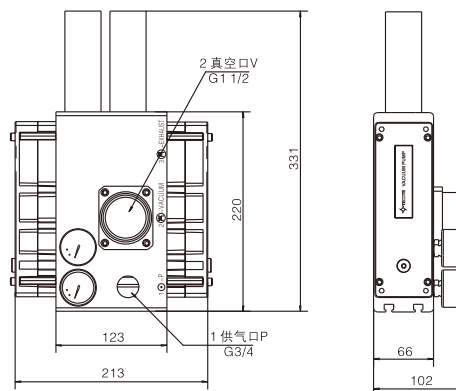
TVMPL150P



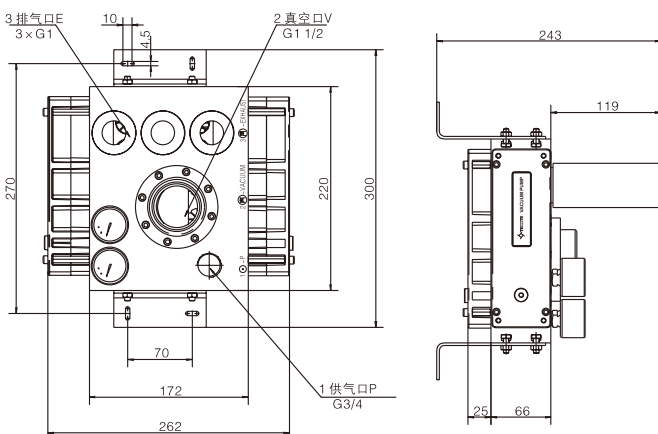
TVMPL200



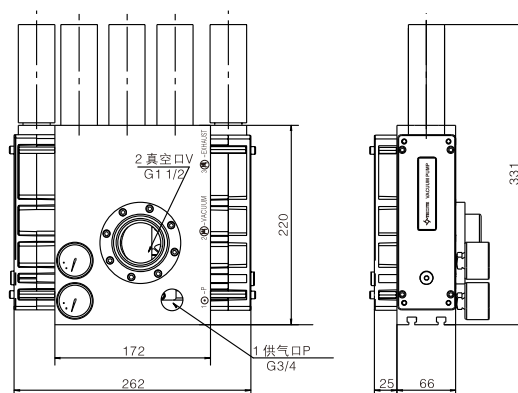
TVMPL200P



TVMPL300



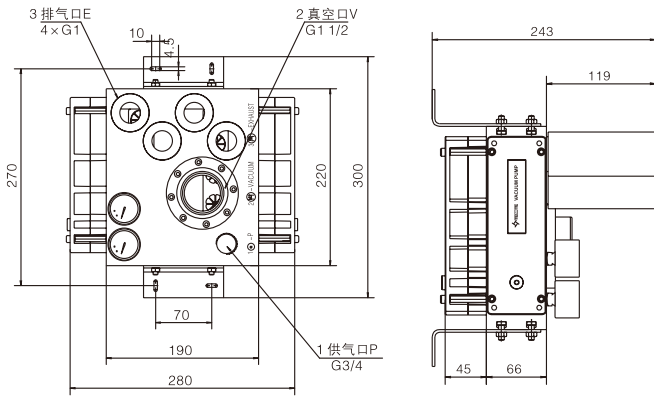
TVMPL300P



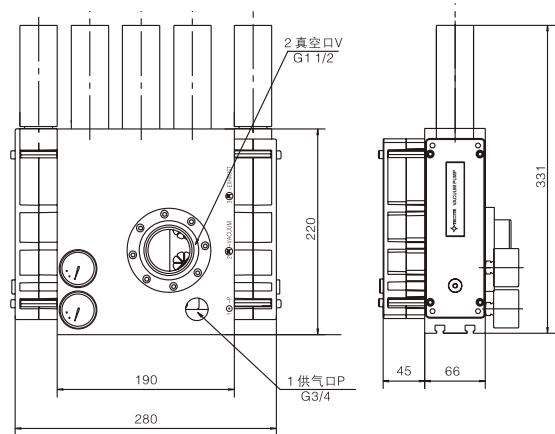
# 组合式真空发生器(大流量型) Combined Type Vacuum Pump (Large Flow)

## TMVPL150~500 Series

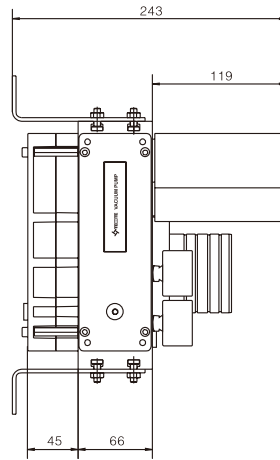
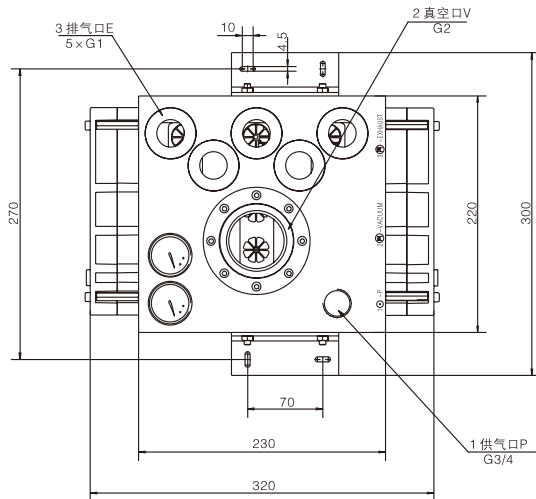
TMVPL400



TMVPL400P



TMVPL500



TMVPL500P

