

组合式真空发生器 (高真空型) Combined Type Vacuum Pump (High Vacuum Type)

TVMPH240~480 Series



Features(产品特点)

- The TVMPH combined type vacuum pump can produce very high vacuum level, meanwhile maintaining good flow rates for quick evacuation time. The vacuum gauge, air pressure gauge, 1" silencer and mounting bracket are also supplied together with the pump.
- TVMPH组合式真空发生器会产生非常高的真空度, 同时维持良好的反应时间。该发生器配有真空表和供气压力表、1寸消声器, 并且提供安装支架。

Specifications(技术规格)

Max.vacuum Level(最大真空度)	-kPa	100.5
Max.vacuum Flow(最大真空流量)	l/min	2040
Air Supply Pressure(供气压力)	bar	3.4~6 Max.7
Temperature Range(温度范围)	°C	-20~80
Weight(重量)	g	3892~6447
Noise Level(噪音)	dBA	60~65

Technical Parameters(产品参数)

Model(型号)	Air Supply Pressure (供气压力) (bar)	Max.vacuum Level (最大真空度) (-kPa)	Max.vacuum Flow (最大真空流量) (l/min)	Air Consumption (空气消耗量) (l/min)	Weight(重量) (g)	Min Tube Inner Φ (最小软管内径)(Within 2m(2m以内))		
						Air Supply(供气)	Vacuum(真空)	EXhaust(排气)
TVMPH240	6	100.5	1050	960	3892	>10	>20	>20
TVMPH480			2040	1860	6447	>12	>25	>30

How To Order(型号表示方法)

TVMPH240 P-N-A

① ② ③ ④

① Model(型号) ② Exhaust Specification(排气规格)

TVMPH240	Nil(无记号)	Standard(标准型)
TVMPH480	P	Side Exhaust(侧口排气)

③ Sealing(密封材料)

N	NBR(丁腈橡胶)
E	EPDM(三元乙丙橡胶)
V	VITON(氟橡胶)

④ Non-Return Valve(止回阀)

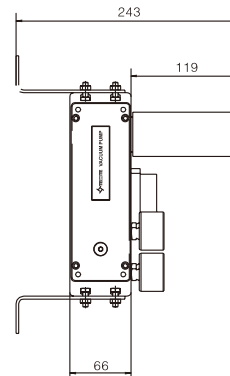
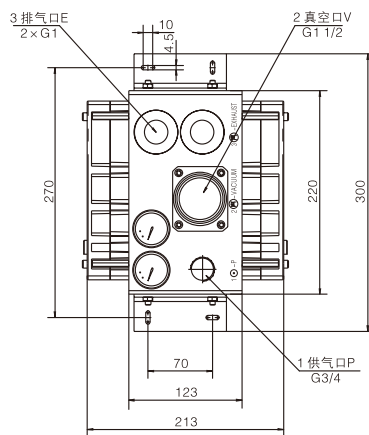
A	Yes(有)
-	No无

Parameters(参数)

Model(型号)	Vacuum Flow(l/min) At Different Vacuum Levels(-kPa)(不同真空度(-kPa)的真空流量(l/min))												Evacuation Time(s/l) To Reach Different Vacuum Levels(-kPa)(不同真空度(-kPa)的抽气时间(s/l))										
	0	10	20	30	40	50	60	70	80	90	95	99	10	20	30	40	50	60	70	80	90	95	99
TVMPH240	1050	820	560	310	155	125	85	70	39	20	8	1.3	0.006	0.014	0.03	0.06	0.11	0.17	0.25	0.38	0.7	1.1	2.2
TVMPH480	2040	1600	1150	690	345	270	210	120	110	19	15	2.5	0.004	0.01	0.02	0.03	0.05	0.08	0.13	0.2	0.37	0.55	1.2

Dimensions (mm)(外形尺寸(毫米))

TVMPH240



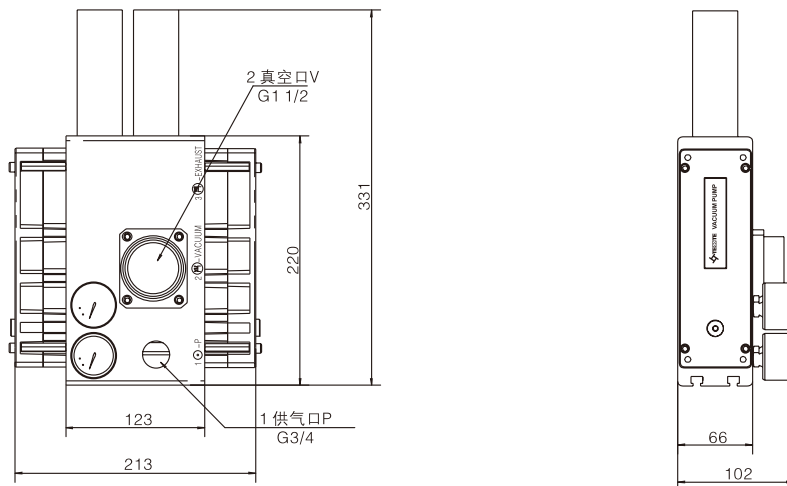
组合式真空发生器（高真空型）

Combined Type Vacuum Pump (High Vacuum Type)

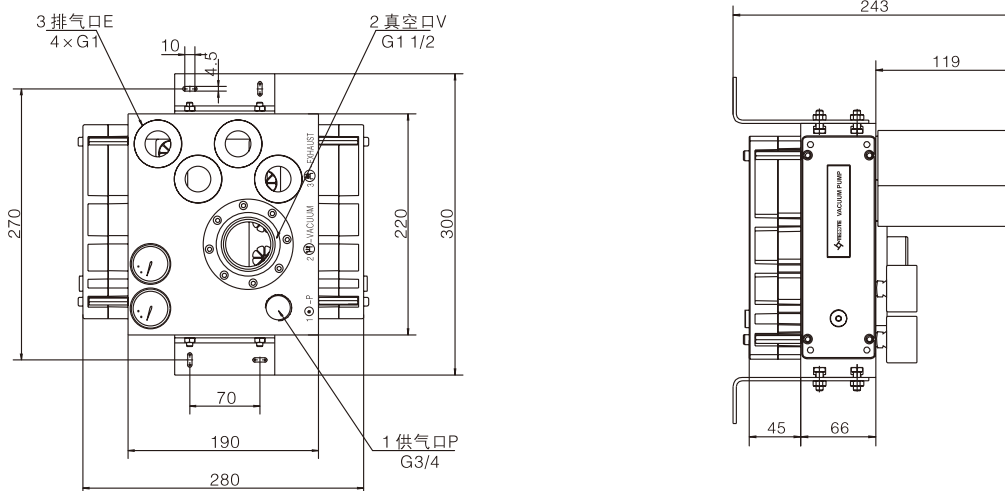
TVMPH240~480 Series

Dimensions (mm)(外形尺寸(毫米))

TVMPH240P



TVMPH480



TVMPH480P

