



Features(产品特点)

- Small volume, easy to install
- Low air consumption, produce vacuum quickly
- 体积小, 安装方便
- 耗气量低, 快速产生真空

Model(型号规格)

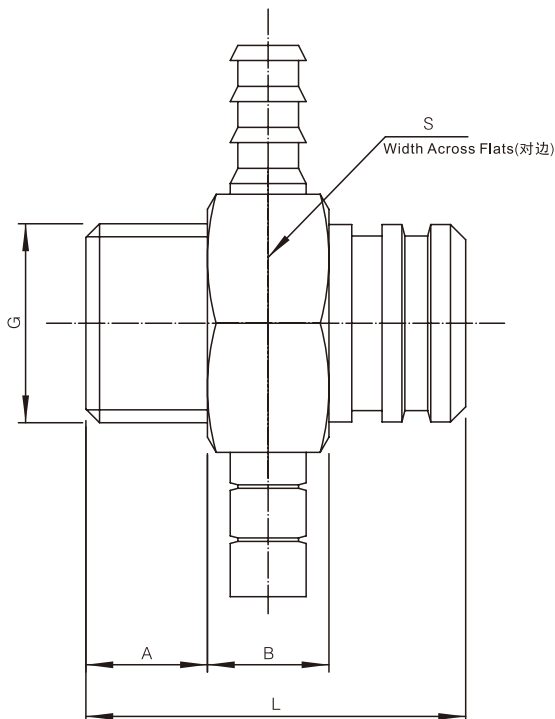
Model(型号)	Connection Thread (Male Thread)(连接螺纹规格(外螺纹))
AQV	M5
	M8
	G1/8
	G1/4

Technical Parameters(性能参数)

Model(型号)	Max. vacuum Flow l/min (最大真空流量) (6bar)	Max. vacuum Level (最大真空度) -kPa	Air Supply Pressure (供气压力) bar	Air Consumption l/min (空气消耗量) (6bar)	Weight (重量) g
AQV-M5	4	81	6	12	15.5
AQV-M8	1	83		11	18.8
AQV-G1/8	3.5	78		14.5	16.8
AQV-G1/4	11.5	82		27	30.4

Dimensions (mm)(外形尺寸(毫米))

AQV-M5~AQV-G1/4



Model(型号)	G	L	B	A	S
AQV-M5	M5	16.5	5	5	10
AQV-M8	M8	28	8	17.5	13
AQV-G1/8	G1/8	19.5	7	7	14
AQV-G1/4	G1/4	25	8	8	17