

How To Order(型号表示方法)



AZPT 02 U N - A5

① ② ③ ④
 Refer to the pad model on page 82
 请参阅吸盘型号 82 页
 Vacuum entry (Refer to table ①)
 真空口连接 (见右表 ①)

Connection (接管方式)	Male Thread (外螺纹)
Vacuum Entry Direction (真空口方向)	Vertical (垂直方向)
Mounting (安装连接方式)	Use Connection For Vacuum Entry (利用安装连接螺纹)
Connection (接管方式)	Female Thread (内螺纹)
Vacuum Entry Direction (真空口方向)	Vertical (垂直方向)
Mounting (安装连接方式)	Use Connection For Vacuum Entry (利用安装连接螺纹)

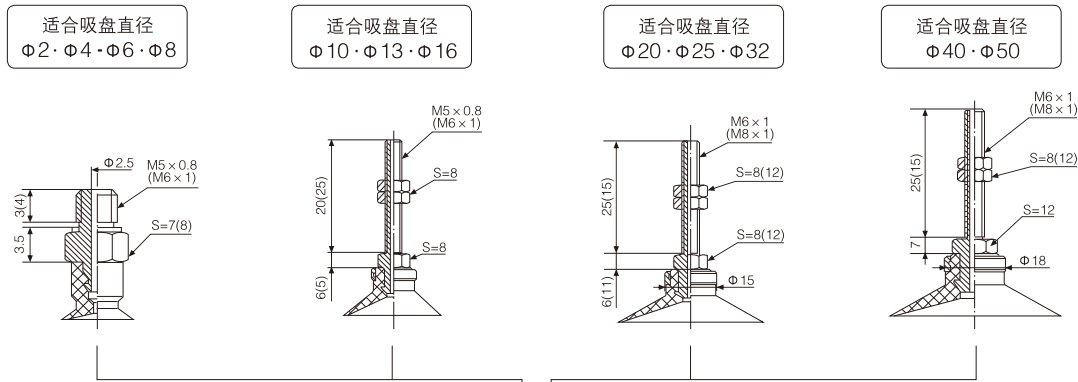
Table ①

Connection Thread (连接)	Symbol (记号)	Thread Dia (螺纹直径)	Φ2~Φ8	Φ10~Φ16	Φ20~Φ32	Φ40~Φ50
Male Thread (外螺纹)	A5	M5 × 0.8	•	•	-	-
	A6	M6 × 1	•	-	•	•
	A8	M8 × 1	-	-	•	•
Female Thread (内螺纹)	B4	M4 × 0.7	•	-	-	-
	B5	M5 × 0.8	•	•	•	-
	B6	M6 × 1	-	•	•	•
	B8	M8 × 1.25	-	-	•	•
	B01	Rc1/8	-	•	•	•

(•--Selective)

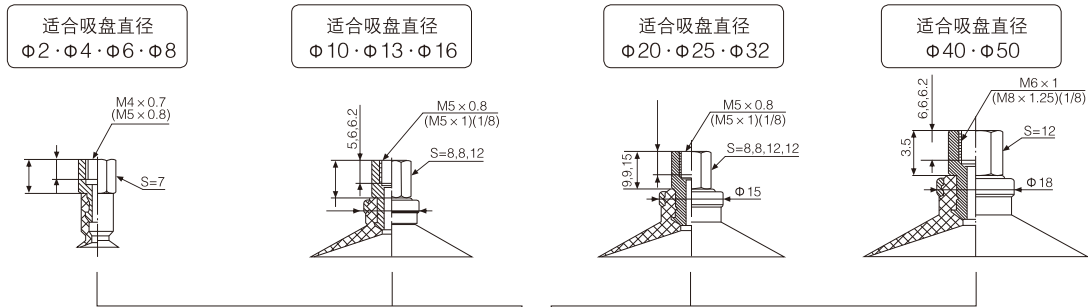
Dimensions(mm)(外形尺寸图(毫米))

- Male Thread Connection
- 外螺纹连接



Refer to the pad dimensions on page 82
 各类吸盘尺寸图见82页

- Female thread connection
- 内螺纹连接



Refer to the pad dimensions on page 82
 各类吸盘尺寸图见82页

S:Width Across Flats
 S:六角对边尺寸