

# 垂直真空口接管吸盘(带缓冲)

## Vertical Vacuum Entry With Buffer

AIRBEST Series

### AZPT Series

#### How To Order(型号表示方法)



Connection (接管方式)	Female Thread、Barb Fitting、One-Touch Fitting (内螺纹、倒钩接头、快换接头)
Vacuum Entry Direction (真空口方向)	Vertical (垂直方向)
Mounting (安装连接方式)	Use Male Thread (利用缓冲本体外螺纹)

### AZPT 02 U N J □ - B3 - A8

① ② ③ ④ ⑤ ⑥ ⑦

①②③ Refer To The Pad Model On Page 82  
⑤ Buffer Stroke(mm) (缓冲行程(mm))

④ Buffer Style (缓冲形式)

J	Rotating (可回转型)
K	Non-Rotating (不可回转型)

⑥ Vacuum Entry  
(Refer To Table①)  
(⑥真空口连接(见右上表①))  
(⑦ Mounting Thread

Refer To Table①)  
(⑦安装连接方式(见右上表①))

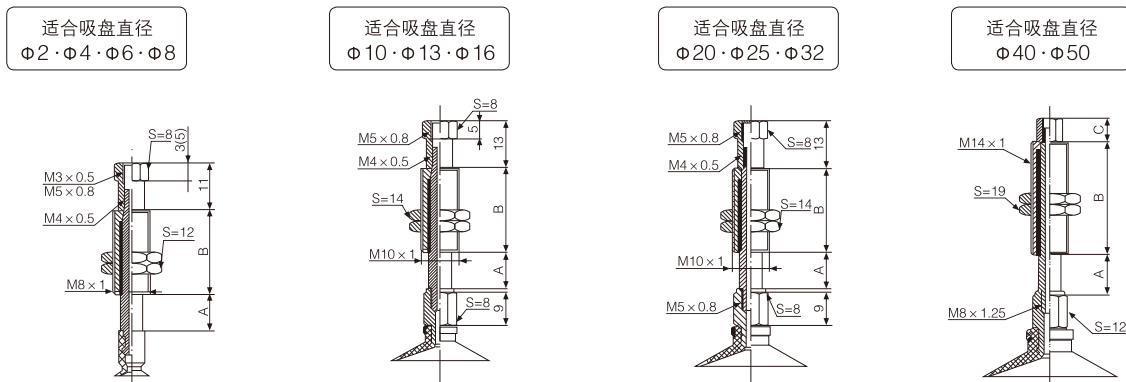
Buffer Stroke (缓冲行程)	Pad Diameter(mm) (适合吸盘直径)
6	Φ2~Φ8
10	Φ2~Φ50
15	Φ2~Φ8
20	Φ10~Φ50
25	Φ2~Φ8
30	Φ10~Φ50
40	Φ10~Φ32
50	Φ10~Φ50

Table① (表①)

Connection Thread (连接)		Symbol (记号)	Thread Dia (螺纹直径)	Φ2~Φ8	Φ10~Φ32	Φ40~Φ50
Barb Fitting (真空口连接)	Female Thread (内螺纹)	B3	M3×0.5	●		
		B5	M5×0.8	●	●	●
		B01	Rc1/8			●
	Vacuum Entry (倒钩接头)	N4	Φ4 Nylon Tube (Φ4尼龙管)	●		
		N6	Φ6 Nylon Tube (Φ6尼龙管)		●	●
		U4	Φ4 PU Tube (软管)	●		
Touch Fitting (快换接头)	U6	Φ6 PU Tube (软管)		●	●	
	4	Φ4 Tube(管子)	●	●		
	6	Φ6 Tube(管子)	●	●	●	
Mounting (安装连接方式)	Male Thread (外螺纹)	8	Φ8 Tube(管子)			●
		A8	M8×1	●		
		A10	M10×1		●	
		A14	M14×1			●

#### Dimensions(mm)(外形尺寸图(毫米))

• Female Thread Connection (内螺纹连接)



Refer To The Pad Dimensions On Page 82  
各类吸盘尺寸图见82页

S:Width Across Flats  
S:六角对边尺寸

Buffer Stroke (缓冲行程)	A	B
6	6	15
10	11	43
15	16	
25	26	

(mm)

Buffer Stroke (缓冲行程)	A	B
10	11.5	23
20	21.5	51
30	31.5	51
40	41.5	77
50	51.5	77

(mm)

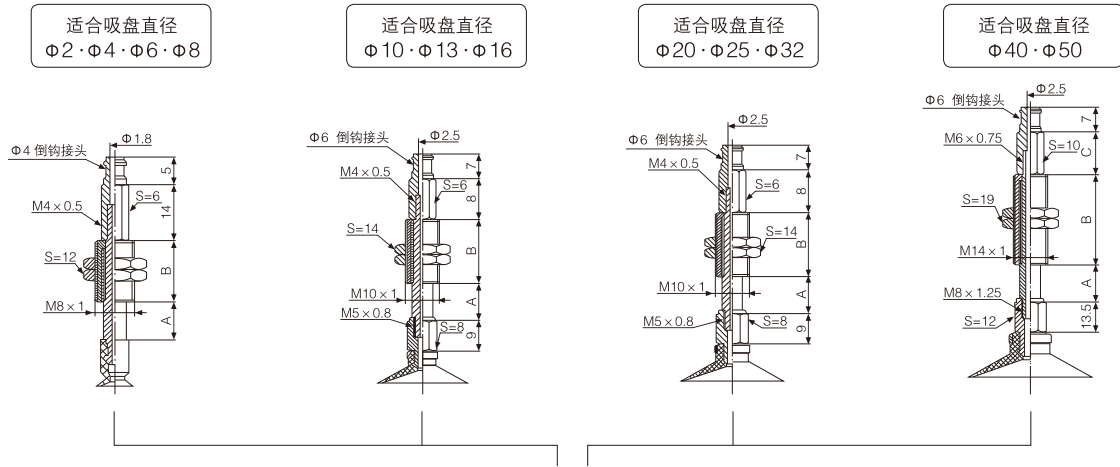
Buffer Stroke (缓冲行程)	A	B
10	11.5	23
20	21.5	51
30	31.5	51
40	41.5	77
50	51.5	77

(mm)

Buffer Stroke (缓冲行程)	A	B	C	
			M5	1/8
10	12.5	50	15	16.5
20	22.5		9	12
30	32.5			
50	52.5	75		

(mm)

• Barb Fitting Connection (倒钩接头)



Refer to the pad dimensions on page 82  
各类吸盘尺寸图见82页

S:Width Across Flats  
S:六角对边尺寸

Buffer Stroke (缓冲行程)	A	B
6	6	15
10	11	43
15	16	
25	26	

(mm)

Buffer Stroke (缓冲行程)	A	B
10	11.5	23
20	21.5	51
30	31.5	51
40	41.5	77
50	51.5	77

(mm)

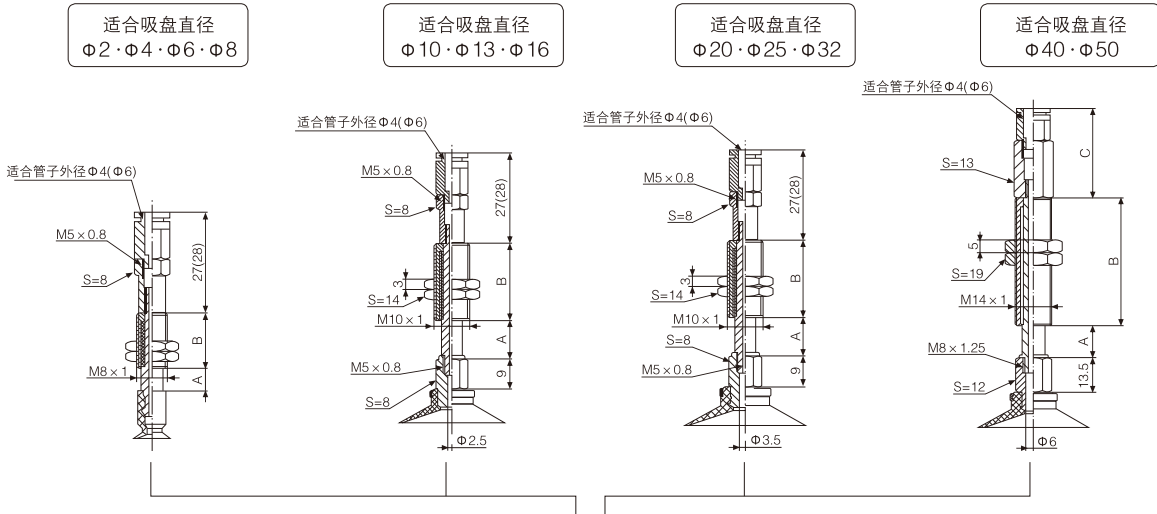
Buffer Stroke (缓冲行程)	A	B
10	11.5	23
20	21.5	51
30	31.5	51
40	41.5	77
50	51.5	77

(mm)

Buffer Stroke (缓冲行程)	A	B	C	
			Φ6	Φ8
10	12.5	50	35	39.5
20	22.5		19.9	24.9
30	32.5			
50	52.5	75		

(mm)

• One-Touch Fitting Connection (快换接头连接)



Refer to the pad dimensions on page 82  
各类吸盘尺寸图见82页

S:Width Across Flats  
S:六角对边尺寸

Buffer Stroke (缓冲行程)	A	B
6	6	15
10	11	43
15	16	
25	26	

(mm)

Buffer Stroke (缓冲行程)	A	B
10	11.5	23
20	21.5	51
30	31.5	51
40	41.5	77
50	51.5	77

(mm)

Buffer Stroke (缓冲行程)	A	B
10	11.5	23
20	21.5	51
30	31.5	51
40	41.5	77
50	51.5	77

(mm)

Buffer Stroke (缓冲行程)	A	B	C	
			Φ6	Φ8
10	12.5	50	35	39.5
20	22.5		19.9	24.9
30	32.5			
50	52.5	75		

(mm)