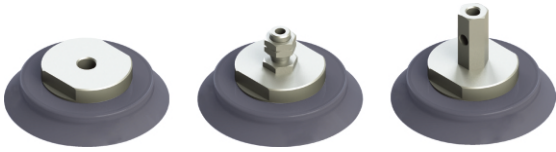


Features(特征)

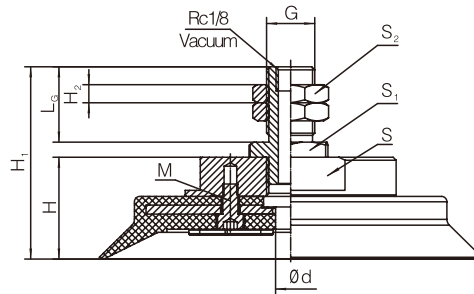


- Various sizes, suitable for workpiece with different shapes and sizes
- Various materials are available, suitable for workpiece with different materials and different working conditions
- Heavy load design, suitable for heavy load handling in various industry
- 尺寸型号齐全, 适合不同形状和尺寸的工作
- 吸盘有多种材料可供选择, 以适应不同材质的工件以及不同的工作环境
- 重载型设计, 适用于各种工业重型搬运

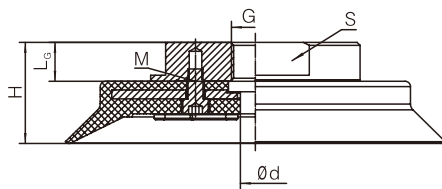
Model(型号规格)

Model(型号)	Diameter(mm)(直径)	Material And Color(材质及颜色)	Vacuum Entry Eirection (真空连接方向)	Connection Thread(连接螺纹规格)
SH	40	N-NBR (Black) (黑色) S-Silicone(White) (S-硅橡胶 (白色))	Z-Vertical (垂直方向) X-Lateral (水平方向)	F8-M8X1.25F
	50			F10-M10X1.5F
	63			F12-M12X1.75F
	80			M14-M14X1M
	100			M16-M16X1.5M
125	F-M16X1.5F			

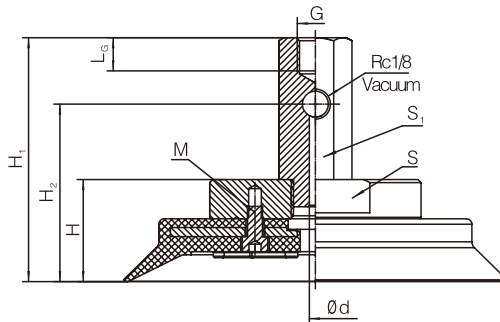
Dimensions(mm)(尺寸规格(毫米))



SH40 [ ]Z~SH125[ ]Z Vertical direction connection (Male thread)  
SH40[ ]Z SH125[ ]Z(外螺纹)  
垂直真空口



SH40 [ ]Z~SH125[ ]Z Vertical direction connection (Female thread)  
SH40[ ]Z~SH125[ ]Z(内螺纹)  
垂直真空口



Sh40[ ]X~SH125[ ]X Lateral direction connection (Female thread)  
SH40[ ]X~SH125[ ]X(内螺纹)  
水平真空口

# 大型吸盘(不带缓冲)

AIRBEST Series

## Large Type Vacuum Pad

### SH Series-Without Buffer

#### Dimensions (mm)(外形尺寸(毫米))

Model(型号)	d	H	H <sub>1</sub>	H <sub>2</sub>	h	G	M	L <sub>G</sub>	S	S <sub>1</sub>	S <sub>2</sub>
SH40Z-M14	3	23	53	5	3	M14 × 1M	3-M3 × 0.5	25	24	19	19
SH40Z-F8	6	23	--	--	3	M8 × 1.25F	3-M3 × 0.5	11.5	24	--	--
SH40Z-F10	6	23	--	--	3	M10 × 1.5F	3-M3 × 0.5	11.5	24	--	--
SH40X-F8	3	23	60	38	3	M8 × 1.25F	3-M3 × 0.5	11	24	21	--
SH40X-F10	3	23	60	38	3	M10 × 1.5F	3-M3 × 0.5	11	24	21	--
SH50Z-M14	3	23	53	5	3	M14 × 1M	3-M3 × 0.5	25	24	19	19
SH50Z-F8	6	23	--	--	3	M8 × 1.25F	3-M3 × 0.5	11.5	24	--	--
SH50Z-F10	6	23	--	--	3	M10 × 1.5F	3-M3 × 0.5	11.5	24	--	--
SH50X-F8	3	23	60	38	3	M8 × 1.25F	3-M3 × 0.5	11	24	21	--
SH50X-F10	3	23	60	38	3	M10 × 1.5F	3-M3 × 0.5	11	24	21	--
SH63Z-M16	8	26	56	6	3.5	M16 × 1.5M	4-M4 × 0.7	25	37	24	22
SH63Z-F8	8	26	--	--	3.5	M8 × 1.25F	4-M4 × 0.7	11.5	37	--	--
SH63Z-F10	8	26	--	--	3.5	M10 × 1.5F	4-M4 × 0.7	11.5	37	--	--
SH63Z-F12	8	26	--	--	3.5	M12 × 1.75F	4-M4 × 0.7	11.5	37	--	--
SH63Z-F16	8	26	--	--	3.5	M16 × 1.5F	4-M4 × 0.7	11.5	37	--	--
SH63X-F10	4	26	63	41	3.5	M10 × 1.5F	4-M4 × 0.7	11	37	21	--
SH63X-F12	4	26	63	41	3.5	M10 × 1.5F	4-M4 × 0.7	11	37	21	--
SH80Z-M16	8	28	58	6	4.5	M16 × 1.5M	4-M4 × 0.7	25	37	24	22
SH80Z-F8	8	28	--	--	4.5	M8 × 1.25F	4-M4 × 0.7	11.5	37	--	--
SH80Z-F10	8	28	--	--	4.5	M10 × 1.5F	4-M4 × 0.7	11.5	37	--	--
SH80Z-F12	8	28	--	--	4.5	M12 × 1.75F	4-M4 × 0.7	11.5	37	--	--
SH80Z-F16	8	28	--	--	4.5	M16 × 1.5F	4-M4 × 0.7	11.5	37	--	--
SH80X-F10	4	28	65	43	4.5	M10 × 1.5F	4-M4 × 0.7	11	37	21	--
SH80X-F12	4	28	65	43	4.5	M10 × 1.5F	4-M4 × 0.7	11	37	21	--
SH100Z-M16	8	34	64	6	7.5	M16 × 1.5M	5-M5 × 0.8	25	60	24	22
SH100Z-F12	10	34	--	--	7.5	M12 × 1.75F	5-M5 × 0.8	13	60	--	--
SH100Z-F16	10	34	--	--	7.5	M16 × 1.5F	5-M5 × 0.8	13	60	--	--
SH100X-F10	10	34	71	49	7.5	M10 × 1.5F	5-M5 × 0.8	11	60	21	--
SH100X-F12	10	34	71	49	7.5	M12 × 1.75F	5-M5 × 0.8	11	60	21	--
SH125Z-M16	8	34	64	6	7.5	M12 × 1.75F	5-M5 × 0.8	25	60	24	--
SH125Z-F12	10	34	--	--	7.5	M16 × 1.5F	5-M5 × 0.8	13	60	--	--
SH125Z-F16	10	34	--	--	7.5	M10 × 1.5F	5-M5 × 0.8	13	60	--	--
SH125X-F10	10	34	71	49	7.5	M12 × 1.75F	5-M5 × 0.8	11	60	21	--
SH125X-F12	10	34	71	49	7.5	M12 × 1.75F	5-M5 × 0.8	11	60	21	--