

水平真空口接管吸盘(不带缓冲)

Horizontal Vacuum Entry Without Buffer

AIRBEST Series

AZPR Series

How To Order(型号表示方法)



Connection (接管方式)	One-Touch Fitting (快换接头)
Vacuum Entry Direction (真空口方向)	Lateral (水平方向)
Mounting (安装连接方式)	Male Thread (外螺纹)



Connection (接管方式)	One-Touch Fitting (快换接头)
Vacuum Entry Direction (真空口方向)	Lateral (水平方向)
Mounting (安装连接方式)	Female Thread (内螺纹)

Table ① (表①)

Connection (连接)		Symbol (记号)	Tube/Male Thread (软管/外螺纹)	Φ2~Φ8	Φ10~Φ16	Φ20~Φ32	Φ40~Φ50
Vacuum Entry (真空口连接)	One-Touch Fitting (快换接头)	04	Φ4 Tube(软管)	●	●	●	-
		06	Φ6 Tube(软管)	●	●	●	●
		08	Φ8 Tube(软管)	-	-	●	●
Mounting (安装连接方式)	Male Thread (外螺纹)	A5	M5 × 0.8	●	●	-	-
		A6	M6 × 1	●	●	●	●
		A8	M8 × 1	-	-	●	●
		B4	M4 × 0.7	●	-	-	-
	Female Thread (内螺纹)	B5	M5 × 0.8	●	●	●	-
		B6	M6 × 1	-	●	●	●
		B8	M8 × 1.25	-	-	●	●

AZPR 02 U N - 04 - A5

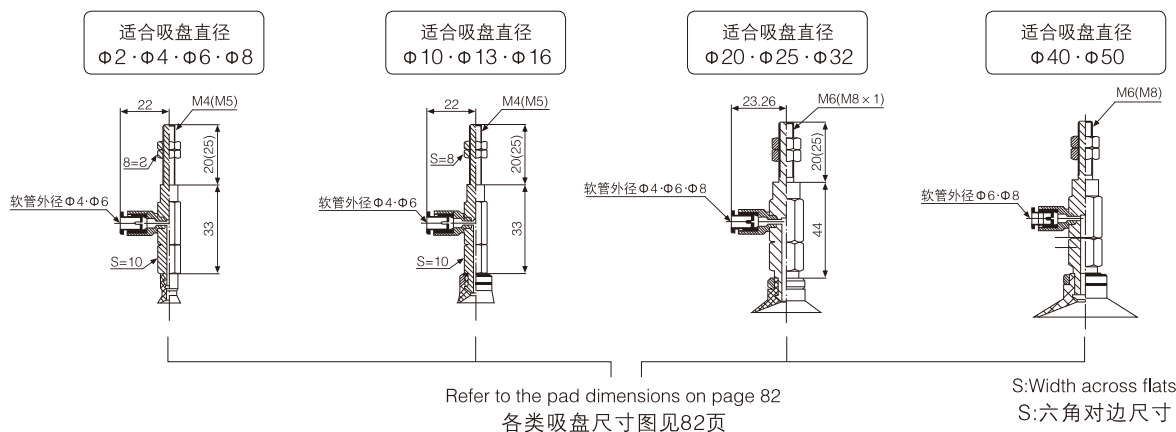
① ② ③ ④ ⑤

- ①②③ Refer to the pad model on page 82
- ④ Vacuum entry(Refer to table ①)
- ⑤ Mounting thread(Refer to table ①)

- ①②③ 请参阅吸盘型号82页
- (④真空口连接 (见右上表①))
- (⑤安装连接方式 (见右表①))

Dimensions(mm)(外形尺寸图(毫米))

• Male Thread Connection (外螺纹连接)



• Female Thread Connection (内螺纹连接)

