



How To Order(型号表示方法)

SPA T K- 10 - N

① ② ③

① Vacuum Entry Direction
(真空口方向)

T	Vertical (垂直方向)
Y	Lateral (水平方向)

② Pad Diameter(mm)
(吸盘直径)

10	25
15	30
20	-

③ Pad Material
(吸盘材料)

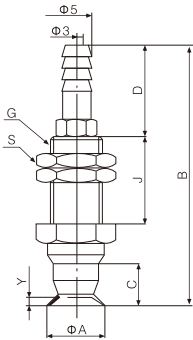
N	Nitrile Rubber (丁腈橡胶)
S	Silicone (硅胶)
NE	Conductive Nitrile Rubber(导电性丁腈橡胶)
SE	Conductive Silicone(导电性硅胶)

Dimensions(mm)(外形尺寸图(毫米))

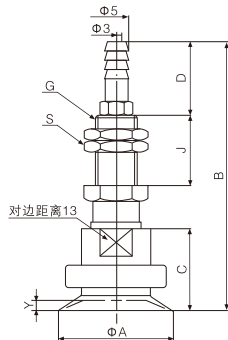
Vertical Direction Connection (垂直方向连接)

• SPATK (型号)

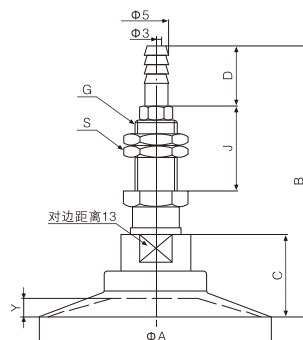
适合吸盘直径 $\Phi 10 \cdot \Phi 15 \cdot \Phi 20$



适合吸盘直径 $\Phi 25 \cdot \Phi 30$



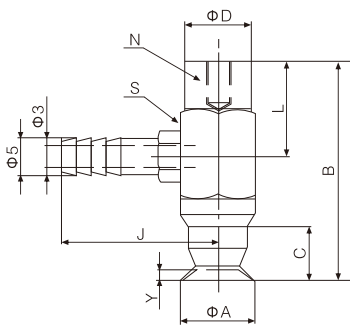
适合吸盘直径 $\Phi 40 \cdot \Phi 50$



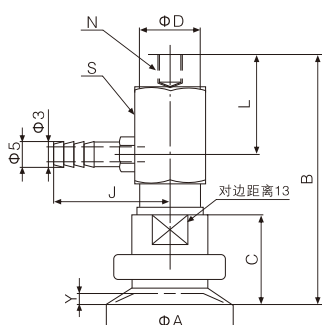
Lateral Direction Connection (水平方向连接)

• SPAYK (型号)

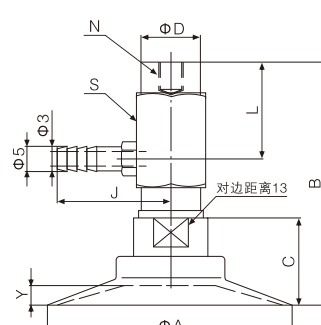
适合吸盘直径 $\Phi 10 \cdot \Phi 15 \cdot \Phi 20$



适合吸盘直径 $\Phi 25 \cdot \Phi 30$



适合吸盘直径 $\Phi 40 \cdot \Phi 50$



S:Width Across Flats
S:六角对边尺寸

SPATK (型号)	A	B	C	D	Y	S	G	J
SPATK-10	10	46	7.5	16	0.6	12H	M9 x 1	15.5
SPATK-15	15	46	7.5	16	0.9	12H	M9 x 1	15.5
SPATK-20	20	48.5	10	16	1.2	12H	M9 x 1	15.5
SPATK-25	25	67.2	18	16	1.5	14H	M10	20
SPATK-30	30	67.2	18	16	1.8	14H	M10	20
SPATK-40	40	67.2	18	16	0.6	14H	M10	20
SPATK-50	50	67.2	18	16	0.6	14H	M10	20

SPAYK (型号)	A	B	C	D	Y	S	N	J
SPAYK-10	10	30	7.5	10	0.6	12	M4depth6	16
SPAYK-15	15	30	7.5	10	0.9	12	M4depth6	16
SPAYK-20	20	32.5	10	10	1.2	12	M4depth6	16
SPAYK-25	25	51.5	18	12	1.5	14	M6depth8	18
SPAYK-30	30	51.5	18	12	1.8	14	M6depth8	18
SPAYK-40	40	51.5	18	12	0.6	14	M6depth8	18
SPAYK-50	50	51.5	18	12	0.6	14	M6depth8	18