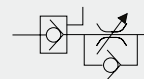


带调速的气动单向阀

Speed Controller With Pilot Check Valve

TCPV Series

图形符号



2



Common Specification (共同规格)

Fluid(流体)	Air(空气)
Ambient Temperature(环境温度)	0°C~60°C
Operating Pressure(使用压力)	1~9.9kgf/cm ² (100~0.99MPa)
Negative Pressure(负压)	-750mmHg(750Torr)
Applicable Tube(适用软管)	Polyurethane, Nylon(聚氨酯, 尼龙)

Features(特点)

- Integrated type of speed controller and pilot check valve.
- Tube can be mounted freely (in 360°).
- 调速器和先导单向阀集成式。
- 配管360° 自由安装。

Applications(应用)

- Apply temporary stop to cylinder.(使气缸瞬间停止)
- Adjust cylinder speed.(控制气缸速度)

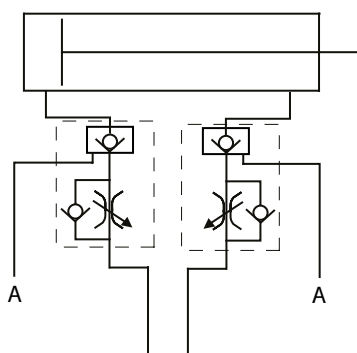
How To Order (型号表示方法)

TCPV 01 - 02

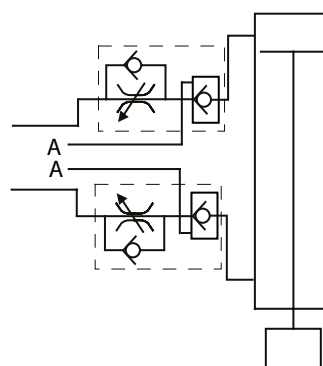
Port Size 接管口径	
01	R(PT)1/8
02	R(PT)1/4
03	R(PT)3/8
04	R(PT)1/2

Applicable Tube Size 配管尺寸	
06	Ø6 Tube
08	Ø8 Tube
10	Ø10 Tube
12	Ø12 Tube

Examples (示例)



Cylinder piston can be stopped at any positions by controlling at A.

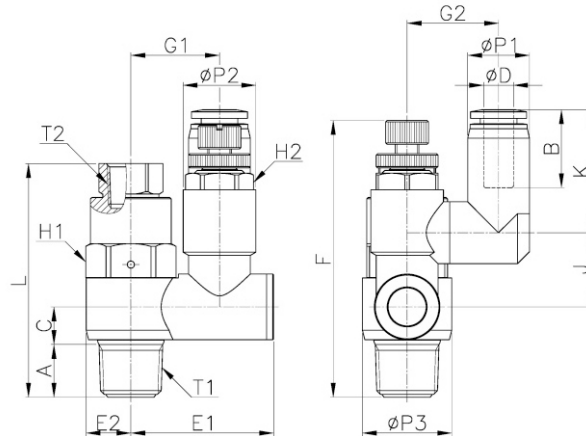


Even when air inlet port of A is blocked or when A is OFF, up down weight deflection can be prevented.

带调速的气动单向阀 Speed Controller With Pilot Check Valve

TCPV Series

Dimensions(mm)(外形尺寸图(毫米))



Unit: mm

Model(型号)	A	B	C	ØD	E1	E2	F/Min.	F/Max.	G1	G2	H1 (Hex)	H2 (Hex)	J	K	L
TCPV0106	8.5	16.4	7.6	6	24.2	7.0	50.6	55.4	14.3	14.2	12	10	12.9	24.0	41.0
TCPV0206	11.1	16.4	7.9	6	30.1	9.4	57.1	61.9	18.7	19.3	17	13	15.6	25.9	49.1
TCPV0108	8.5	18.3	7.9	8	24.2	7.1	50.6	55.4	14.3	15.4	12	10	12.6	24.9	41.0
TCPV0208	11.1	18.3	7.6	8	30.1	9.4	57.1	61.9	18.7	18.3	17	13	15.9	28.3	49.1
TCPV0308	11.9	18.3	10.6	8	37.1	11.5	67.2	72.2	22.8	23.3	19	17	19.1	29.3	56.9
TCPV0310	11.9	20.2	10.6	10	37.1	11.5	67.2	72.2	22.8	23.3	19	17	19.1	31.7	56.9
TCPV0410	14.9	20.2	13.1	10	47.4	14.4	81.3	87.0	29.1	26.3	24	23	25.6	33.1	70.8
TCPV0312	11.9	22.9	10.6	12	37.1	11.5	67.2	72.2	22.8	23.3	19	17	19.1	34.4	56.9
TCPV0412	14.9	22.9	13.1	12	47.4	14.4	81.3	87.0	29.1	26.3	24	23	25.6	35.8	70.8

Model(型号)	ØP1	ØP2	ØP3	T1	T2	WEIGHT (g)	BOX (EA)
TCPV0106	12.5	12.0	14.2	R(PT)1/8	M5	39.6	20
TCPV0206	13.0	15.3	18.8	R(PT)1/4	Rc(PT)1/8	71.4	20
TCPV0108	14.8	12.0	14.2	R(PT)1/8	M5	41.6	20
TCPV0208	14.8	15.3	18.8	R(PT)1/4	Rc(PT)1/8	76.4	20
TCPV0308	15.0	20.2	23.0	R(PT)3/8	Rc(PT)1/8	128.9	9
TCPV0310	17.5	20.2	23.0	R(PT)3/8	Rc(PT)1/8	130.9	9
TCPV0410	17.5	27.2	28.7	R(PT)1/2	Rc(PT)1/4	244.6	6
TCPV0312	20.5	20.2	23.0	R(PT)3/8	Rc(PT)3/8	138.9	6
TCPV0412	20.5	27.2	28.7	R(PT)1/2	Rc(PT)1/4	234.6	6