

三段式吸盘附接头固定式金属配件

AIRBEST Series

Three Stage Bellows Type Vacuum Pad With Locking Fittings

SPCTK / SPCYK Series



How To Order(型号表示方法)

SPC T K - 10 - N

- ① Vacuum Entry Direction (真空口方向) ② Pad Diameter(mm) (吸盘直径) ③ Pad Material (吸盘材料)

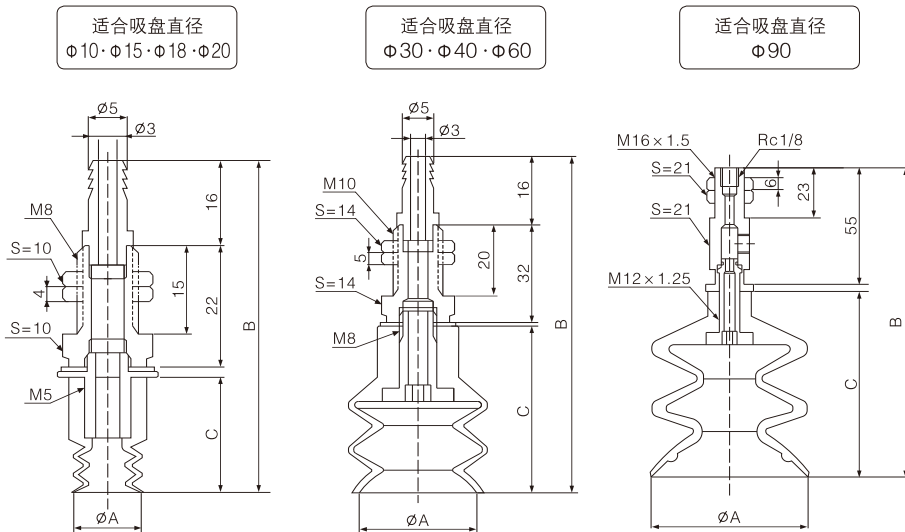
T	Vertical (垂直方向)
Y	Lateral (水平方向)

10
15
20
25
30

N	Nitrile Rubber (丁腈橡胶)
S	Silicone (硅胶)
NE	Conductive Nitrile Rubber(导电性丁腈橡胶)
SE	Conductive Silicone(导电性硅胶)

Dimensions(mm)(外形尺寸图(毫米))

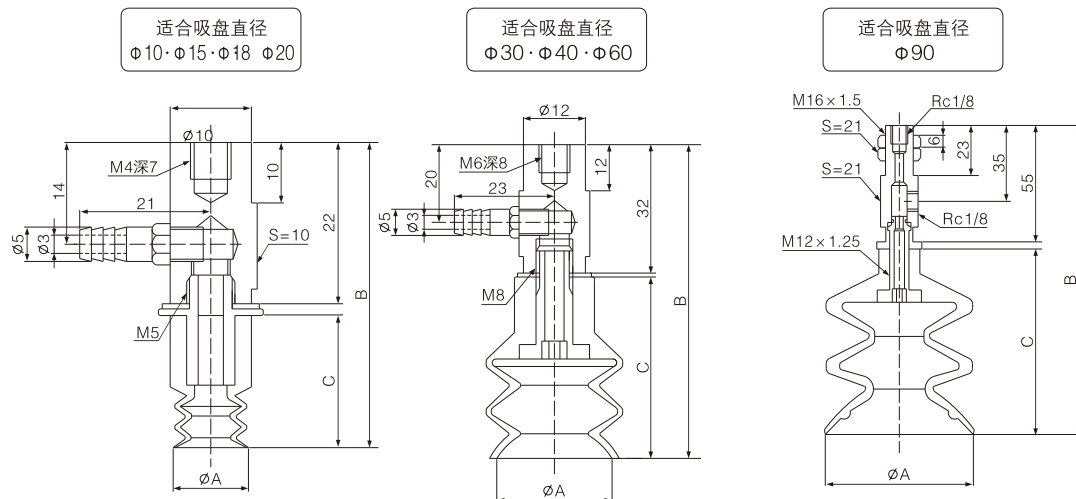
Vertical Direction Connection (垂直方向连接) · SPCTK (型号)



Model(型号)	A	B	C
SPCTK-10	9	56.2	15
SPCTK-15	14	64.2	23
SPCTK-18	17.5	64.2	23
SPCTK-20	20	64.2	23
SPCTK-30	32	86.8	37.5
SPCTK-40	42	95.3	46
SPCTK-60	62	104.3	56
SPCTK-90	88	144.8	87.5

Model(型号)	A	B	C
SPCYK-10	9	40.2	15
SPCYK-15	14	48.2	23
SPCYK-18	17.5	48.2	23
SPCYK-20	20	48.2	23
SPCYK-30	32	70.8	37.5
SPCYK-40	42	79.3	46
SPCYK-60	62	88.3	56
SPCYK-90	88	144.8	87.5

Lateral Direction Connection (水平方向连接) · SPCYK (型号)



S:Width Across Flats
S:六角对边尺寸