



## 标准吸盘固定金属底座(快速接管型)

AIRBEST Series

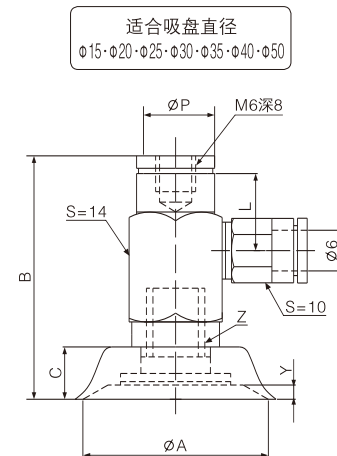
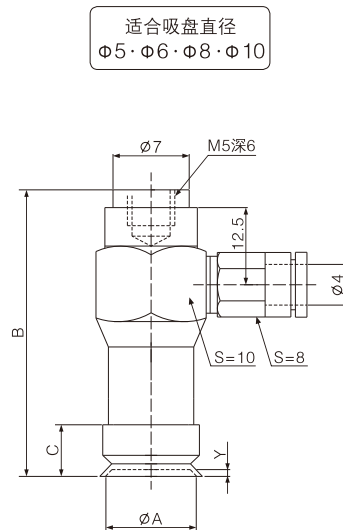
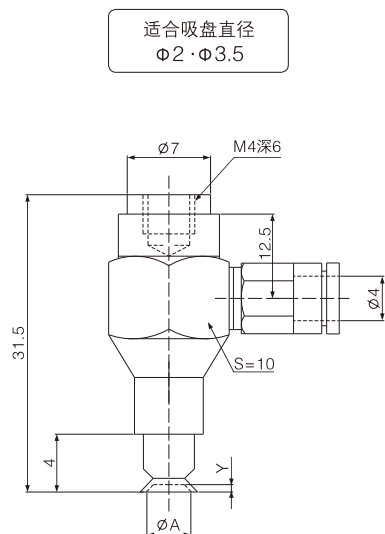
Standard Vacuum Pad With Locking Fittings And One Touch Coupling

## SPFTKM / SPFYKM Series

## Dimensions(mm)(外形尺寸图(毫米))

Lateral Direction Connection (水平方向连接)

• SPFYKM (型号)

S:Width Across Flats  
S:六角对边尺寸

SPFYKM (型号)	A	B	C	L	P	Y	Z
SPFYKM-2	2	-	-	-	-	0.5	-
SPFYKM-3.5	3.5	-	-	-	-	0.5	-
SPFYKM-5	5	37.5	6.5	-	-	0.8	-
SPFYKM-6	6	37.5	6.5	-	-	0.8	-
SPFYKM-8	8	38	7	-	-	1.2	-
SPFYKM-10	10	38.5	7.5	-	-	1.5	-
SPFYKM-15	15	48	8	14	9	1.9	M5
SPFYKM-20	20	50	10	14	9	2.3	M5
SPFYKM-25	25	54	14	20	12	3	M5
SPFYKM-30	30	52	12	20	12	2	M6
SPFYKM-35	35	54	14	20	12	3	M6
SPFYKM-40	40	54	14	20	12	3.5	M6
SPFYKM-50	50	55	15	20	12	4	M6