

### How To Order(型号表示方法)



SPF T K - 2 - N

① ② ③

① Vacuum Entry Direction  
(真空口方向)

T	Vertical (垂直方向)
Y	Lateral (水平方向)

② Pad Diameter(mm)  
(吸盘直径)

2	35
3.5	40
5	50
6	60
8	80
10	95
15	100
20	120
25	150
30	200

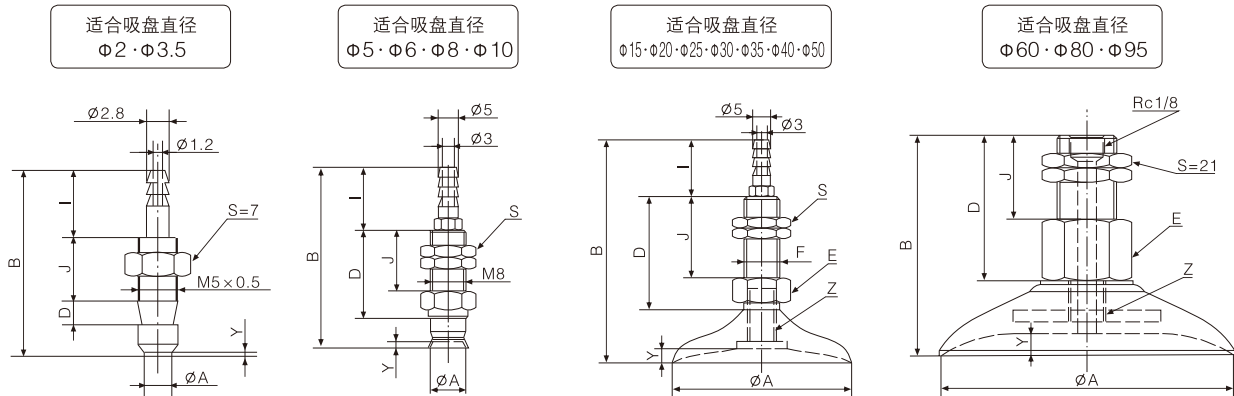
③ Pad Material  
(吸盘材料)

N	Nitrile Rubber (丁腈橡胶)
S	Silicone (硅胶)
NE	Conductive Nitrile Rubber(导电性丁腈橡胶)
SE	Conductive Silicone(导电性硅胶)

### Dimensions(mm)(外形尺寸图(毫米))

Vertical Direction Connection (垂直方向连接)

• SPFTK (型号)



S: Width Across Flats  
S: 六角对边尺寸

SPFTK (型号)	A	B	D	E	F	I	J	S	Y	Z
SPFTK-2	2	23.5	3	-	-	8.5	8	-	0.5	-
SPFTK-3.5	3.5	23.5	3	-	-	8.5	8	-	0.5	-
SPFTK-5	5	30.5	14	-	-	10	12	12H	0.8	-
SPFTK-6	6	30.5	14	-	-	10	12	12H	0.8	-
SPFTK-8	8	31	14	-	-	10	12	12H	1.2	-
SPFTK-10	10	46	22.5	10H	M8 x 1.25	16	15.5	12H	1.5	-
SPFTK-15	15	46	22	10H	M8 x 1.25	16	15	10H	1.9	M5
SPFTK-20	20	48	22	10H	M10 x 1.5	16	15	10H	2.3	M5
SPFTK-25	25	62	32	14H	M10 x 1.5	16	20	14H	3.0	M6
SPFTK-30	30	60	32	14H	M10 x 1.5	16	20	14H	2.0	M6
SPFTK-35	35	62	32	14H	M10 x 1.5	16	20	14H	3.0	M6
SPFTK-40	40	62	32	14H	M10 x 1.5	16	20	14H	3.5	M6
SPFTK-50	50	63	32	14H	M10 x 1.5	16	20	14H	4.0	M8
SPFTK-60	60	58.5	40	21H	-	-	23	-	5.0	M10 x 1.25
SPFTK-80	80	60.5	40	21H	-	-	23	-	6.0	M10 x 1.25
SPFTK-95	95	61	40	21H	-	-	23	-	6.0	M10 x 1.25

## 标准吸盘固定金属底座

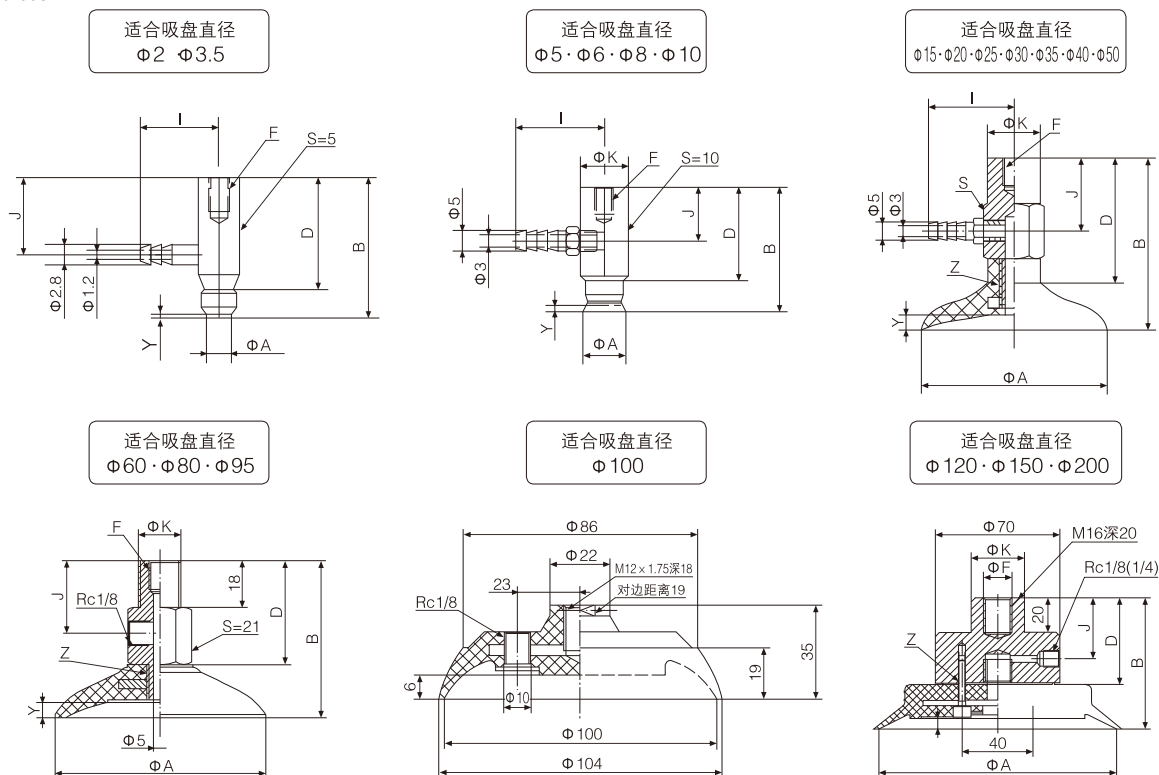
AIRBEST Series

## Standard Vacuum Pad With Locking Fittings

## SPFTK / SPFYK Series

## Dimensions(mm)(外形尺寸图(毫米))

• SPFYK



S:Width Across Flats  
S:六角对边尺寸

SPFYK (型号)	A	B	D	S	F	I	J	K	Y	Z
SPFYK-2	2	20	16	-	M3depth5	11	11	-	0.5	-
SPFYK-3.5	3.5	20	16	-	M3depth5	11	11	-	0.5	-
SPFYK-5	5	29	22.5	-	M4depth6	21	13	10	0.8	-
SPFYK-6	6	29	22.5	-	M4depth6	21	13	10	0.8	-
SPFYK-8	8	29.5	22.5	-	M4depth6	21	13	10	1.2	-
SPFYK-10	10	30	22.5	-	M4depth6	21	13	10	1.5	-
SPFYK-15	15	30	22	-	M4depth6	21	14	10	1.9	M5
SPFYK-20	20	32	22	-	M4depth6	21	14	10	2.3	M5
SPFYK-25	25	46	32	14H	M6depth8	23	20	12	3.0	M6
SPFYK-30	30	44	32	14H	M6depth8	23	20	12	2.0	M6
SPFYK-35	35	46	32	14H	M6depth8	23	20	12	3.0	M6
SPFYK-40	40	46	32	14H	M6depth8	23	20	12	3.5	M6
SPFYK-50	50	47	32	14H	M6depth8	23	20	12	4.0	M8
SPFYK-60	60	58.5	40	-	M8depth11	-	28	17	5.0	M10×1.25
SPFYK-80	80	60.5	40	-	M8depth11	-	28	17	6.0	M10×1.25
SPFYK-95	95	61	40	-	M8depth11	-	28	17	6.0	M10×1.25
SPFYK-100	-	-	-	-	-	-	-	-	-	-
SPFYK-120	120	75.5	50	-	M16depth20	-	38	30	6.0	4-M8
SPFYK-150	150	82.5	50	-	M16depth20	-	38	30	9.0	4-M8
SPFYK-200	200	87.5	50	-	M16depth20	-	38	30	13	4-M8