



How To Order(型号表示方法)

SPFTS- 10 - 4 - N

① ② ③

① Pad Diameter(吸盘直径)(mm)

2	25
3.5	30
5	35
6	40
8	50
10	60
15	80
20	95

② Stroke(行程)(mm)

2.5	15
3	20
4	25
5	30
6	50
10	70

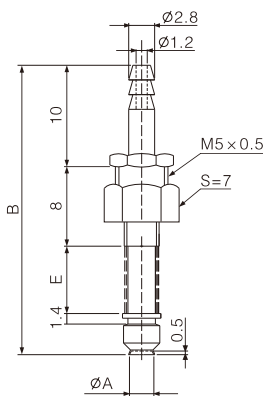
③ Pad Material(吸盘材料)

N	Nitrile Rubber (丁腈橡胶)
S	Silicone (硅胶)
NE	Nitrile Rubber ESD (导电性丁腈橡胶)
SE	Silicone ESD (导电性硅胶)

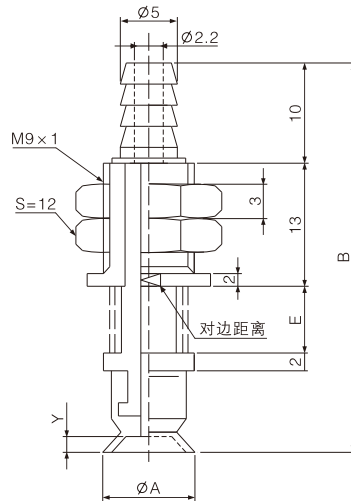
Dimensions(mm)(外形尺寸图(毫米))

• SPFTS (型号)

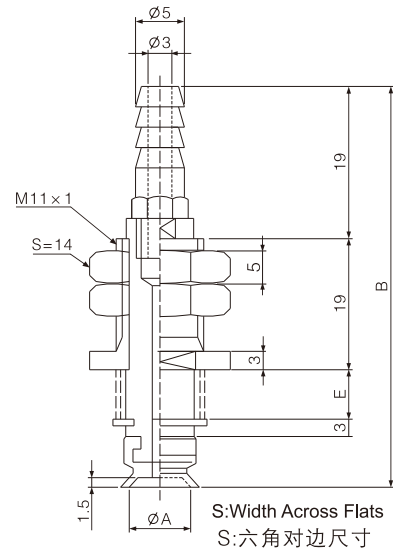
适合吸盘直径
Φ2·Φ3.5



适合吸盘直径
Φ5·Φ6·Φ8



适合吸盘直径
Φ10



SPFTS (型号)	A	B	E	Y
SPFTS-2-2.5	2	28.5	5.1	-
SPFTS-2-5	2	33.5	10.1	-
SPFTS-3.5-2.5	3.5	28.5	5.1	-
SPFTS-3.5-5	3.5	33.5	10.1	-
SPFTS-5-3	5	37.5	6	0.8
SPFTS-5-10	5	51.5	20	0.8
SPFTS-5-15	5	61.5	30	0.8
SPFTS-5-25	5	61.5	50	0.8
SPFTS-6-3	6	37.5	6	0.8
SPFTS-6-10	6	51.5	20	0.8

SPFTS (型号)	A	B	E	Y
SPFTS-6-15	6	61.5	30	0.8
SPFTS-6-25	6	81.5	50	0.8
SPFTS-8-3	6	38	6	1.2
SPFTS-8-10	8	52	20	1.2
SPFTS-8-15	8	62	30	1.2
SPFTS-8-25	8	82	50	1.2
SPFTS-10-4	10	56.5	8	1.5
SPFTS-10-10	10	68.5	20	1.5
SPFTS-10-20	10	88.5	40	1.5
SPFTS-10-30	10	108.5	60	1.5

标准立向缓冲吸盘组

AIRBEST Series

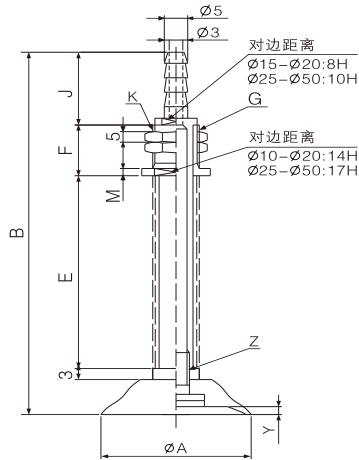
Standard Vacuum Pad Group With Spring Type Fittings

SPFTS Series

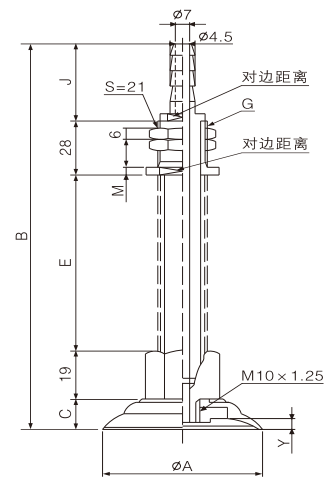
Dimensions(mm)(外形尺寸图(毫米))

• SPFTS

适合吸盘直径
 $\phi 15 \cdot \phi 20 \cdot \phi 25 \cdot \phi 30 \cdot \phi 35 \cdot \phi 40 \cdot \phi 50$



适合吸盘直径
 $\phi 60 \cdot \phi 80 \cdot \phi 95$



S: Width Across Flats
 S: 六角对边尺寸

SPFTS (型号)	A	B	E	F	J	S	Y	Z
SPFTS-15-4	15	54	8	19	16	14H	1.9	M5
SPFTS-15-10	15	66	20	19	16	14H	1.9	M5
SPFTS-15-20	15	86	40	19	16	14H	1.9	M5
SPFTS-15-30	15	106	60	19	16	14H	1.9	M5
SPFTS-20-4	20	56	8	19	16	14H	2.3	M5
SPFTS-20-10	20	68	20	19	16	14H	2.3	M5
SPFTS-20-20	20	88	40	19	16	14H	2.3	M5
SPFTS-20-30	20	108	60	19	16	14H	2.3	M5
SPFTS-25-6	25	71	13	24	17	17H	3.0	M6
SPFTS-25-15	25	88	30	24	17	17H	3.0	M6
SPFTS-25-30	25	118	60	24	17	17H	3.0	M6
SPFTS-25-50	25	158	100	24	17	17H	3.0	M6
SPFTS-30-6	30	69	13	24	17	17H	2.0	M6
SPFTS-30-15	30	86	30	24	17	17H	2.0	M6
SPFTS-30-30	30	116	60	24	17	17H	2.0	M6
SPFTS-30-50	30	156	100	24	17	17H	2.0	M6
SPFTS-35-6	35	71	13	24	17	17H	3.0	M6
SPFTS-35-15	35	88	30	24	17	17H	3.0	M6
SPFTS-35-30	35	118	60	24	17	17H	3.0	M6
SPFTS-35-50	35	158	100	24	17	17H	3.0	M6
SPFTS-40-6	40	71	13	24	17	17H	3.5	M6
SPFTS-40-15	40	88	30	24	17	17H	3.5	M6
SPFTS-40-30	40	118	60	24	17	17H	3.5	M6
SPFTS-40-50	40	158	100	24	17	17H	3.5	M6
SPFTS-50-6	50	72	13	24	17	17H	4.0	M6
SPFTS-50-15	50	89	30	24	17	17H	4.0	M6
SPFTS-50-30	50	119	60	24	17	17H	4.0	M6
SPFTS-50-50	50	159	100	24	17	17H	4.0	M6
SPFTS-60-10	60	110.5	20	-	-	-	5.0	-
SPFTS-60-30	60	150.5	60	-	-	-	5.0	-
SPFTS-60-50	60	190.5	100	-	-	-	5.0	-
SPFTS-60-70	60	230.5	140	-	-	-	5.0	-
SPFTS-80-10	80	112.5	20	-	-	-	6.0	-
SPFTS-80-30	80	152.5	60	-	-	-	6.0	-
SPFTS-80-50	80	192.5	100	-	-	-	6.0	-
SPFTS-80-70	80	232.5	140	-	-	-	6.0	-
SPFTS-95-10	93	113	20	-	-	-	6.0	-
SPFTS-95-30	93	153	60	-	-	-	6.0	-
SPFTS-95-50	93	193	100	-	-	-	6.0	-
SPFTS-95-70	93	233	140	-	-	-	6.0	-