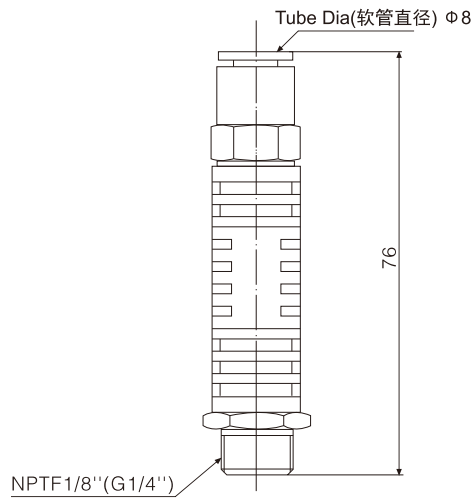
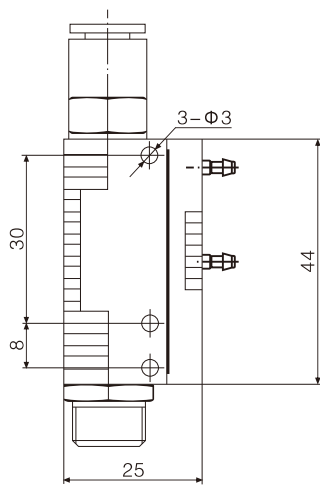




Specifications(技术规格)

Air Supply Pressure(供气压力)	Bar	1-8
Working Temperature(工作温度)	°C	0-60
Control Mode(控制模式)		Pneumatic Control(气动控制)
Action Mode(动作模式)		Normally Open(常开)
Weight(重量)	g	55

Dimensions(mm)(外形尺寸图(毫米))



Energy Saving System(节能系统)(ES)

The control valve (APS-8) works together with vacuum switch(AVS).The vacuum switch provides air control signal to open and close the control valve. It will save energy.

该气控阀可与真空开关配合使用。由真空开关提供气控信号，实现该控制阀的开启，关闭，达到节约能源之目的。

