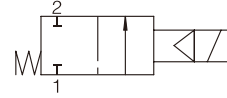
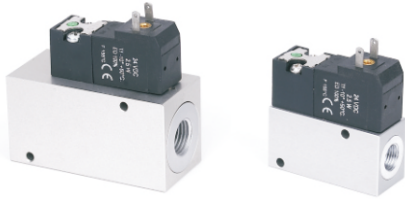


APE Series

Features(产品特点)



- The small solenoid valve normally closed can remote control compressed air with large flow, and supply compressed air when the current is switched on.
- 这种小体积的电磁阀（常闭）可实现远程控制大流量的压缩空气，通电供气。

How To Order(型号表示方法)

APE06 - G- 1 - 2

① ② ③ ④

① Model(型号)	APE06		APE08
② Function(功能)	B=NPT1/8 NPT1/4	D=NPSF1/8 NPSF1/4	G=G1/8 G1/4

③ Rated Voltage(额定电压)

1	DC24V
2	AC110V
3	AC220V

④ Lead Wire Type(导线取出方法)

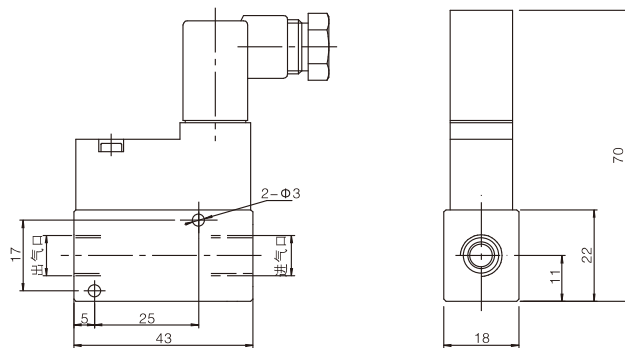
1	DIN Type Without Lead Wire(DIN型超导(无导线))
2	DIN Type With Lamp Without Lead Wire(闪烁灯DIN型超导(无导线))

Specifications(技术规格)

Air Supply Pressure(供气压力)	2.5~7bar
Ambient Temperature(周围温度)	0~60°C
Valve Body Material(阀体材质)	Aluminum(铝)
Working Voltage(使用电压)	DC: 24V AC: 110V, 220V -50/60Hz
Current Consumption(消费电流)	0.85W, 1.3W

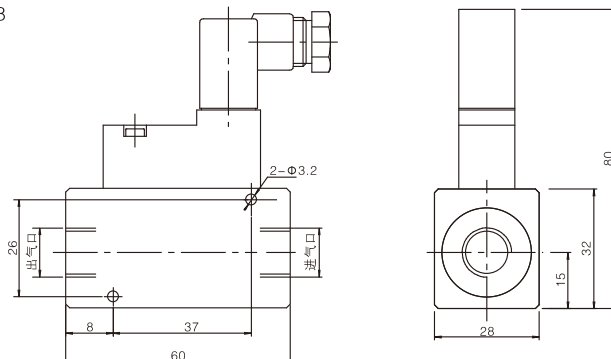
Dimensions(mm)(外形尺寸图(毫米))

APE06



Air Inlet(进气口)(Air Outlet(出气口))
B=NPT1/8
D=NPSF1/8
G=G1/8

APE08



Air Inlet(进气口)(Air Outlet(出气口))
B=NPT1/4
D=NPSF1/4
G=G1/4