

无接触式吸盘

AIRBEST Series

Non-Contact Vacuum Pad

SNT Series



Model(型号规格)

Model(型号)	Specification(规格)	Material(材质)
SNT	30	A-Aluminum(A-铝)
	40	D-Derlin(D-缩醛树脂)
	60	

△SNT30-A

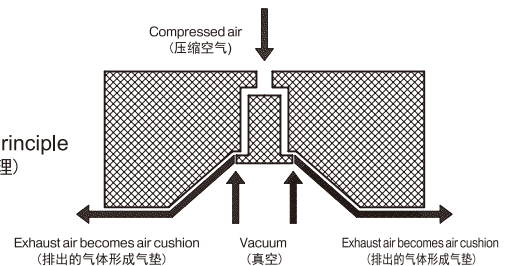
Features(产品特点)

- Built-in special vacuum generation, no need vacuum pump
- Vacuum pad floats when working, non-contact handling, particularly suitable for fragile workpieces
- Low vacuum level, high vacuum flow, very good compensation for air leakage, little deformation of the workpieces
- Easy to separate thin and porous workpieces
- 内置特殊工作原理的真空发生装置，无需另接真空发生器
- 吸盘工作时处于悬浮状态，无需接触工件表面即可搬运物体，
- 特别适用于受压易损的工件
- 真空度低，流量高，具有良好的漏气补偿性能，不易对工件造成变形
- 容易分离轻薄透气性物体

Applications(适用范围)

- Handling of fragile workpieces such as circuit boards, wafer and so on
- Handling and separation of thin and porous workpieces such as Im and other fabrication without deformation
- Handling of very porous workpieces
- 搬运受压易损工件，如各类电路板、晶片等
- 搬运和分离轻薄透气性物体，如各类薄膜、制造等不会造成变形
- 即使透气性很强的工件也能进行搬运

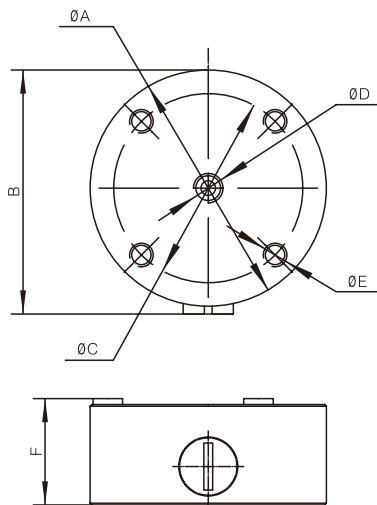
Operating Principle(工作原理)



Technical Parameter(性能参数)

Model(型号)	Lateral Lifting Force (水平提升力) N (-9kPa)	Vertical Lifting Force (垂直提升力) N (-9kPa)	Max. Vacuum Level (最大真空度) -kPa	Air Consumption (空气消耗量) l/min (5bar)	Air Supply Pressure (供气压力) (bar)	Operating Temperature (工作温度) (°C)	Weight (重量) (g)
SNT30-A	4.5	3.1	16	80	1~7	-20~80	32
SNT40-A	4	3	11	90			57
SNT60-A	7.5	5	10	140			120
SNT40-D	3	2.4	10	90			29

Dimensions(mm)(外形尺寸图(毫米))



SNT30-SNT60

Model(型号)	A	B	C	D	E	F
SNT30	32	33	22	M5	4-M4 × 8	17.8
SNT40	40	40	32	M5	4-M4 × 8	17.8
SNT60	60	61	45	M5	4-M4 × 10	17.8